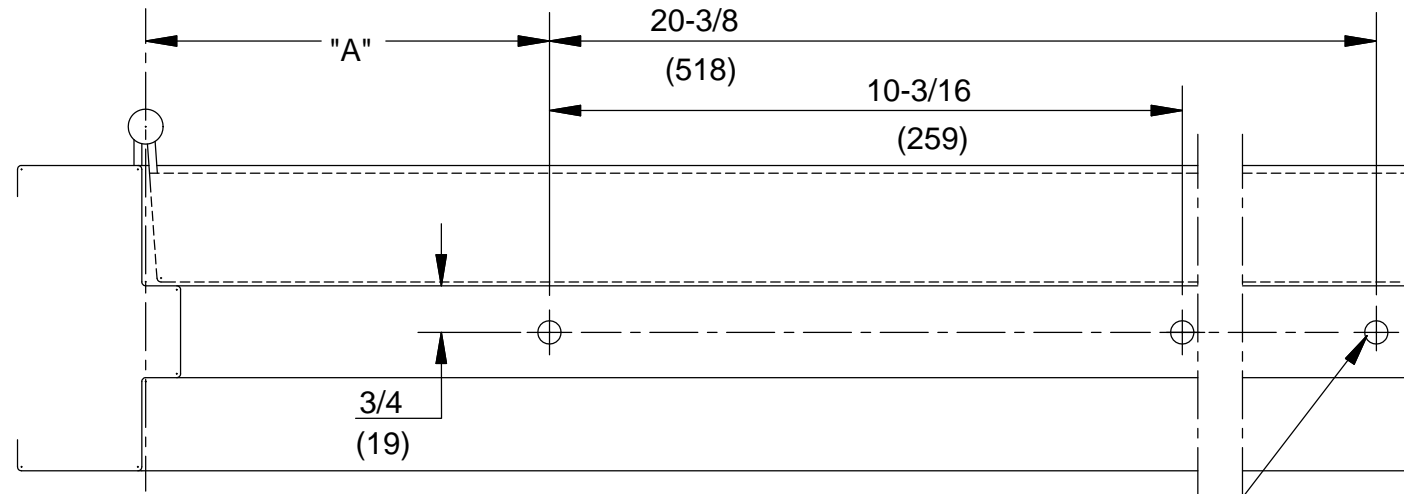
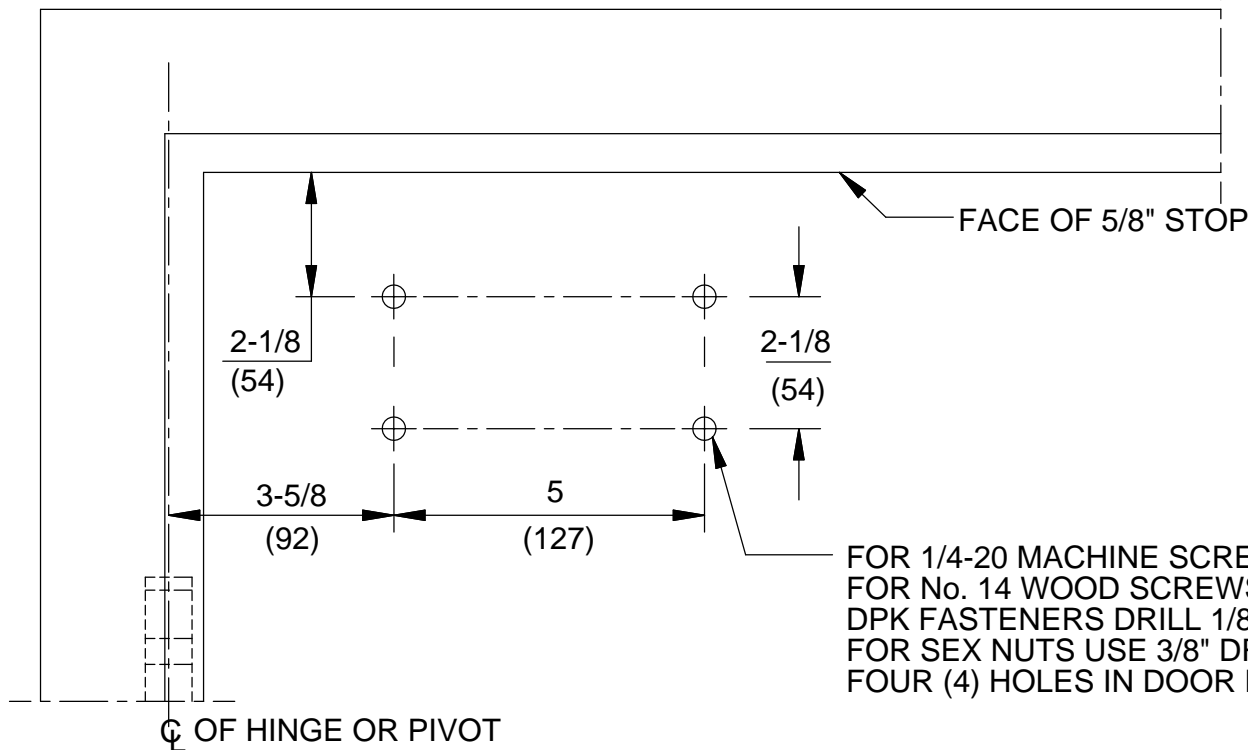


NOTES:

1. DO NOT SCALE DRAWING.
2. DIMENSIONS ARE IN INCHES/(MM).
3. LEFT HAND DOOR SHOWN.
4. CAUTION: SEX NUTS ARE REQUIRED FOR ATTACHMENT OF COMPONENTS TO UNREINFORCED DOORS AND TO WOOD OR PLASTIC FACED COMPOSITE TYPE FIRE DOORS, UNLESS AN ALTERNATIVE METHOD IS IDENTIFIED IN THE INDIVIDUAL DOOR MANUFACTURER'S LISTINGS.
5. MAXIMUM OPENING 94°, WITHOUT RUBBER STOP.
6. MAXIMUM OPENING 90° WITH RUBBER STOP.
7. SEE CATALOG FOR HOLD OPEN RANGE INFORMATION.
8. OPTIONAL DPK FASTENERS (DPK89) FOR STEEL DOOR & FRAME ONLY.

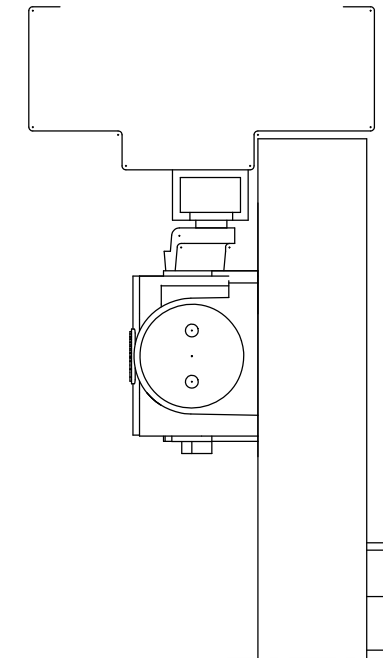


FOR 1/4-20 MACHINE SCREWS USE 7/32 DRILL  
 FOR No. 14 WOOD SCREWS USE 5/32" DRILL  
 DPK FASTENERS DRILL 1/8" PILOT HOLE  
 THREE (3) HOLES IN SOFFIT FOR TRACK



FOR 1/4-20 MACHINE SCREWS USE 7/32 DRILL & TAP  
 FOR No. 14 WOOD SCREWS USE 5/32" DRILL  
 DPK FASTENERS DRILL 1/8" PILOT HOLE  
 FOR SEX NUTS USE 3/8" DRILL  
 FOUR (4) HOLES IN DOOR FOR CLOSER

ANGLE OF OPENING	DIM "A" TRACK
85°	10-3/4 (273)
90°	9 (229)



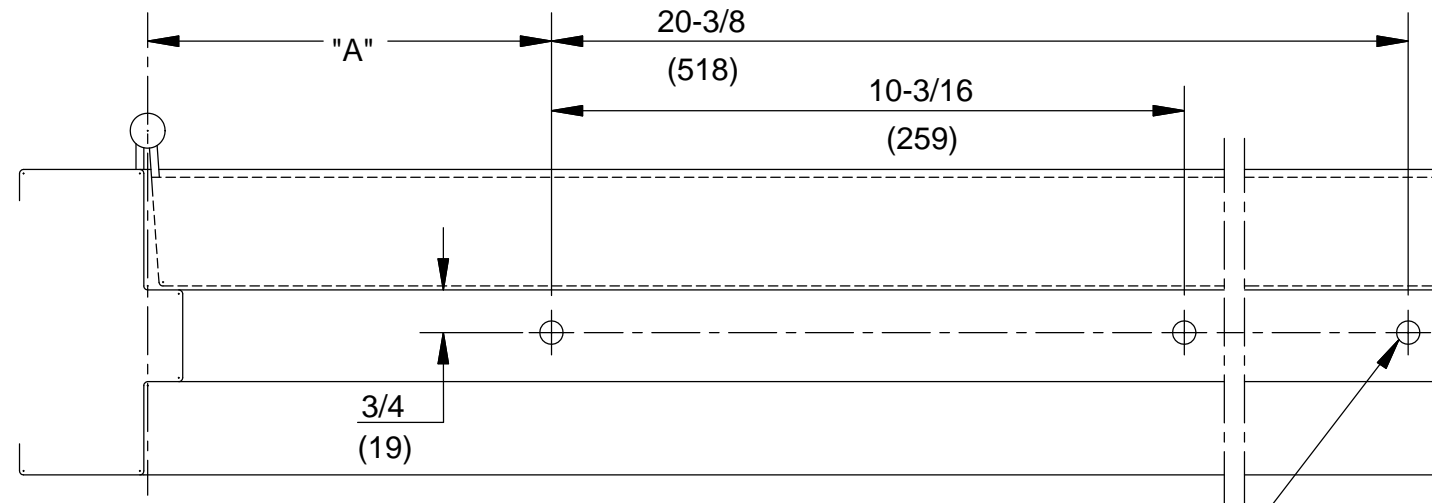
DOOR CLOSER MODELS: 8916, 8956 PT, PTH  
 PARALLEL TRACK INSTALLATION (PUSH SIDE MOUNT)



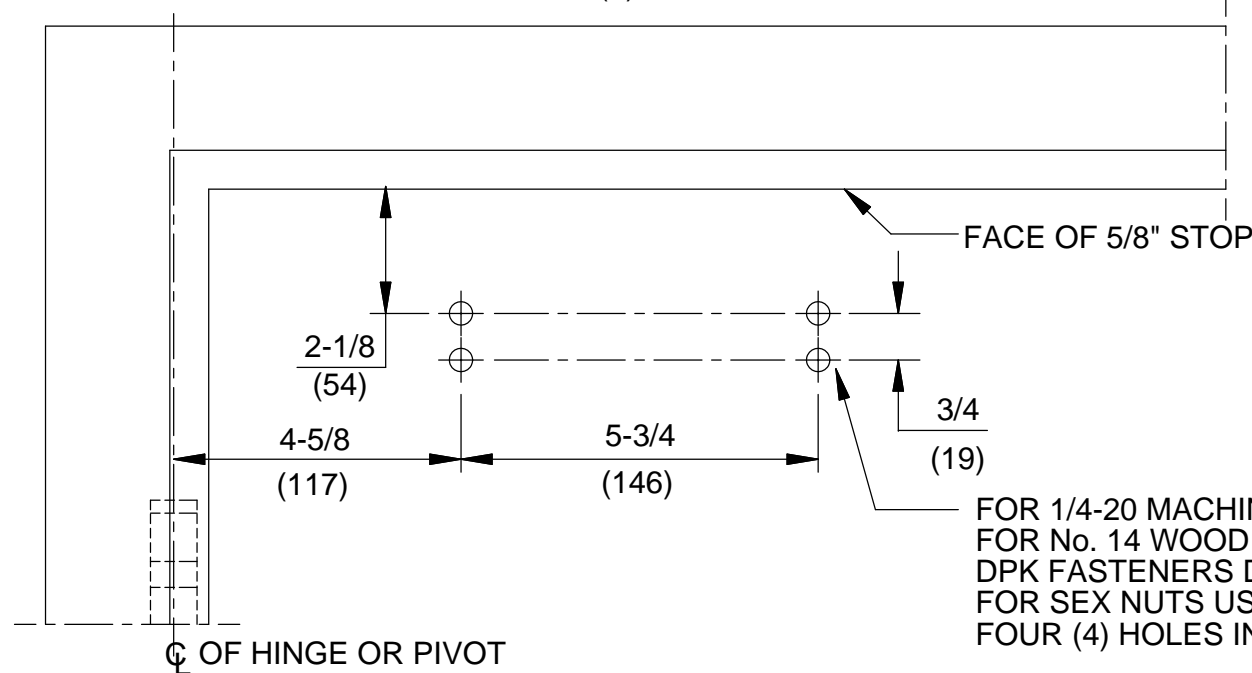
DORMA Architectural Hardware  
 Reamstown, PA 17567

NOTES:

1. DO NOT SCALE DRAWING.
2. DIMENSIONS ARE IN INCHES/(MM).
3. LEFT HAND DOOR SHOWN.
4. CAUTION: SEX NUTS ARE REQUIRED FOR ATTACHMENT OF COMPONENTS TO UNREINFORCED DOORS AND TO WOOD OR PLASTIC FACED COMPOSITE TYPE FIRE DOORS, UNLESS AN ALTERNATIVE METHOD IS IDENTIFIED IN THE INDIVIDUAL DOOR MANUFACTURER'S LISTINGS.
5. MAXIMUM OPENING 94°, WITHOUT RUBBER STOP.
6. MAXIMUM OPENING 90° WITH RUBBER STOP.
7. USE TOP FOUR HOLES TO MOUNT PLATE TO DOOR.
8. SEE CATALOG FOR HOLD OPEN RANGE INFORMATION.
9. OPTIONAL DPK FASTENERS (DPK89) FOR STEEL DOOR & FRAME ONLY.

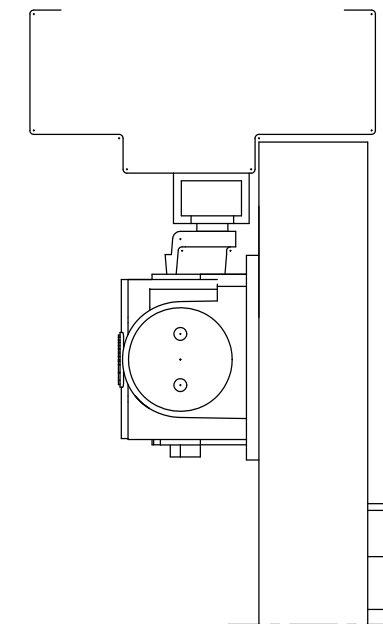


FOR 1/4-20 MACHINE SCREWS USE 7/32 DRILL  
 FOR No. 14 WOOD SCREWS USE 5/32" DRILL  
 DPK FASTENERS DRILL 1/8" PILOT HOLE  
 THREE (3) HOLES IN SOFFIT FOR TRACK



ANGLE OF OPENING	DIM "A" TRACK
85°	9 (229)
90°	6-1/2 (165)

FOR 1/4-20 MACHINE SCREWS USE 7/32 DRILL & TAP  
 FOR No. 14 WOOD SCREWS USE 5/32" DRILL  
 DPK FASTENERS DRILL 1/8" PILOT HOLE  
 FOR SEX NUTS USE 3/8" DRILL  
 FOUR (4) HOLES IN DOOR FOR PLATE



DOOR CLOSER MODELS: 8916, 8956 PT89, PT89H  
 PARALLEL TRACK INSTALLATION (PUSH SIDE MOUNT)  
 WITH PLATE BP89



DORMA Architectural Hardware  
 Reamstown, PA 17567