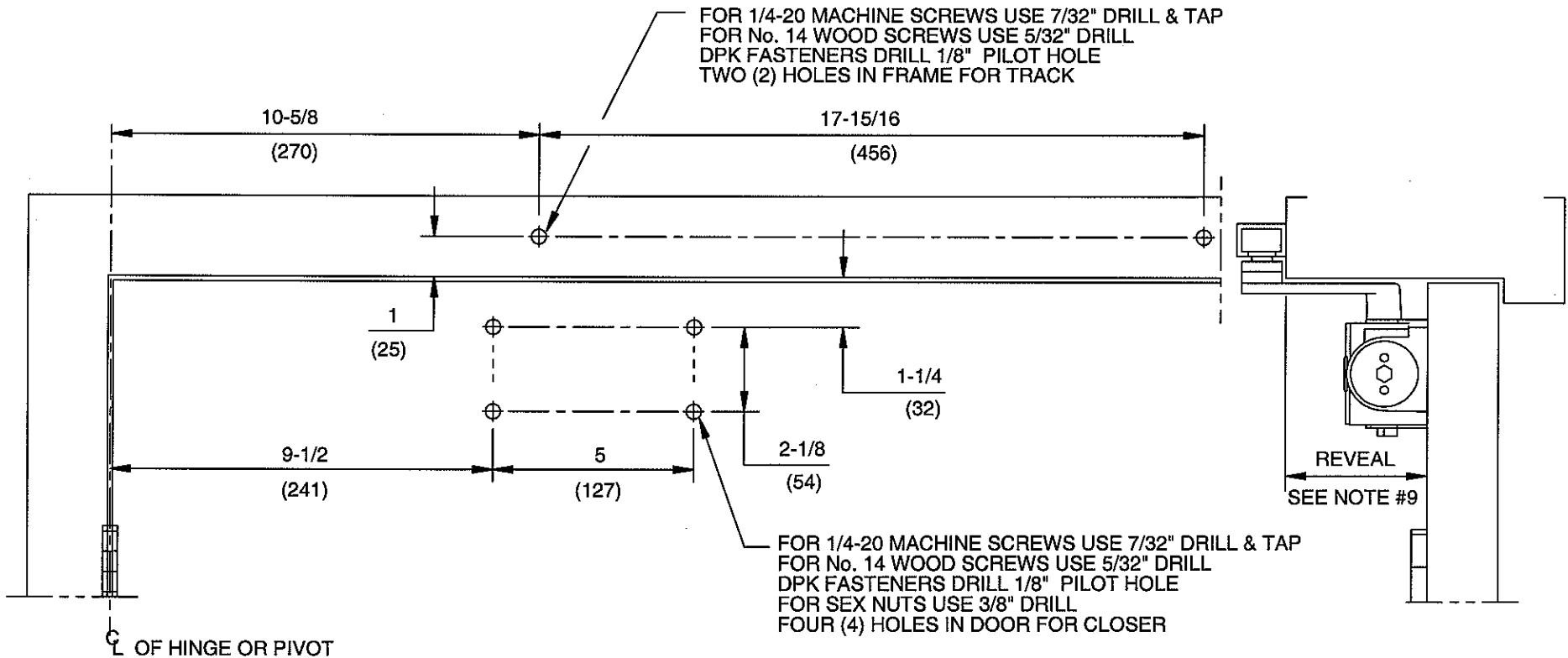


NOTES:

1. DO NOT SCALE DRAWING.
2. RIGHT HAND DOOR SHOWN.
3. DIMENSIONS ARE IN INCHES/(MM).
4. CAUTION: SEX NUTS ARE REQUIRED FOR ATTACHMENT OF COMPONENTS TO UNREINFORCED DOORS AND TO WOOD OR PLASTIC FACED COMPOSITE TYPE FIRE DOORS, UNLESS AN ALTERNATIVE METHOD IS IDENTIFIED IN THE INDIVIDUAL DOOR MANUFACTURER'S LISTINGS.
5. TEMPLATE FOR 4-1/2" WIDE HINGES OR 3/4" OFFSET PIVOTS.
6. MINIMUM DOOR WIDTH 30".
7. WHEN OPENING DOOR TO 90° A MINIMUM OF 3-3/4" OF CLEARANCE IS REQUIRED BETWEEN DOOR FACE AND WALL.
8. MAXIMUM OPENING 125°.
9. SEE CATALOG FOR REVEAL AND HOLD OPEN RANGE INFORMATION.
10. **OPTIONAL DPK FASTENERS (DPK89) FOR STEEL DOOR & FRAME ONLY.**



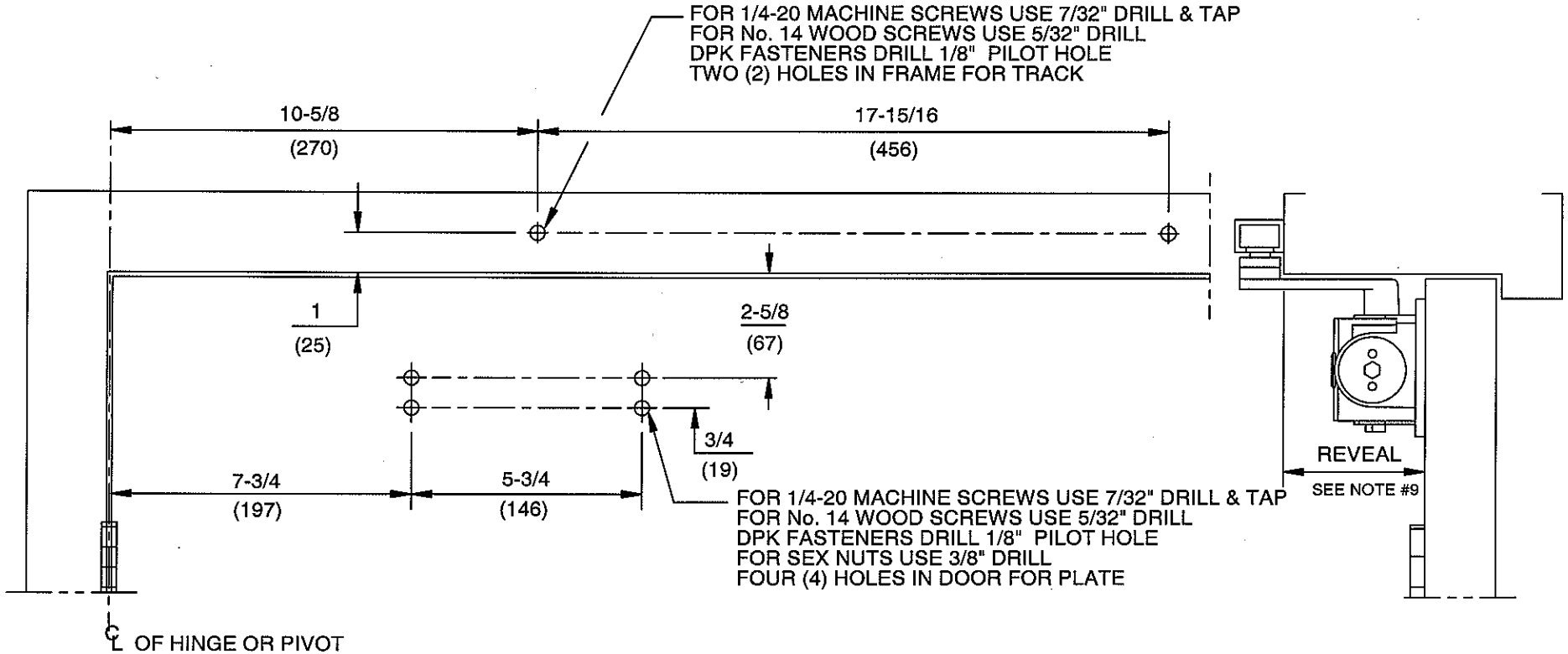
DOOR CLOSER MODELS: 8916, 8956 TDE, TDEH
 DOUBLE EGRESS TRACK INSTALLATION (PULL SIDE MOUNT)



DORMA Door Controls
 Reamstown, PA 17567

NOTES:

1. DO NOT SCALE DRAWING.
2. RIGHT HAND DOOR SHOWN.
3. DIMENSIONS ARE IN INCHES/(MM).
4. CAUTION: SEX NUTS ARE REQUIRED FOR ATTACHMENT OF COMPONENTS TO UNREINFORCED DOORS AND TO WOOD OR PLASTIC FACED COMPOSITE TYPE FIRE DOORS, UNLESS AN ALTERNATIVE METHOD IS IDENTIFIED IN THE INDIVIDUAL DOOR MANUFACTURER'S LISTINGS.
5. TEMPLATE FOR 4-1/2" WIDE HINGES OR 3/4" OFFSET PIVOTS.
6. MINIMUM DOOR WIDTH 30".
7. WHEN OPENING DOOR TO 90° A MINIMUM OF 3-3/4" OF CLEARANCE IS REQUIRED BETWEEN DOOR FACE AND WALL.
8. MAXIMUM OPENING 125°.
9. SEE CATALOG FOR REVEAL AND HOLD OPEN RANGE INFORMATION.
10. USE BOTTOM FOUR HOLES TO MOUNT PLATE TO DOOR.
11. **OPTIONAL DPK FASTENERS (DPK89) FOR STEEL DOOR & FRAME ONLY.**



DOOR CLOSER MODELS: 8916, 8956 TDE, TDEH
 DOUBLE EGRESS TRACK INSTALLATION (PULL SIDE MOUNT)
 WITH PLATE BP89



DORMA Door Controls
 Reamstown, PA 17567