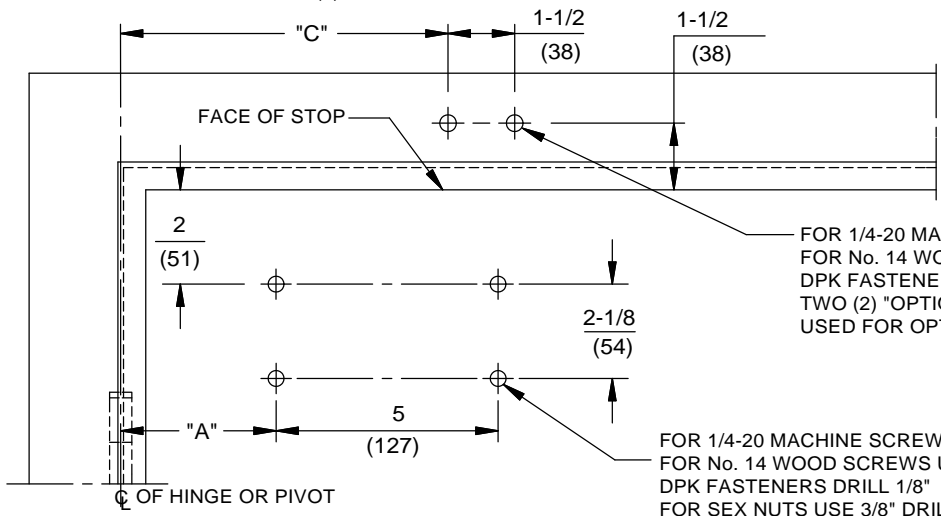


FOR 1/4-20 MACHINE SCREWS USE 7/32" DRILL & TAP
 FOR No. 14 WOOD SCREWS USE 5/32" DRILL
 DPK FASTENERS DRILL 1/8" PILOT HOLE
 FOUR (4) HOLES IN SOFFIT FOR SOFFIT PLATE

*IMPORTANT: CHOOSE APPROPRIATE FIFTH HOLE LOCATION FOR SPACER BLOCK, IN ACCORDANCE WITH FRAME WIDTH. ONE (1) HOLE IN FRAME FOR BLOCK



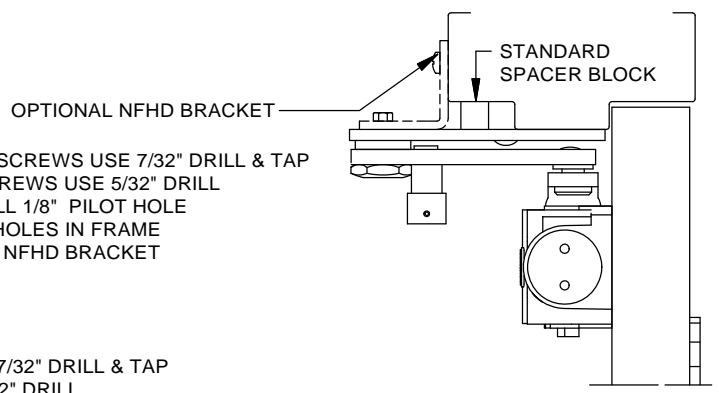
FOR 1/4-20 MACHINE SCREWS USE 7/32" DRILL & TAP
 FOR No. 14 WOOD SCREWS USE 5/32" DRILL
 DPK FASTENERS DRILL 1/8" PILOT HOLE
 TWO (2) "OPTIONAL" HOLES IN FRAME USED FOR OPTIONAL NFHD BRACKET

FOR 1/4-20 MACHINE SCREWS USE 7/32" DRILL & TAP
 FOR No. 14 WOOD SCREWS USE 5/32" DRILL
 DPK FASTENERS DRILL 1/8" PILOT HOLE
 FOR SEX NUTS USE 3/8" DRILL
 FOUR (4) HOLES IN DOOR FOR CLOSER

ANGLE OF OPENING HOLD OPEN	DIM. "A" CLOSER	DIM. "B" SOFFIT PLATE	DIM. "C" (NFHD) BRACKET OPTIONAL
TO 100°	6-7/8	10-5/16	11-3/16
H.O. 90°	(175)	(262)	(284)
TO 180°	3-1/4	6-11/16	7-9/16
H.O. 123°	(83)	(170)	(192)

NOTES:

1. DO NOT SCALE DRAWING.
2. DIMENSIONS ARE IN INCHES/(MM).
3. LEFT HAND DOOR SHOWN.
4. CAUTION: SEX NUTS ARE REQUIRED FOR ATTACHMENT OF COMPONENTS TO UNREINFORCED DOORS AND TO WOOD OR PLASTIC FACED COMPOSITE TYPE FIRE DOORS, UNLESS AN ALTERNATIVE METHOD IS IDENTIFIED IN THE INDIVIDUAL DOOR MANUFACTURER'S LISTINGS.
5. FOR FRAME WIDTHS 4-1/2" AND LESS USE OPTIONAL NFHD BRACKET.
6. MINIMUM DOOR WIDTH 26".
7. OPTIONAL DPK FASTENERS (DPK89) FOR STEEL DOOR & FRAME ONLY.



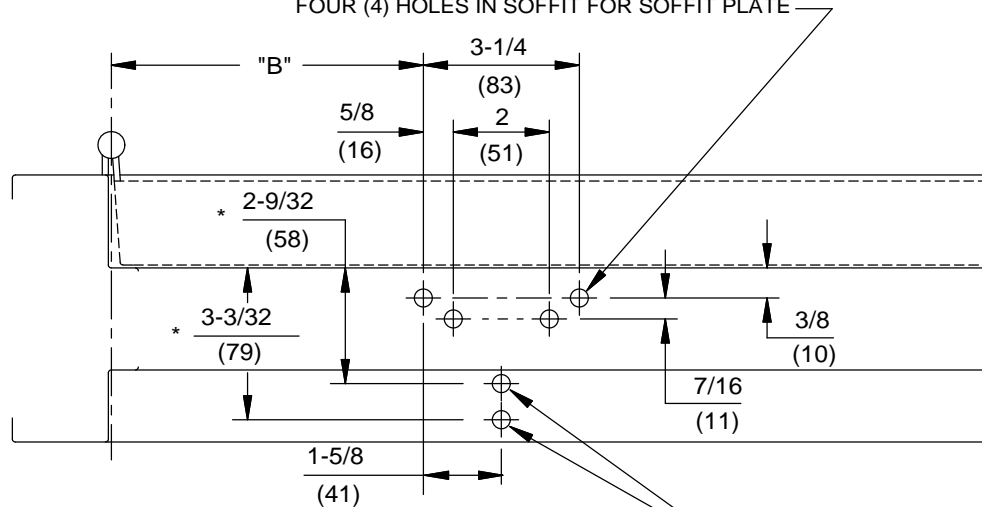
Always consult Dorma's web site for latest template at www.dorma-usa.com or call 1-800-523-8483.

DOOR CLOSER MODELS: 8916, 8956 SPA, SPAT, SPAK
 PARALLEL ARM INSTALLATION (PUSH SIDE MOUNT)
 WITH STANDARD SPACER BLOCK

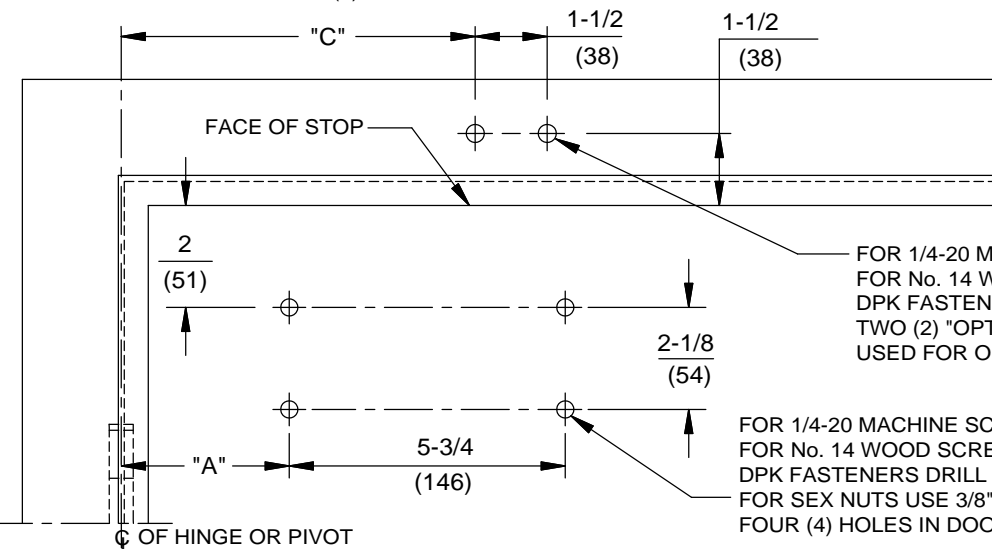


DORMA Door Controls
 Reamstown, PA 17567

FOR 1/4-20 MACHINE SCREWS USE 7/32" DRILL & TAP
 FOR No. 14 WOOD SCREWS USE 5/32" DRILL
 DPK FASTENERS DRILL 1/8" PILOT HOLE
 FOUR (4) HOLES IN SOFFIT FOR SOFFIT PLATE



*IMPORTANT: CHOOSE APPROPRIATE FIFTH HOLE LOCATION FOR SPACER BLOCK, IN ACCORDANCE WITH FRAME WIDTH. ONE (1) HOLE IN FRAME FOR BLOCK



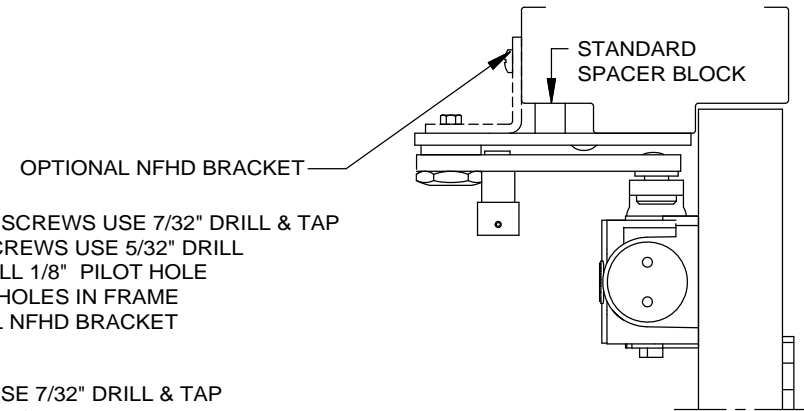
FOR 1/4-20 MACHINE SCREWS USE 7/32" DRILL & TAP
 FOR No. 14 WOOD SCREWS USE 5/32" DRILL
 DPK FASTENERS DRILL 1/8" PILOT HOLE
 TWO (2) "OPTIONAL" HOLES IN FRAME USED FOR OPTIONAL NFHD BRACKET

FOR 1/4-20 MACHINE SCREWS USE 7/32" DRILL & TAP
 FOR No. 14 WOOD SCREWS USE 5/32" DRILL
 DPK FASTENERS DRILL 1/8" PILOT HOLE
 FOR SEX NUTS USE 3/8" DRILL
 FOUR (4) HOLES IN DOOR FOR CLOSER

ANGLE OF OPENING HOLD OPEN	DIM. "A" PLATE	DIM. "B" SOFFIT PLATE	DIM. "C" (NFHD) BRACKET OPTIONAL
TO 100°	8-1/8 (206)	10-1/8 (257)	11 (279)
H.O. 90°			
TO 180°	4-1/2 (114)	6-1/2 (165)	7-3/8 (187)
H.O. 123°			

NOTES:

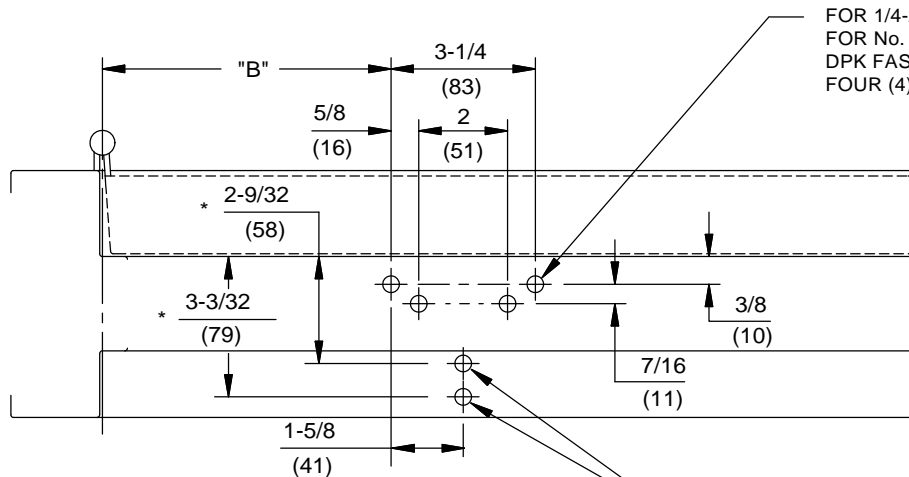
1. DO NOT SCALE DRAWING.
2. DIMENSIONS ARE IN INCHES/(MM).
3. LEFT HAND DOOR SHOWN.
4. CAUTION: SEX NUTS ARE REQUIRED FOR ATTACHMENT OF COMPONENTS TO UNREINFORCED DOORS AND TO WOOD OR PLASTIC FACED COMPOSITE TYPE FIRE DOORS, UNLESS AN ALTERNATIVE METHOD IS IDENTIFIED IN THE INDIVIDUAL DOOR MANUFACTURER'S LISTINGS.
5. FOR FRAME WIDTHS 4-1/2" AND LESS USE OPTIONAL NFHD BRACKET.
6. MINIMUM DOOR WIDTH 26".
7. OPTIONAL DPK FASTENERS (DPK89) FOR STEEL DOOR & FRAME ONLY.



DOOR CLOSER MODELS: 8916, 8956 SPA, SPAT, SPAK WITH PLATE BP89
 PARALLEL ARM INSTALLATION (PUSH SIDE MOUNT)
 WITH STANDARD SPACER BLOCK
 OPTIONAL NFHD BRACKET AND BSHD BLADE STOP SPACER BLOCK



DORMA Door Controls
 Reamstown, PA 17567



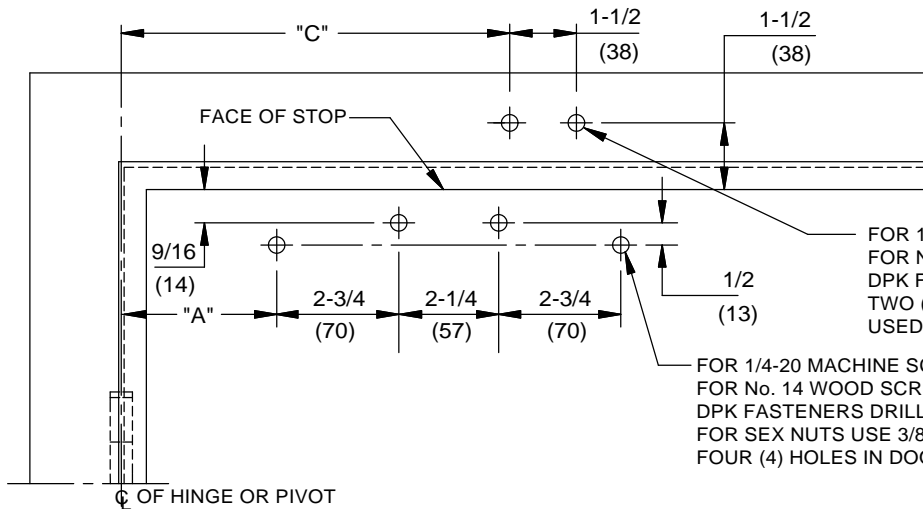
FOR 1/4-20 MACHINE SCREWS USE 7/32" DRILL & TAP
 FOR No. 14 WOOD SCREWS USE 5/32" DRILL
 DPK FASTENERS DRILL 1/8" PILOT HOLE
 FOUR (4) HOLES IN SOFFIT FOR SOFFIT PLATE

ANGLE OF OPENING HOLD OPEN	DIM. "A" CLOSER	DIM. "B" SOFFIT PLATE	DIM. "C" (NFHD) BRACKET OPTIONAL
TO 100° H.O. 90°	6-7/8 (175)	10-5/16 (262)	11-3/16 (284)
TO 180° H.O. 123°	3-1/4 (83)	6-11/16 (170)	7-9/16 (192)

NOTES:

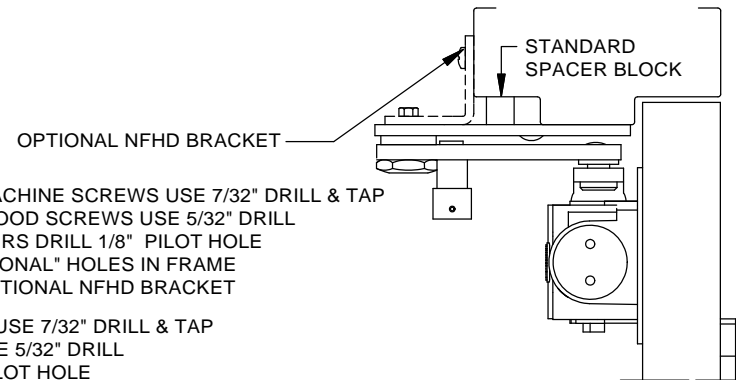
1. DO NOT SCALE DRAWING.
2. DIMENSIONS ARE IN INCHES/(MM).
3. LEFT HAND DOOR SHOWN.
4. CAUTION: SEX NUTS ARE REQUIRED FOR ATTACHMENT OF COMPONENTS TO UNREINFORCED DOORS AND TO WOOD OR PLASTIC FACED COMPOSITE TYPE FIRE DOORS, UNLESS AN ALTERNATIVE METHOD IS IDENTIFIED IN THE INDIVIDUAL DOOR MANUFACTURER'S LISTINGS.
5. FOR FRAME WIDTHS 4-1/2" AND LESS USE OPTIONAL NFHD BRACKET.
6. MINIMUM DOOR WIDTH 26".
7. OPTIONAL DPK FASTENERS (DPK89) FOR STEEL DOOR & FRAME ONLY.

*IMPORTANT: CHOOSE APPROPRIATE FIFTH HOLE LOCATION FOR SPACER BLOCK, IN ACCORDANCE WITH FRAME WIDTH.
 ONE (1) HOLE IN FRAME FOR BLOCK



FOR 1/4-20 MACHINE SCREWS USE 7/32" DRILL & TAP
 FOR No. 14 WOOD SCREWS USE 5/32" DRILL
 DPK FASTENERS DRILL 1/8" PILOT HOLE
 TWO (2) "OPTIONAL" HOLES IN FRAME USED FOR OPTIONAL NFHD BRACKET

FOR 1/4-20 MACHINE SCREWS USE 7/32" DRILL & TAP
 FOR No. 14 WOOD SCREWS USE 5/32" DRILL
 DPK FASTENERS DRILL 1/8" PILOT HOLE
 FOR SEX NUTS USE 3/8" DRILL
 FOUR (4) HOLES IN DOOR FOR PLATE



Always consult Dorma's web site for latest template at www.dorma-usa.com or call 1-800-523-8483.

DOOR CLOSER MODELS: 8916, 8956 SPA, SPAT, SPAK WITH PLATE DP89
 PARALLEL ARM INSTALLATION (PUSH SIDE MOUNT)
 FOR USE WITH STANDARD SPACER BLOCK
 AND OPTIONAL NFHD BRACKET AND BSHD BLADE STOP SPACER BLOCK



DORMA Door Controls
 Reamstown, PA 17567