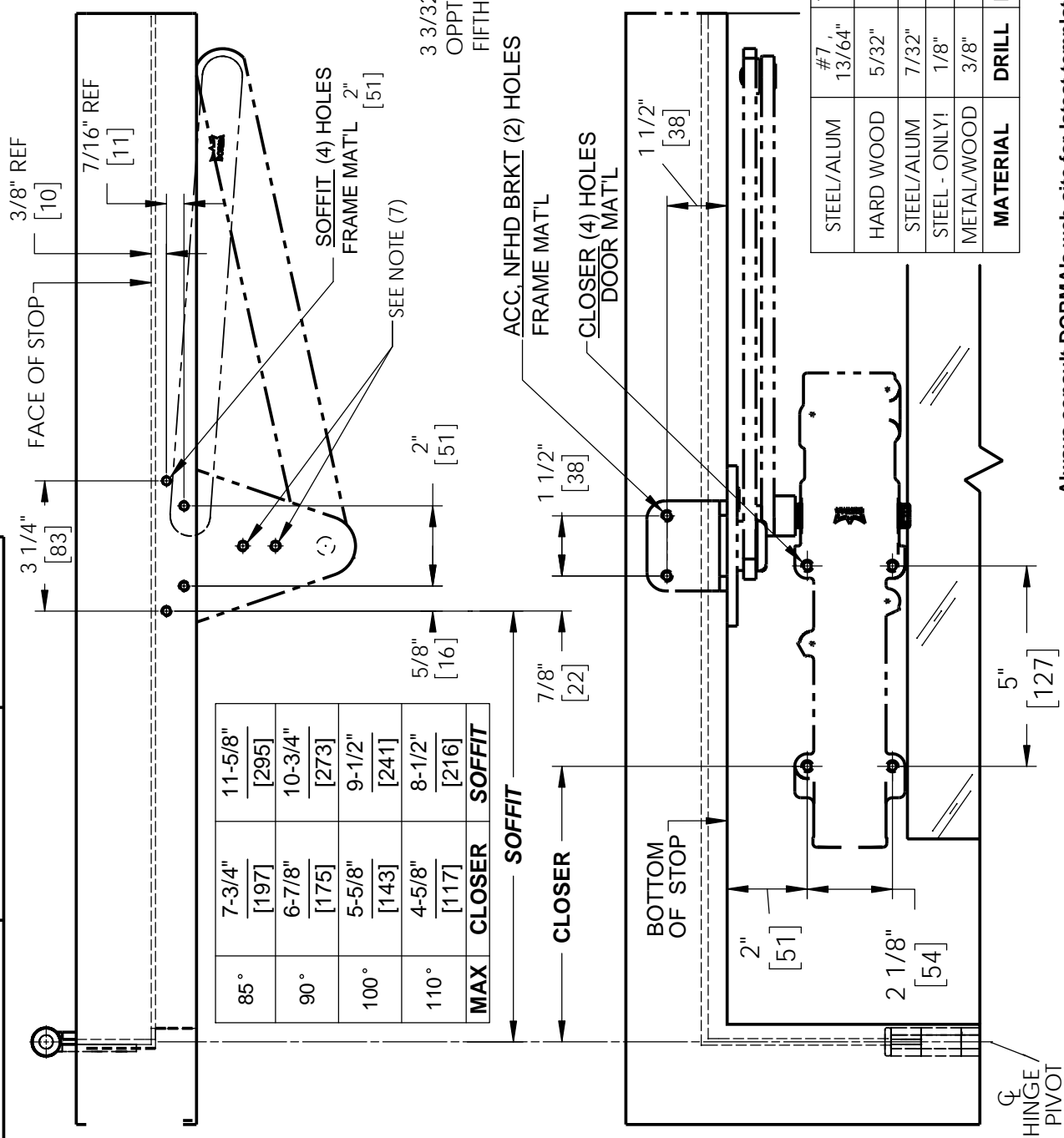


NOTES:

- 1) DRAWING IS NOT TO SCALE.
- 2) DIMENSIONS ARE IN INCHES/[MM].
- 3) LEFT HAND DOOR IS SHOWN.
- 4) SEX NUTS* ARE REQUIRED FOR ATTACHMENT OF COMPONENTS TO UNREINFORCED DOOR AND TO WOOD OR PLASTIC FACED COMPOSITE TYPE FIRE DOORS, UNLESS AN ALTERNATIVE METHOD IS IDENTIFIED IN THE INDIVIDUAL DOOR MANUFACTURER'S LISTINGS.
- 5) ACC, BSHD SPACER, REVEAL 1 1/8 MIN.
- 6) ACC, NFHD BRKT REINFORCEMENT REVEAL DEPTH 1 TO 3-5/8"
- 7) FIFTH HOLE & SPACER BLOCK REINFORCEMENT REVEAL DEPTH 2 5/8" MIN
- 8) MINIMUM DOOR WIDTH IS 26".



85°	7-3/4" [197]	11-5/8" [295]
90°	6-7/8" [175]	10-3/4" [273]
100°	5-5/8" [143]	9-1/2" [241]
110°	4-5/8" [117]	8-1/2" [216]
MAX	CLOSER	SOFFIT

STEEL/ALUM	#7, 13/64"	1/4-20 UNC MACHINE
HARD WOOD	5/32"	14 GA WOOD
STEEL/ALUM	7/32"	TPK
STEEL - ONLY!	1/8"	DPK
METAL/WOOD	3/8"	SEX-NUT*
MATERIAL	DRILL	FASTENER

Always consult DORMA's web site for latest template at www.dorma-usa.com or call 1-800-523-8483.

8916 & 8956 DOOR SAVER ARM (DS)
PUSH SIDE INSTALLATION

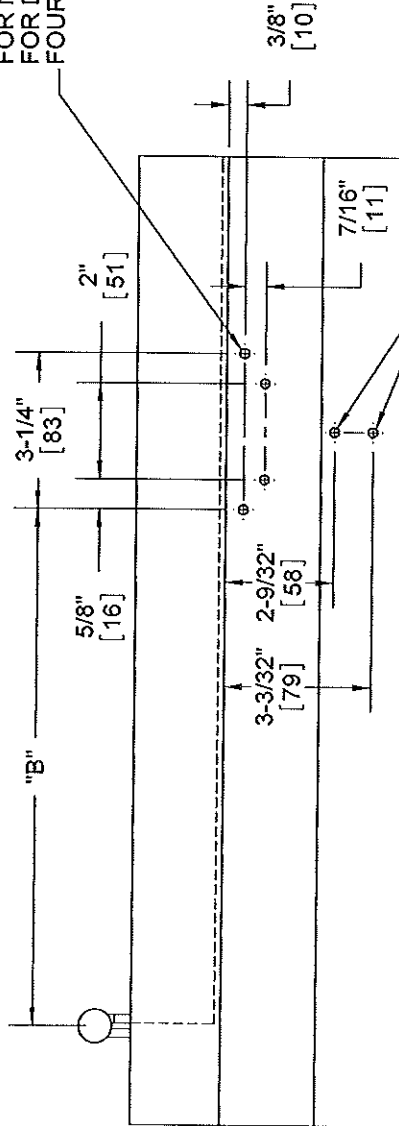


DORMA USA, Inc.
Reamstown, PA 17567

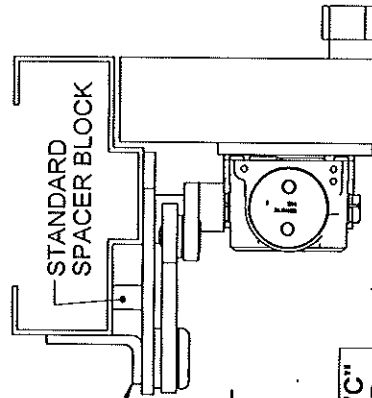
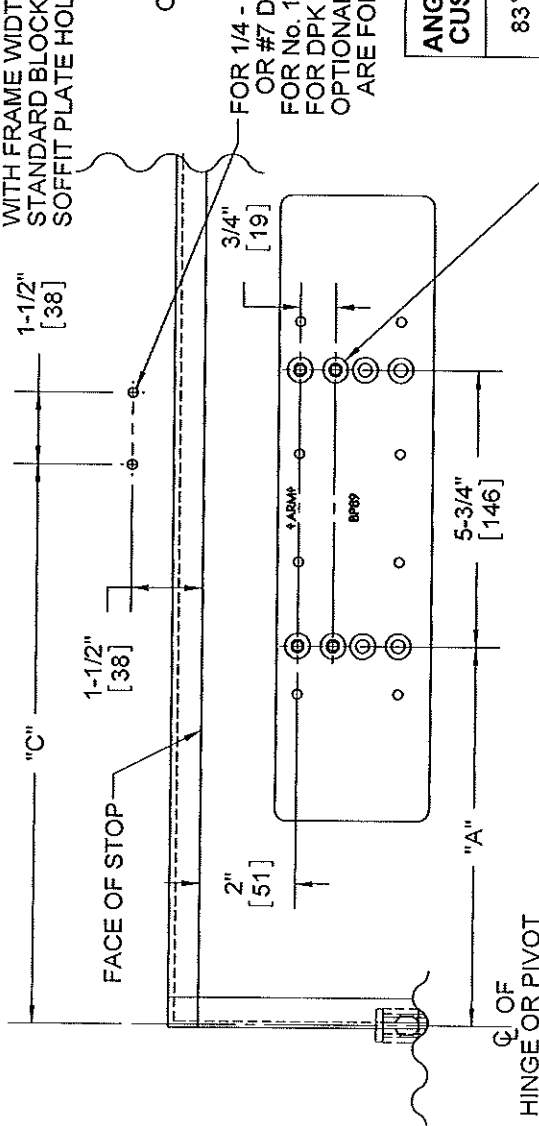
FOR 1/4 - 20 MACHINE SCREWS, USE 13/64" OR #7 DRILL & TAP
 FOR No. 14 WOOD SCREWS, USE 5/32" DRILL
 FOR DPK FASTENERS, USE 1/8" DRILL
 FOUR (4) HOLES IN FRAME ARE FOR SOFFIT PLATE

NOTES:

- 1) DO NOT SCALE THIS DRAWING
- 2) DIMENSIONS ARE IN INCHES/[MM]
- 3) LEFT HAND DOOR IS SHOWN
- 4) CAUTION: SEX NUTS ARE REQUIRED FOR ATTACHMENT OF COMPONENTS TO UNREINFORCED DOOR AND TO WOOD OR PLASTIC FACED COMPOSITE TYPE FIRE DOORS, UNLESS AN ALTERNATIVE METHOD IS IDENTIFIED IN THE INDIVIDUAL DOOR MANUFACTURER'S LISTINGS.
- 5) FOR FRAME WIDTHS 4-1/2" AND LESS, USE OPTIONAL NFHD BRACKET W/O STANDARD SPACER BLOCK
- 6) MINIMUM DOOR WIDTH IS 26"
- 7) OPTIONAL DPK FASTENERS (DPK89) FOR STEEL DOOR & FRAME ONLY



***IMPORTANT:** CHOOSE APPROPRIATE FIFTH HOLE LOCATION FOR SPACER BLOCK, IN ACCORDANCE WITH FRAME WIDTH, ONE (1) HOLE IN FRAME FOR STANDARD BLOCK. PREPARE HOLE THE SAME AS SOFFIT PLATE HOLES



OPTIONAL NFHD BRACKET

FOR 1/4 - 20 MACHINE SCREWS, USE 13/64" OR #7 DRILL & TAP
 FOR No. 14 WOOD SCREWS, USE 5/32" DRILL
 FOR DPK FASTENERS, USE 1/8" DRILL
 OPTIONAL TWO (2) HOLES IN FRAME ARE FOR NFHD BRACKET

ANGLE OF CUSHION	DIM. "A" DROP PLATE	DIM. "B" SOFFIT PLATE	DIM. "C" NFHD BRACKET
83° - 85°	8-3/4" [222]	11-5/8" [295]	12-1/2" [318]
88° - 90°	7-7/8" [200]	10-3/4" [273]	11-5/8" [295]
98° - 100°	6-5/8" [168]	9-1/2" [241]	10-3/8" [264]
108° - 110°	5-5/8" [143]	8-1/2" [216]	9-3/8" [238]

FOR 1/4 - 20 MACHINE SCREWS, USE 13/64" OR #7 DRILL & TAP
 FOR No. 14 WOOD SCREWS, USE 5/32" DRILL
 FOR DPK FASTENERS, USE 1/8" DRILL
 FOR SEX NUTS, USE 3/8" DRILL
 FOUR (4) HOLES IN DOOR ARE FOR DROP PLATE (SHOWN)

DOOR CLOSER MODELS: 8916 & 8956 DS
 DOOR SAVER (PARALLEL ARM INSTALLATION) WITH BACK PLATE BP89
 FOR USE WITH STANDARD SPACER BLOCK
 FOR USE WITH OPTIONAL NFHD BRACKET



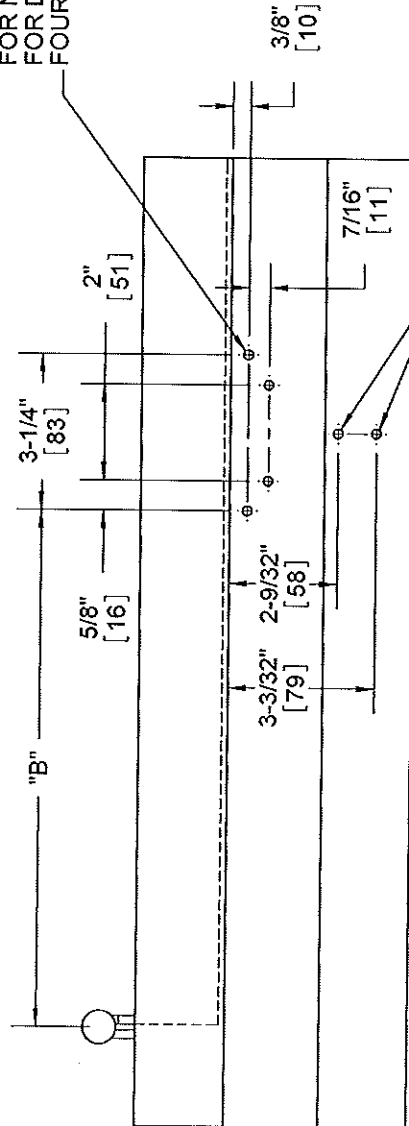
DORMA Architectural Hardware
 Reamstown, PA 17567

Always consult DORMA's web site for latest template at www.dorma-usa.com or call 1-800-523-8483.

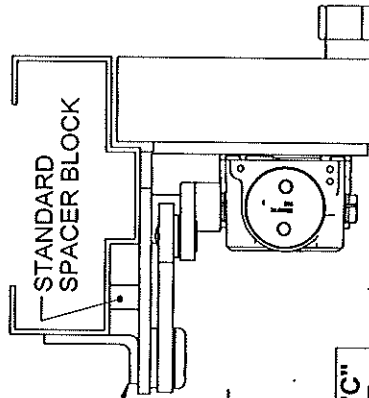
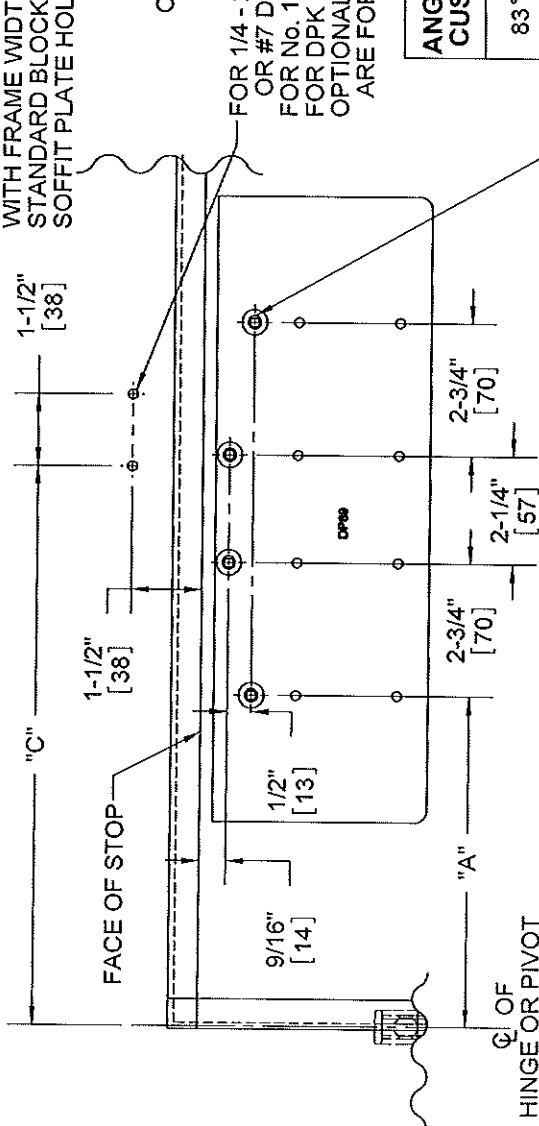
FOR 1/4" - 20 MACHINE SCREWS, USE 13/64" OR #7 DRILL & TAP
 FOR No. 14 WOOD SCREWS, USE 5/32" DRILL
 FOR DPK FASTENERS, USE 1/8" DRILL
 FOUR (4) HOLES IN FRAME ARE FOR SOFFIT PLATE

NOTES:

- 1) DO NOT SCALE THIS DRAWING
- 2) DIMENSIONS ARE IN INCHES/[MM]
- 3) LEFT HAND DOOR IS SHOWN
- 4) CAUTION: SEX NUTS ARE REQUIRED FOR ATTACHMENT OF COMPONENTS TO UNREINFORCED DOOR AND TO WOOD OR PLASTIC FACED COMPOSITE TYPE FIRE DOORS, UNLESS AN ALTERNATIVE METHOD IS IDENTIFIED IN THE INDIVIDUAL DOOR MANUFACTURER'S LISTINGS.
- 5) FOR FRAME WIDTHS 4-1/2" AND LESS, USE OPTIONAL NFHD BRACKET W/O STANDARD SPACER BLOCK
- 6) MINIMUM DOOR WIDTH IS 26"
- 7) OPTIONAL DPK FASTENERS (DPK89) FOR STEEL DOOR & FRAME ONLY



***IMPORTANT:** CHOOSE APPROPRIATE FIFTH HOLE LOCATION FOR SPACER BLOCK, IN ACCORDANCE WITH FRAME WIDTH, ONE (1) HOLE IN FRAME FOR STANDARD BLOCK. PREPARE HOLE THE SAME AS SOFFIT PLATE HOLES



OPTIONAL NFHD BRACKET

FOR 1/4" - 20 MACHINE SCREWS, USE 13/64" OR #7 DRILL & TAP
 FOR No. 14 WOOD SCREWS, USE 5/32" DRILL
 FOR DPK FASTENERS, USE 1/8" DRILL
 OPTIONAL TWO (2) HOLES IN FRAME ARE FOR NFHD BRACKET

FOR 1/4" - 20 MACHINE SCREWS, USE 13/64" OR #7 DRILL & TAP
 FOR No. 14 WOOD SCREWS, USE 5/32" DRILL
 FOR DPK FASTENERS, USE 1/8" DRILL
 FOR SEX NUTS, USE 3/8" DRILL
 FOUR (4) HOLES IN DOOR ARE FOR DROP PLATE (SHOWN)

ANGLE OF CUSHION	DIM. "A" DROP PLATE	DIM. "B" SOFFIT PLATE	DIM. "C" NFHD BRACKET
83° - 85°	7-3/4" [197]	11-5/8" [295]	12-1/2" [318]
88° - 90°	6-7/8" [175]	10-3/4" [273]	11-5/8" [295]
98° - 100°	5-5/8" [143]	9-1/2" [241]	10-3/8" [264]
108° - 110°	4-5/8" [117]	8-1/2" [216]	9-3/8" [238]

DOOR CLOSER MODELS: 8916 & 8956 DS
 DOOR SAVER (PARALLEL ARM INSTALLATION) WITH DROP PLATE DP89
 FOR USE WITH STANDARD SPACER BLOCK
 FOR USE WITH OPTIONAL NFHD BRACKET



DORMA Architectural Hardware
 Reamstown, PA 17567