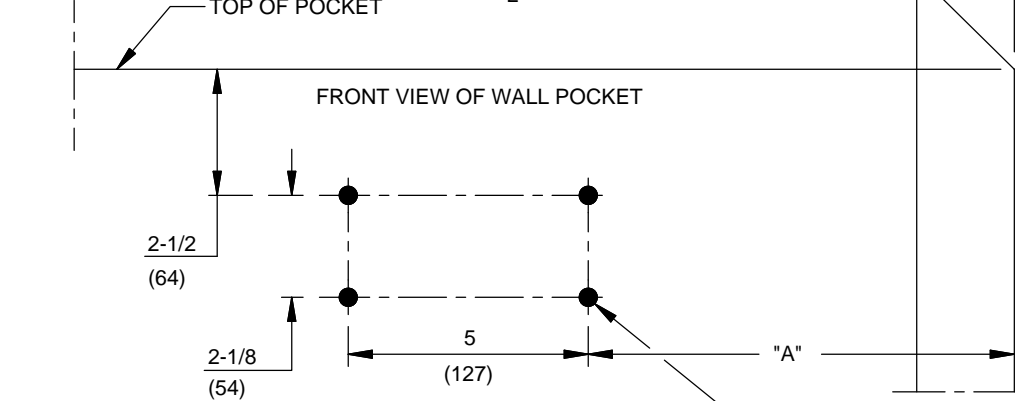
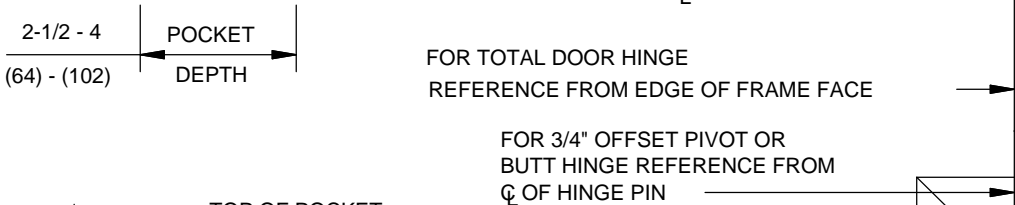


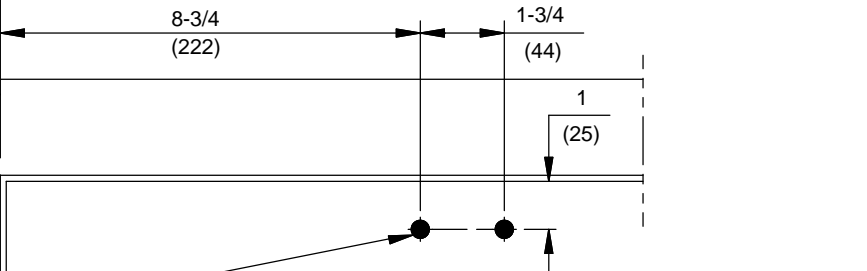
- NOTES:
1. DO NOT SCALE DRAWING.
  2. DIMENSIONS ARE IN INCHES/(MM).
  3. RIGHT HAND DOOR SHOWN.
  4. ADEQUATE REINFORCEMENT BY OTHERS REQUIRED TO INSTALL CLOSER IN POCKET.
  5. BEFORE ROTATING SPINDLE, CLOSE SWEEP AND LATCH VALVE FULLY CLOCKWISE.
  6. 4-1/2"x4-1/2" BALL BEARING BUTT HINGE, 3/4" OFFSET PIVOT, TOTAL DOOR HINGE, MARKAR FM 300 & ARCFM CONTINUOUS HINGE.

**WALL REINFORCEMENT:**  
 The wall reinforcement must be 1/4" thick steel or 3/4" thick wood and secured to a minimum of two wall studs with two screws securing the reinforcement into each stud.  
 The reinforcement may be flush on wall surface or on the interior of the wall. (FOR INTERIOR REINFORCEMENT, SCREWS MUST PROVIDE A MINIMUM OF 1/2" PENETRATION IN WOOD OR 1/4" MINIMUM PENETRATION INTO STEEL).  
 For a masonry wall, the reinforcement may be secured to the wall with four screws (ONE IN EACH CORNER) in lead anchors placed in the wall.

NOTE: IF REINFORCEMENT IS ON THE INTERIOR OF THE WALL LONGER SCREWS MAY BE REQUIRED FOR PROPER SCREW PENETRATION.



USE No.7 (0.201") DRILL AND TAP FOR 1/4-20 MACHINE SCREWS  
 USE 5/32" DRILL FOR No. 14 WOOD SCREWS  
 FOUR (4) HOLES IN WALL FOR CLOSER



USE No.7 (0.201") DRILL AND TAP FOR 1/4-20 MACHINE SCREWS  
 USE 5/32" DRILL FOR No. 14 WOOD SCREWS  
 3/8" HOLE THROUGH DOOR FOR SEX NUTS  
 TWO (2) HOLES IN DOOR FOR ARM SHOE

DIM. "A"	
10-1/8 (257)	3/4" OFFSET PIVOT, BUTT HINGE OR TOTAL DOOR HINGE
11-1/8 (283)	ARCFM83 CONTINUOUS GEAR HINGE
11-1/8 (283)	MARKAR FM-300 CONTINUOUS HINGE

