

# Removable Mullion Wall Mount Installation Instructions

## TOOLS NEEDED:

Phillips screwdriver



Pencil



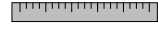
Level



Slotted screwdriver



Ruler



## OVERVIEW

**A** Wall mount bracket

**B** Fasteners (x2)  
(not supplied)

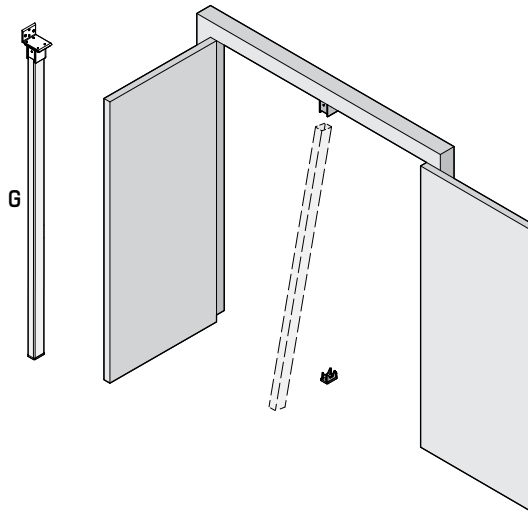
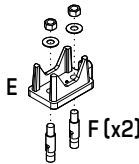
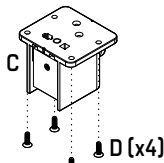
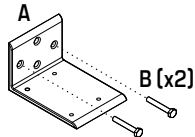
**C** Removable head cap

**D** Screws (x4)

**E** Mullion base

**F** Anchors (x2)

**G** Removable mullion



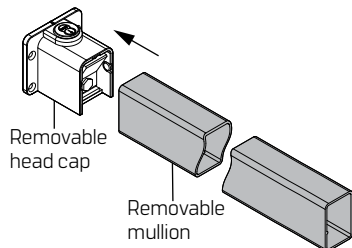
**NOTE:** Keep removable mullion out of traffic areas. Locate unit behind a door, in a recessed area, or in a corner.

**NOTE:** Use fasteners appropriate for wall construction. For hollow walls, mount bracket to wall stud.

## 1 INSERTING MULLION INTO HEAD CAP

1.1 Fully insert mullion into head cap.

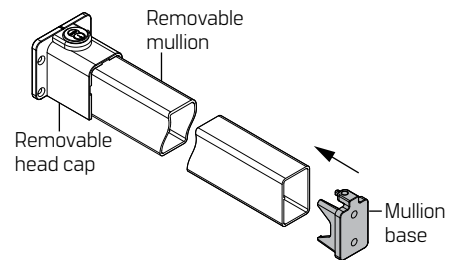
Figure 1



## 2 INSERTING MULLION BASE INTO MULLION

2.1 Insert mullion base into mullion.

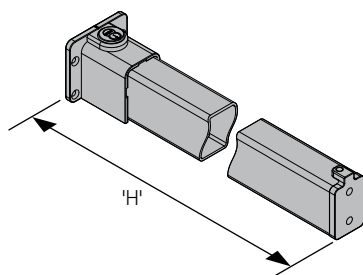
Figure 2



## 3 MEASURING HEIGHT

3.1 Measure overall height of mullion.

Figure 3



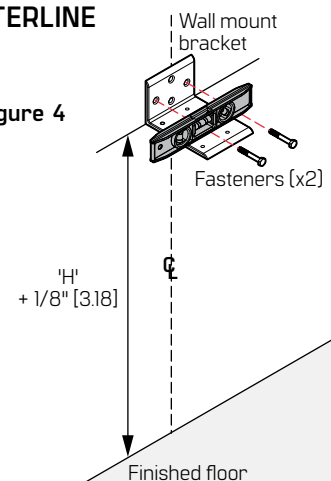
## 4 DETERMINING CENTERLINE

4.1 Determine vertical CL on wall.

4.2 Mark height plus 1/8" [3.18].

4.3 Level and mount bracket to wall.

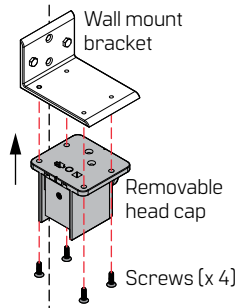
Figure 4



## 5 ATTACHING HEAD CAP TO BRACKET

- 5.1 Attach head cap to bracket.

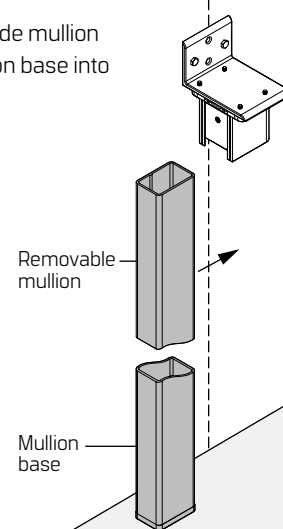
Figure 5



## 6 TEMPORARILY POSITION MULLION

- 6.1 Temporarily slide mullion including mullion base into head cap.

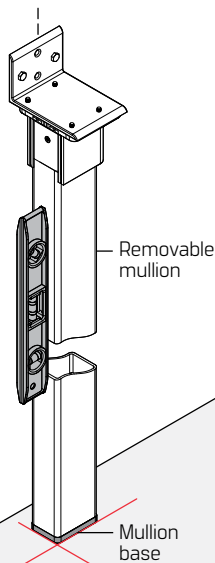
Figure 6



## 7 LEVELING MULLION MARKING MULLION BASE

- 7.1 Level mullion.  
7.2 Mark mullion base.

Figure 7



## 8 REMOVING MULLION ALIGNING MULLION BASE

- 8.1 Remove mullion.  
8.2 Align mullion base to marks on floor.  
8.3 Install anchors provided.

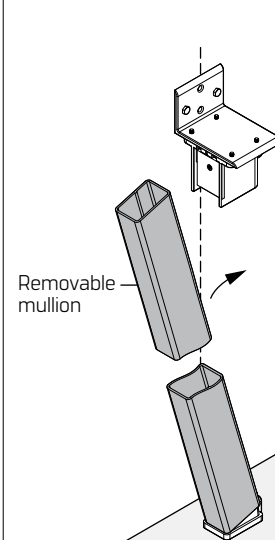
Figure 8



## 9 CHECKING INSTALLATION

- 9.1 Check installation.

Figure 9



Document translations available.  
Scan for product details and downloads.  
Call 1-800-392-5209 or visit  
<https://dhwsupport.dormakaba.com/hc/en-us>  
for assistance and warranty information.

**⚠ WARNING!** This Manufacturer advises that no lock can provide complete security by itself. This lock may be defeated by forcible or technical means, or evaded by entry elsewhere on the property. No lock can substitute for caution, awareness of your environment, and common sense. Builder's hardware is available in multiple performance grades to suit the application. In order to enhance security and reduce risk, you should consult a qualified locksmith or other security professional.