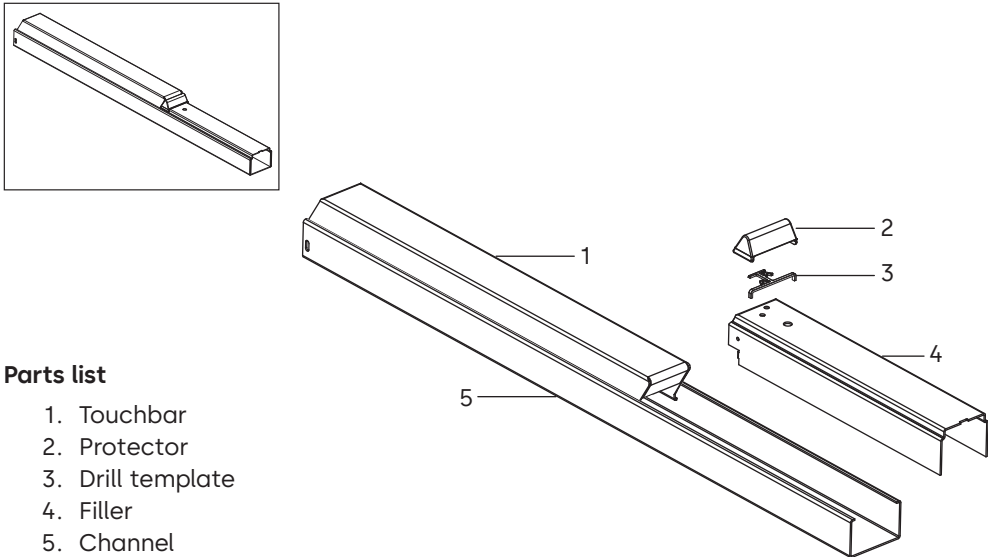


9000 series touchbar protector kit (part # C95603)

Installation Instructions



Tools required

- Drill
- 3/16" drill bit
- #2 Phillips screwdriver
- Center punch
- Marker

Parts list

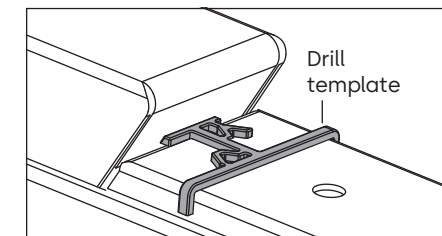
1. Touchbar
2. Protector
3. Drill template
4. Filler
5. Channel

1 Positioning template

Fig. 1

- 1.1 Place drill template on filler.
- 1.2 Position template to straddle filler with back end of template pressed against touchbar.

NOTE: Touchbar must be fully extended.



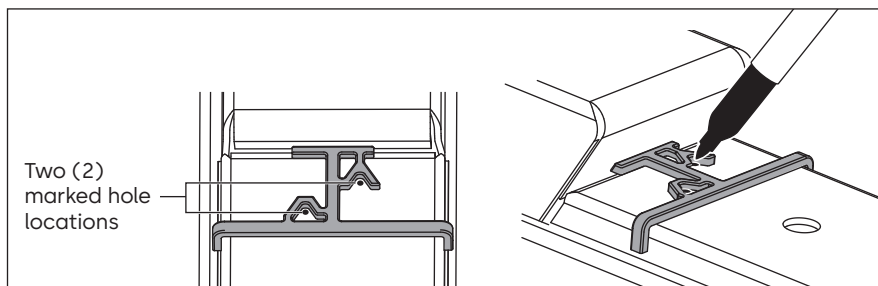
2 Marking hole locations

Fig. 2

- 2.1 Mark a point at base of each V-shaped notch to indicate mounting hole locations.

- 2.2 Discard drill template.

NOTE: Touchbar must be fully extended.



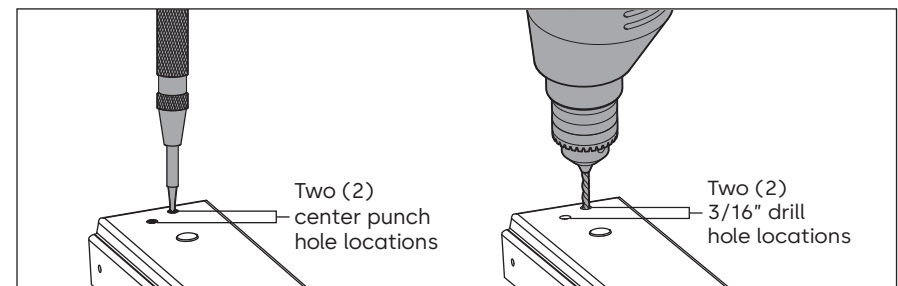
3 Drilling mounting holes

Fig. 3

- 3.1 Remove filler plate.
- 3.2 Use a center punch to mark two hole locations in preparation for drilling.

- 3.3 Drill two 3/16" mounting holes at marked hole locations.

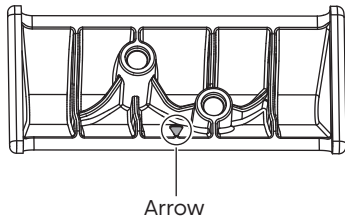
NOTE: Remove burrs from holes.



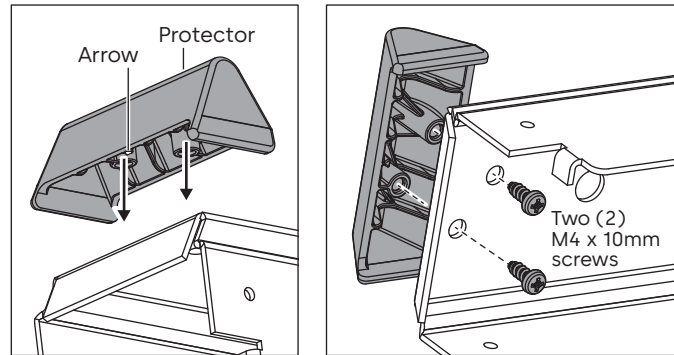
4 Installing protector

Fig. 4

- 4.1 Place protector on filler, arrow pointing to end of filler near touchbar.
- 4.2 Install protector using two provided M4 x 10mm screws with a #2 Phillips screwdriver.



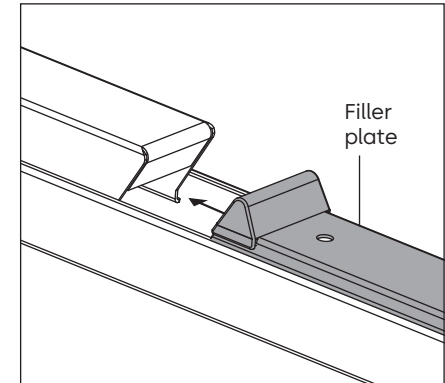
⚠ CAUTION: Hand-tighten screws; do not use a power drill. Avoid over-tightening to prevent thread stripping.



5 Re-installing filler plate

Fig. 5

- 5.1 Re-install filler plate.



English



Scan for product details and downloads.

Call 1-800-392-5209 or visit <https://dhwsupport.dormakaba.com/hc/en-us> for assistance or warranty information.

Español



Escanee para acceder a información del producto y descargas.

Llame al 1-800-392-5209 o visite <https://dhwsupport.dormakaba.com/hc/en-us> para obtener asistencia e información sobre garantía.