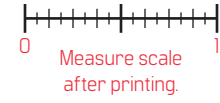


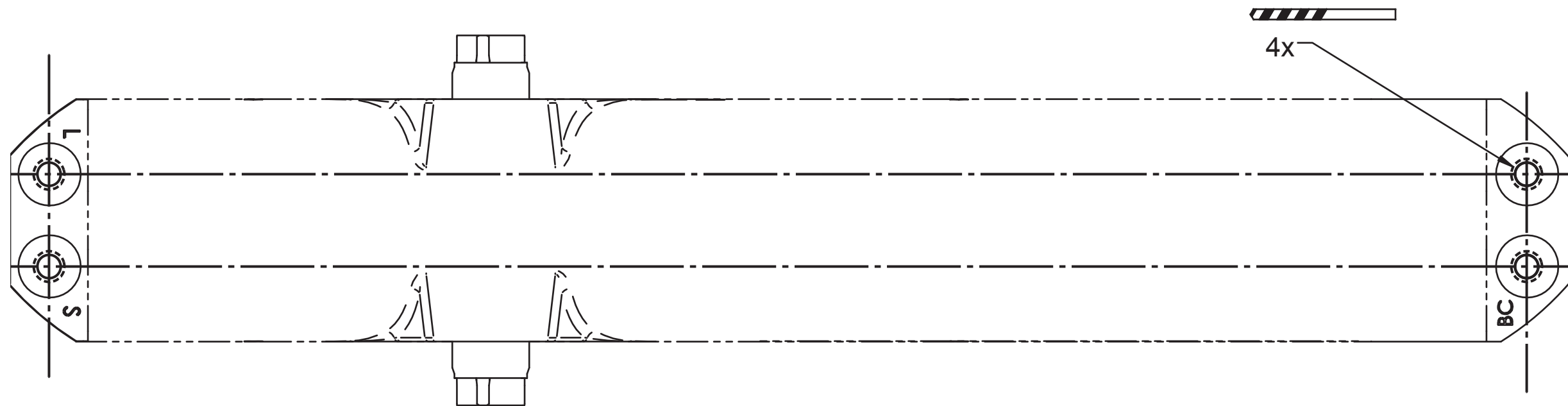
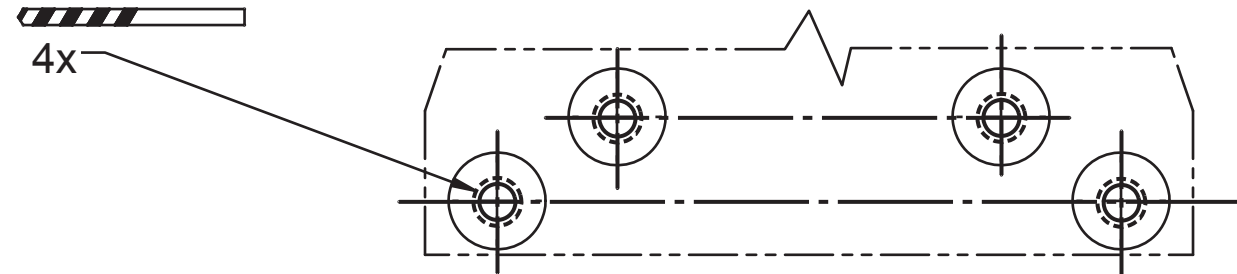
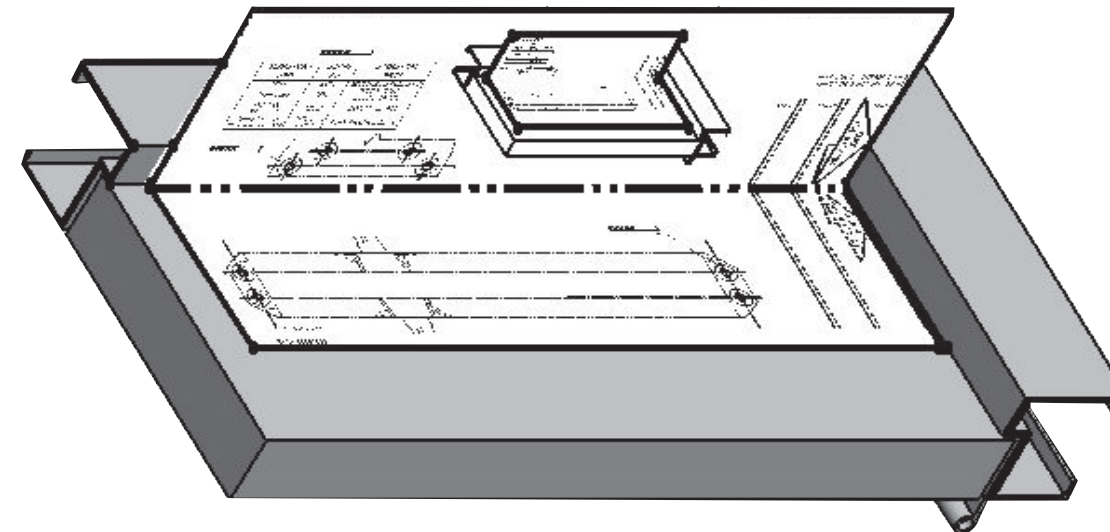
# Door Closer Models: HD7000, S-DS Parallel Mount Template/Drilling Instructions

For online instructions, assistance or warranty information:  
Call 1-800-392-5209 or visit <https://dhwsupport.dormakaba.com/hc/en-us>

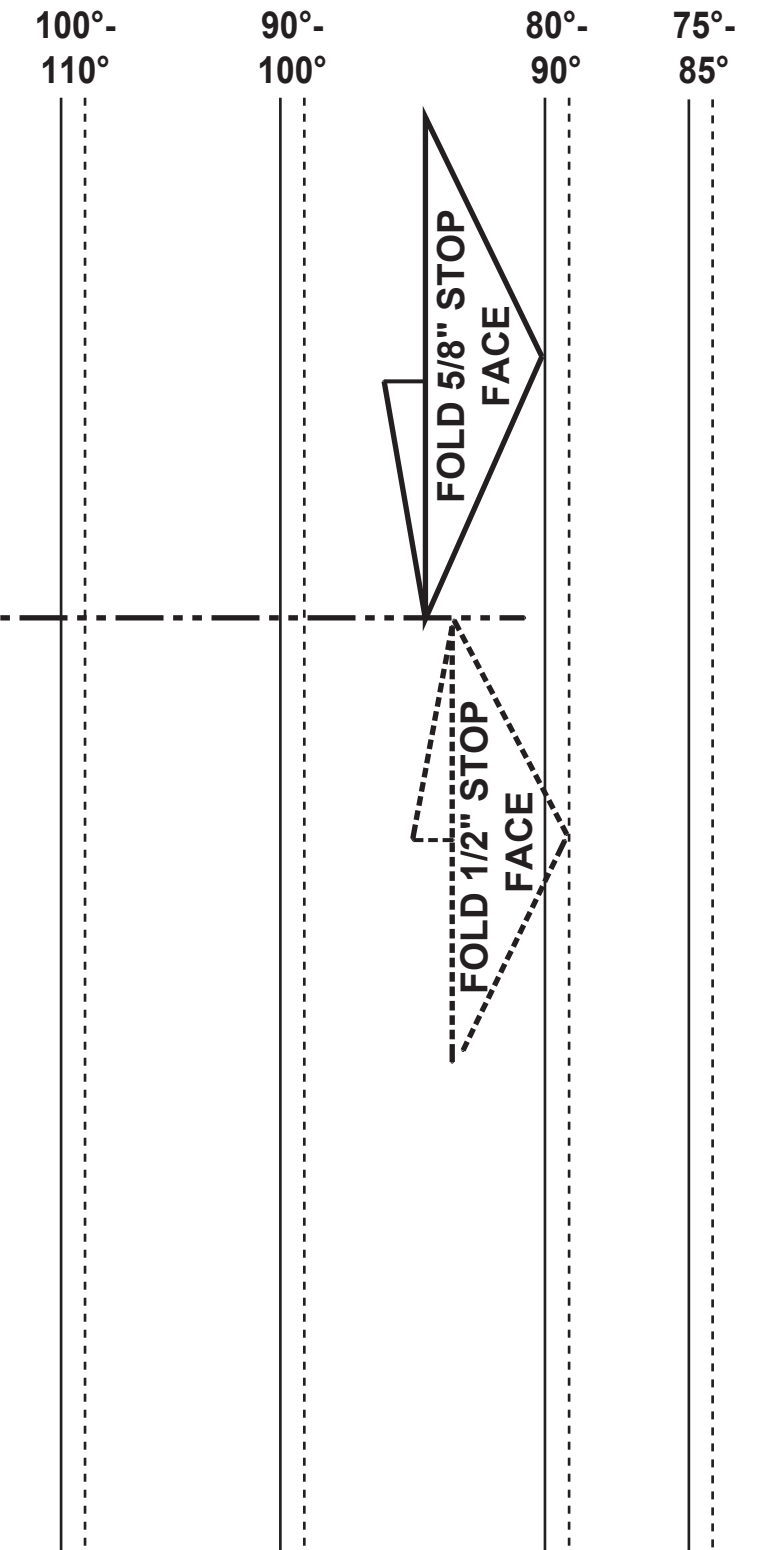
Verify exactly  
1" [25].



MATERIAL	DRILL	FASTENER
STEEL	1/8"	DPK
STEEL/ALUMINUM	7/32	TPK
WOOD/STEEL COMPOSITE	3/8"	SEX NUT
HARD WOOD	5/32"	WOOD SCREW
STEEL/ALUMINUM	#7 (.201), 13/64"	1/4-20 UNC MACH SCREW



**RIGHT HAND - CHOOSE  
MAX. DOOR OPENING**

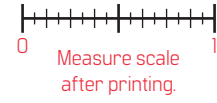


Template to scale 1:1, full size

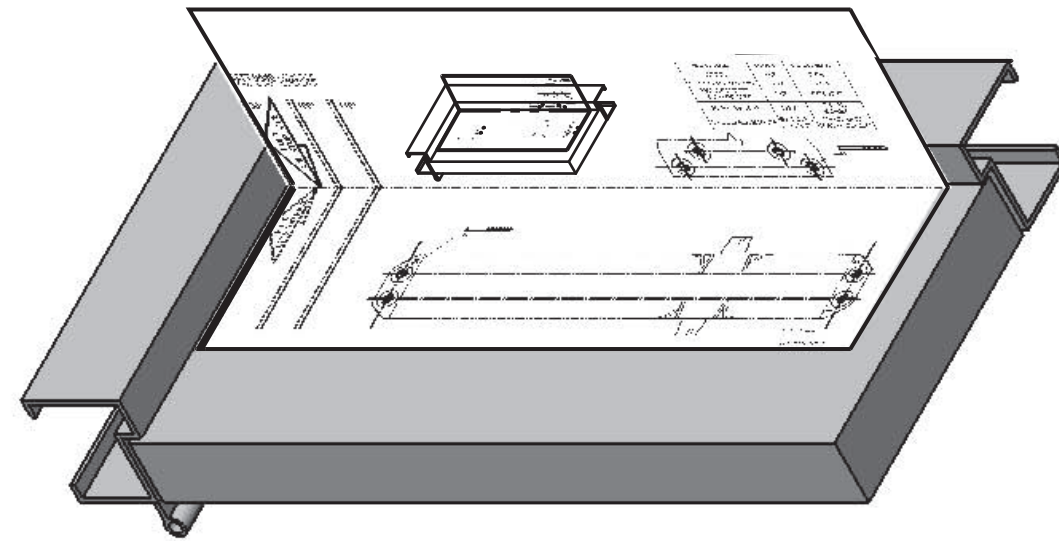
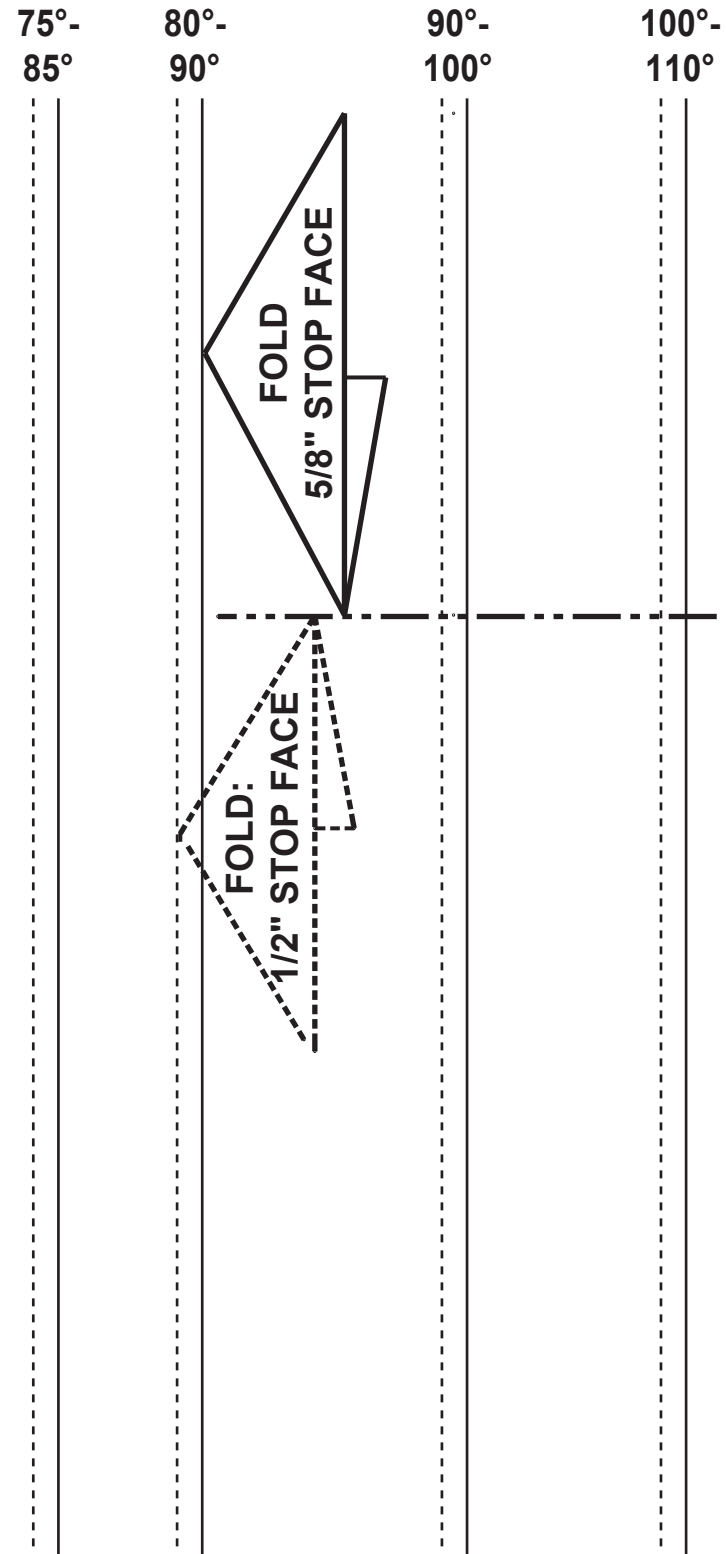
# Door Closer Models: HD7000, S-DS Parallel Mount Template/Drilling Instructions

For online instructions, assistance or warranty information:  
Call 1-800-392-5209 or visit <https://dhwsupport.dormakaba.com/hc/en-us>

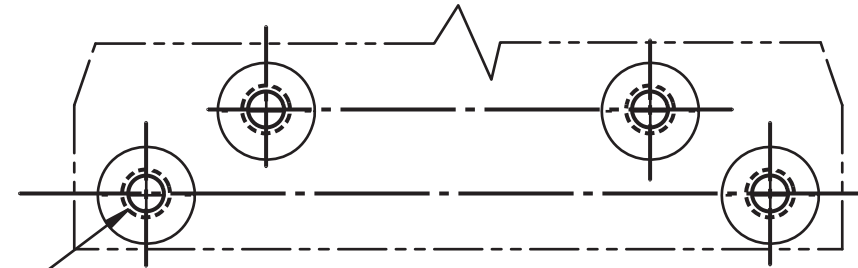
Verify exactly  
1" [25].



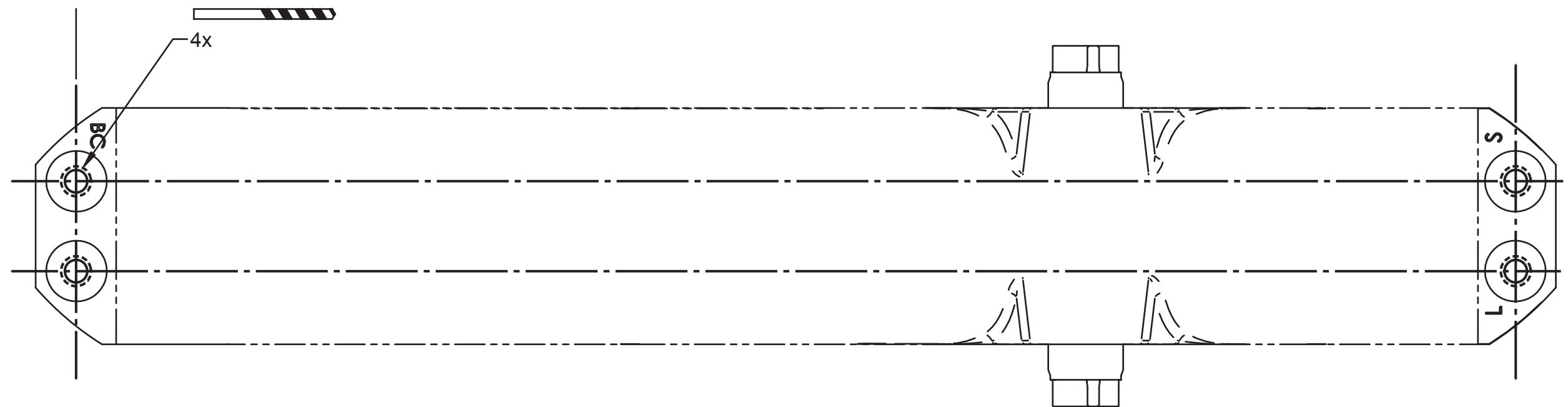
**LEFT HAND - CHOOSE  
MAX. DOOR OPENING**



MATERIAL	DRILL	FASTENER
STEEL	1/8"	DPK
STEEL/ALUMINUM	7/32	TPK
WOOD/STEEL COMPOSITE	3/8"	SEX NUT
HARD WOOD	5/32"	WOOD SCREW
STEEL/ALUMINUM	#7 (.201), 13/64"	1/4-20 UNC MACH SCREW



4x



Template to scale 1:1, full size