

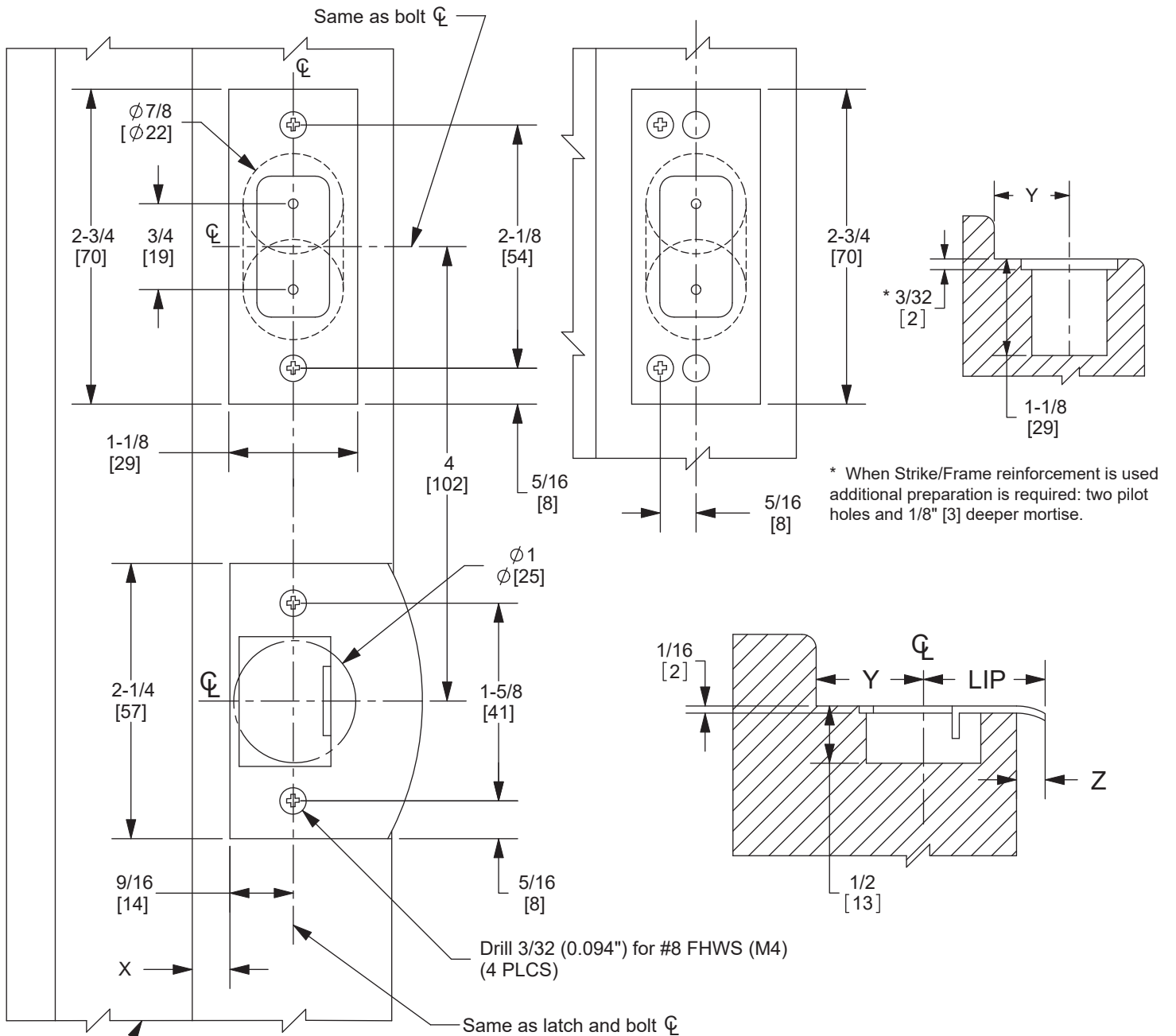
# 5703 Strike

Combination of 5103 & 5201

Wood jamb

## STRIKE & DEADBOLT

## FRAME REINFORCEMENT



Not to scale. Measurements are for reference only.  
Not a drilling template.

### NOTES:

1. DO NOT SCALE DRAWING.
2. DIMENSIONS ARE IN INCHES [MM].
3. STRIKE LOCATION ON FRAMES MUST BE ADJUSTED FOR THICKNESS OF DOOR SILENCERS WHEN USED.
4. CURVED STRIKE EXTENSION BEYOND JAMB AT "Z" MUST NOT BE LESS THAN 3/16" [5].
5. 1-1/8" [29] LIP LENGTH FOR 1-3/8" [35] TO 1-3/4" [44] DOORS. OTHER LENGTH AVAILABLE.
6. DIMENSIONS X,Y, Z ARE VARIABLES DEPENDING ON DOOR THICKNESS.