

6K Single (1DT) and Double (2DT) Dummy Trim Installation Instructions



dormakaba Group

TOOLS NEEDED:

Drill



1" Drill bit



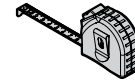
Screwdriver



Installation tool



Tape measure



Center punch



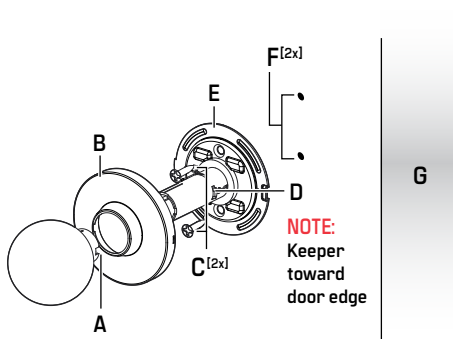
Pencil



OVERVIEW

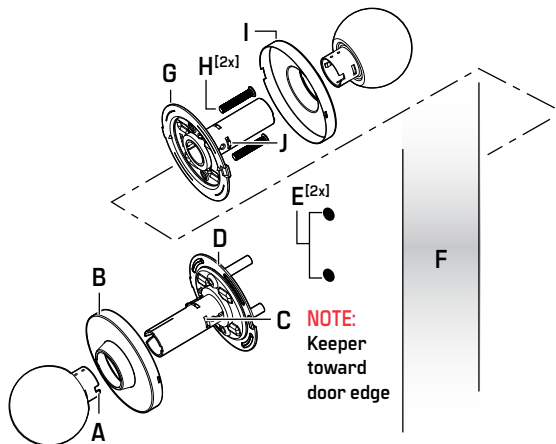
Single dummy trim (1DT)

- A** Knob slot
- B** Rose
- C**^[2x] Screws
- D** Keeper *
- E** Rose liner
- F**^[2x] Pilot hole
- G** Door edge



Double dummy trim (2DT)

- A** Knob slot
- B** Outside rose
- C** Keeper *
- D** Outside rose liner
- E**^[2x] Through-bolt hole
- F** Door edge
- G** Inside rose liner
- H**^[2x] Screws
- I** Inside rose
- J** Knob keeper



1 PREPARING DOOR

- 1.1 Fold template and place in position on high edge of door bevel.
NOTE: Suggested height from floor to centerline of lock is 40-5/16" [1024].

Single dummy trim (1DT)

- 1.2 Mark and drill top and bottom pilot holes (if necessary).

Double dummy trim (2DT)

- 1.2 Mark and drill two 17/64" [6.7] diameter through-bolt holes.

2 DISASSEMBLING TRIM

Single and double dummy trim:

- 2.1 Using supplied installation tool, depress knob keeper and pull knob off sleeve.
- 2.2 Pry rose off rose liner.

NOTE: For 2DT, repeat for both inside and outside rose liner.

3 INSTALLING DUMMY TRIM

Single dummy trim (1DT)

- 3.1 Mount rose liner onto door using mounting screws provided. Make sure keeper points toward door edge.
- 3.2 Press rose onto rose liner. Make sure to fit rose in recess of mounting plate.
- 3.3 Align knob slot with knob keeper. Use installation tool and press knob onto sleeve and snap into place.

Double dummy trim (2DT)

- 3.1 Insert outside rose liner into through-bolt holes. Make sure keeper points toward door edge.
- 3.2 Align inside rose liner and secure with through-bolts.
- 3.3 Press outside and inside roses onto rose liners. Make sure to fit rose in recess of mounting plate.
- 3.4 Align knob slot with knob keeper. Use installation tool and press knobs onto sleeves and snap into place.



Scan for product details and downloads.

Call 1-800-392-5209 or visit <https://dhwsupport.dormakaba.com/hc/en-us> for assistance and warranty information.

Warning: This Manufacturer advises that no lock can provide complete security by itself. This lock may be defeated by forcible or technical means, or evaded by entry elsewhere on the property. No lock can substitute for caution, awareness of your environment, and common sense. Builder's hardware is available in multiple performance grades to suit the application. In order to enhance security and reduce risk, you should consult a qualified locksmith or other security professional.



Escanee para acceder a información del producto y descargas.

Llame al 1-800-392-5209 o visite <https://dhwsupport.dormakaba.com/hc/en-us> para obtener asistencia e información sobre garantía.

Advertencia: Este fabricante le hace saber que no hay cerraduras que puedan proporcionar seguridad completa por sí mismas. Esta cerradura puede fallar forzándola o utilizando medios técnicos o entrando por otra parte del edificio. No hay cerraduras que puedan sustituir precaución, estar al tanto de su entorno y sentido común. Este fabricante también ofrece cerraduras de diferentes grados y rendimientos para ajustarse a su aplicación. Para mejorar la seguridad y reducir riesgos, usted debe consultar con un cerrajero especializado u otro profesional de seguridad.



Scanner pour obtenir des détails sur les produits et des téléchargements.

Appelez le 1-800-392-5209 ou rendez-vous sur le site <https://dhwsupport.dormakaba.com/hc/fr-ca> pour obtenir de l'aide et des renseignements sur la garantie.

Advertissement: Le fabricant tient à vous aviser qu'aucun verrou ne peut à lui seul offrir une sécurité complète. Ce verrou peut être mis hors d'état par la force ou des moyens techniques ou être évité par l'utilisation d'une autre entrée sur la propriété. Aucun verrou ne peut remplacer la surveillance de votre environnement et le bon sens. La quincaillerie pour le constructeur est offerte selon différents grades de performance pour différentes applications. Afin d'augmenter la sécurité et de réduire le risque, vous devriez consulter un serrurier qualifié ou un autre professionnel de la sécurité.