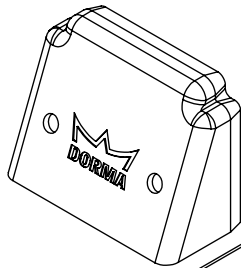


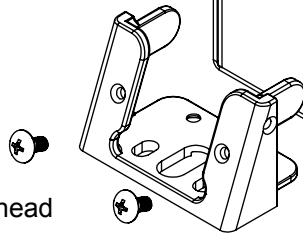


New heavy duty end cap & bracket installation

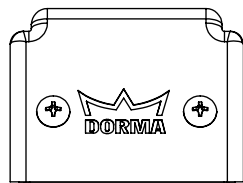
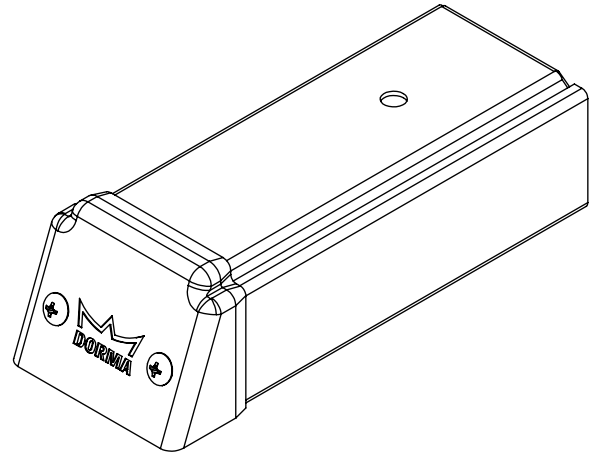
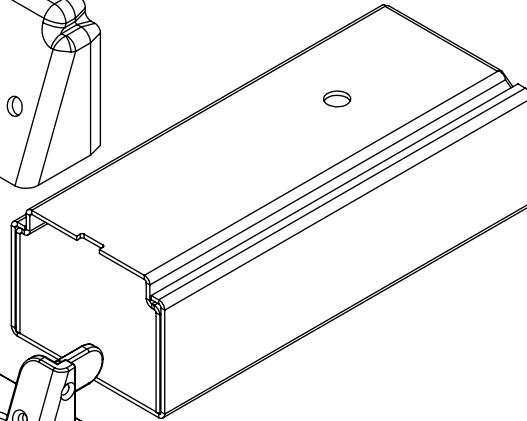
New tapered cast end cap.



New heavy duty cast mounting bracket.

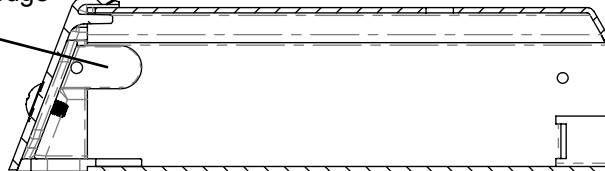


Truss head mounting screws.



Legs to catch under inner edge of filler.

Slot in top of end cap for filler to slide into.



End cap;

Heavy duty, die cast material, tapered and rounded edges to help eliminate snag points. Secured with Truss head screw for extra strength.

Heavy duty bracket;

Heavy duty stainless investment cast bracket with legs which engage the filler. Mounting location same as old stamped bracket. Easier access to mounting screws.