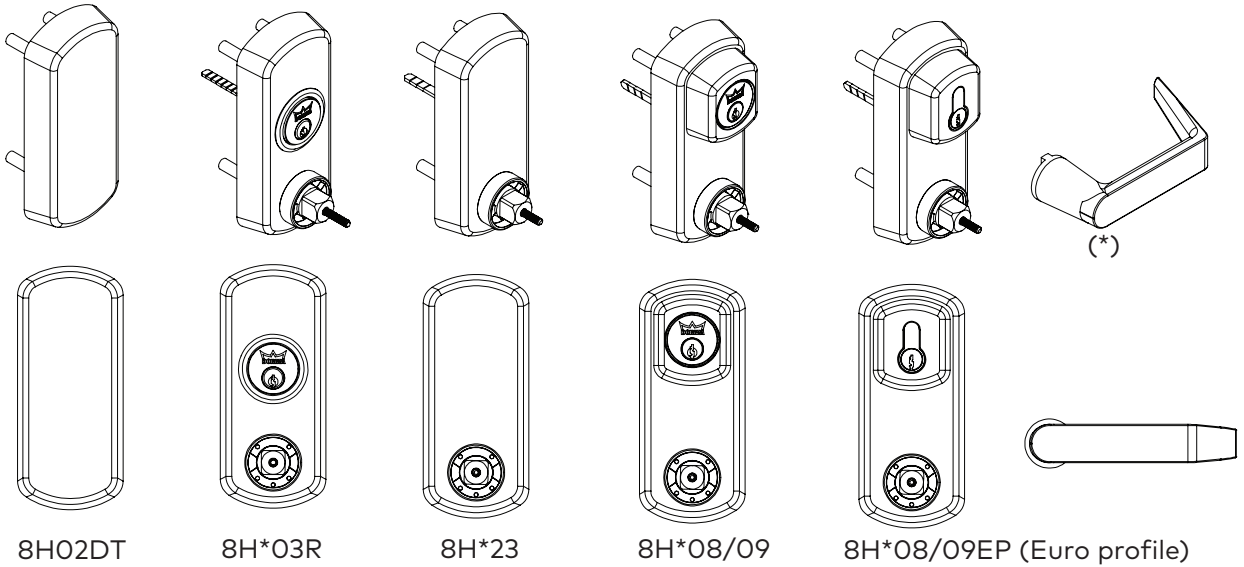


8H Series Lever Trim Instructions

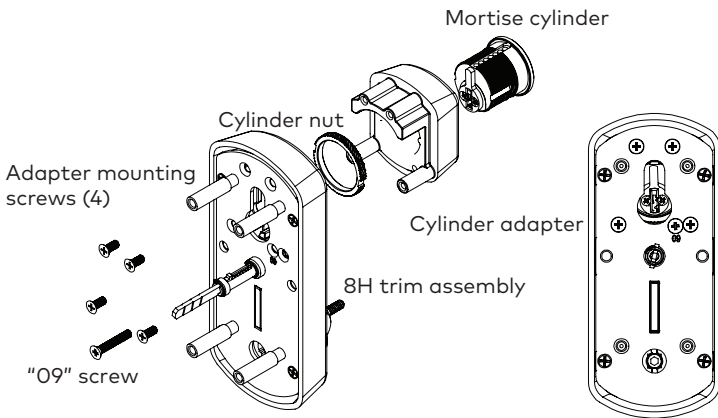
See proper trim template when required. Several lever styles available "R" lever shown see catalog.



"Mortise" cylinder specifications

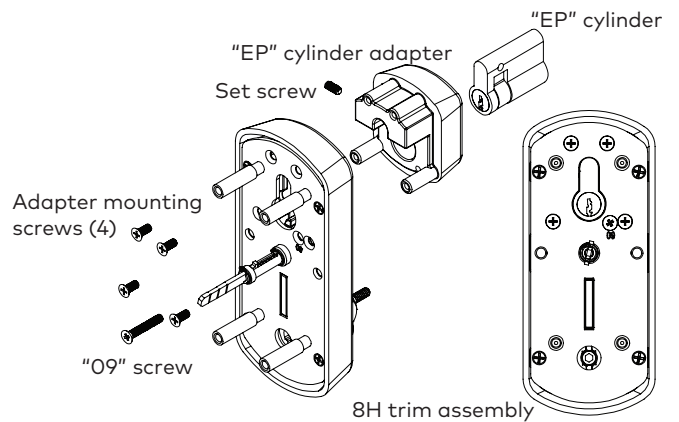


Standard 1 1/8" mortise cylinder, with DORMA #16 cam.



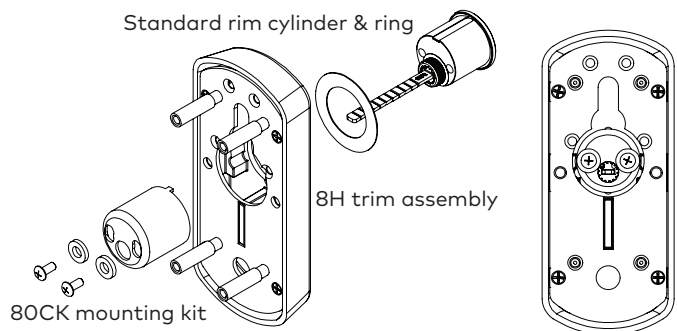
"Mortise" cylinder installation

Insert mortise cylinder thru adapter, secure with supplied cylinder nut. Insert adapter assembly thru 8H trim assembly and secure with (4) supplied screws. For "09" function (trim locked when key is removed) install additional long screw as shown. Install handle for proper hand and secure with Allen headed screw located in 8H trim assembly.



"EP" cylinder installation

Insert "EP" cylinder thru adapter, secure with supplied set screw. Insert adapter assembly thru 8H trim assembly and secure with (4) supplied screws. For "09" function (trim locked when key is removed) install additional long screw as shown. Install handle for proper hand and secure with Allen headed screw located in 8H trim assembly.

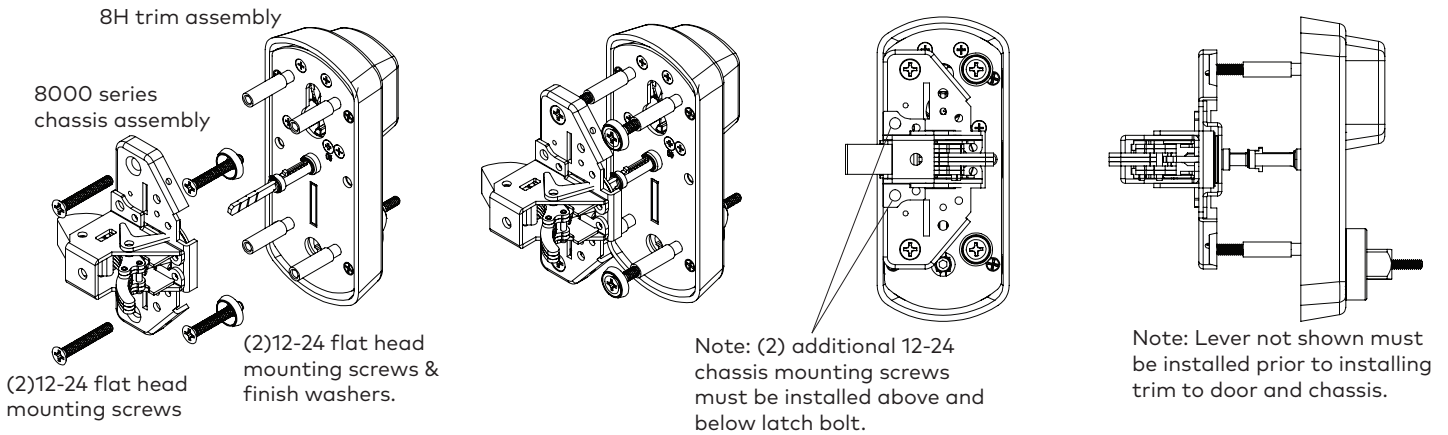


"Rim" cylinder installation

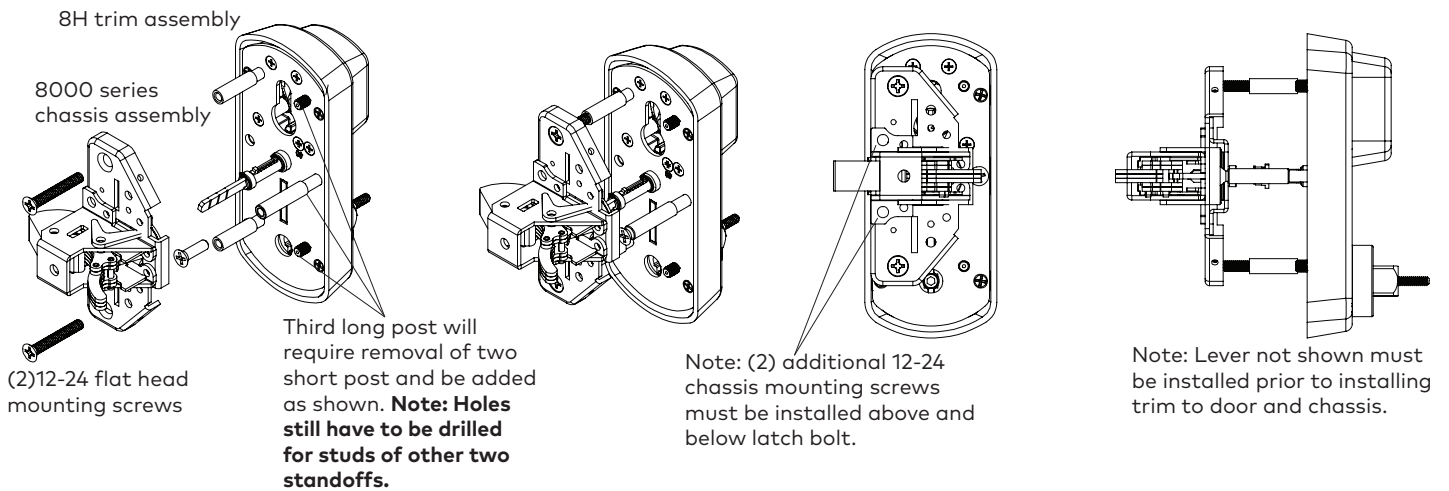
(See backside for 8H assembly to chassis installations)

8H Series Trim To Chassis Instructions

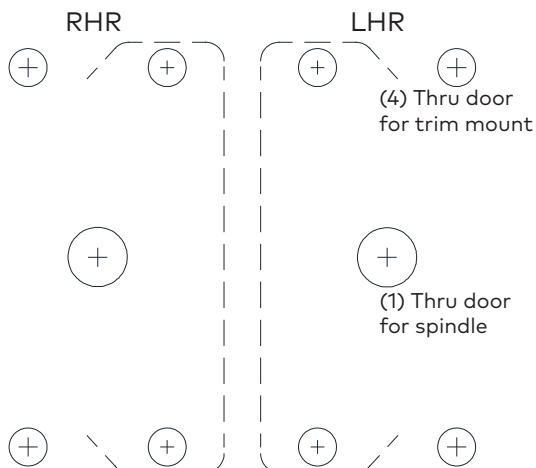
4 Post mounting for added security (preferred method)



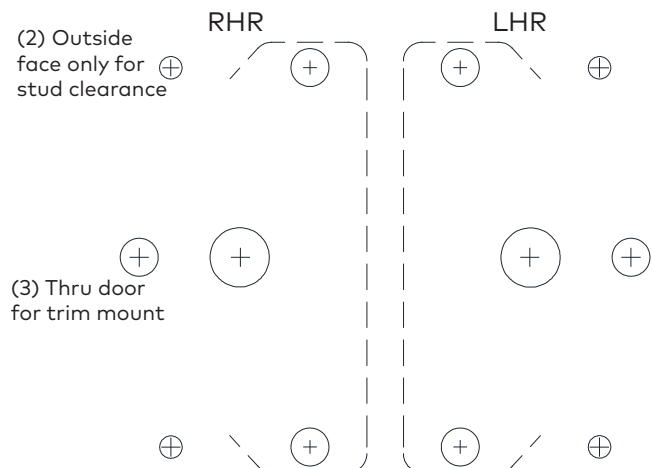
Optional (3) post mounting; (third screw will be hidden under rail, may require countersinking)



Preferred: (4) post mount



Optional: (3) post mount



Not To Scale

See Template T8000-7 packed with device for proper hole location and diameter.