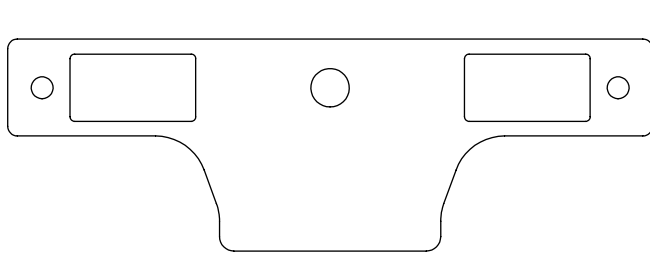
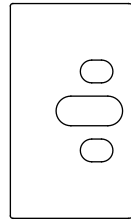




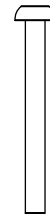
# GK9200 SHIM KIT



(4) 9200GK CHASSIS SHIMS



(2) GK5000E  
ENDCAP SHIMS



(2) 12-24 x 2" P.H.M.S.

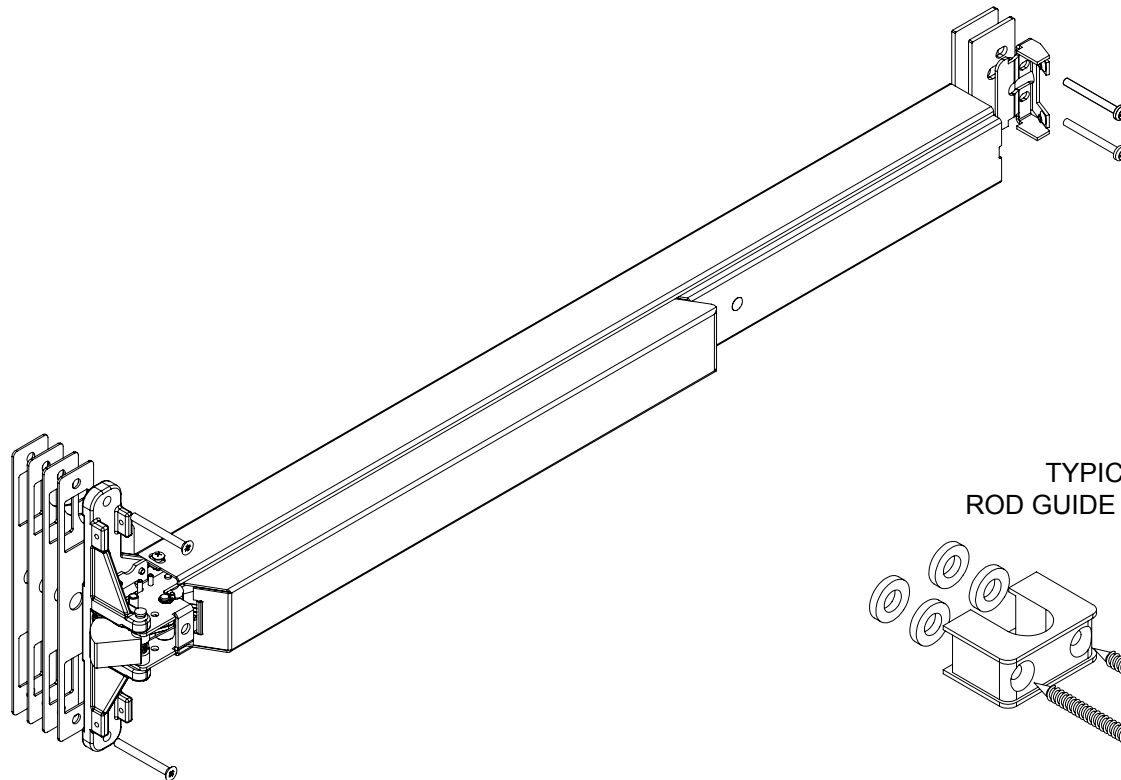


(2) 12-24 x 2" F.H.M.S.



(8)  
FLAT WASHERS

The GK9200 Shim Kit allows the installer to make adjustments for glass lite kits etc. that may cause interference with the normal installation of the hardware. The kit includes shims and washers which allow the hardware to be raised 1/8" or 1/4" off the door face. Shims can be used on 9600, 9700 and 9800 series devices. The additional flat washers are include for the rod guides of the 9800 series. See typical installation below.



TYPICAL 9800  
ROD GUIDE INSTALLATION