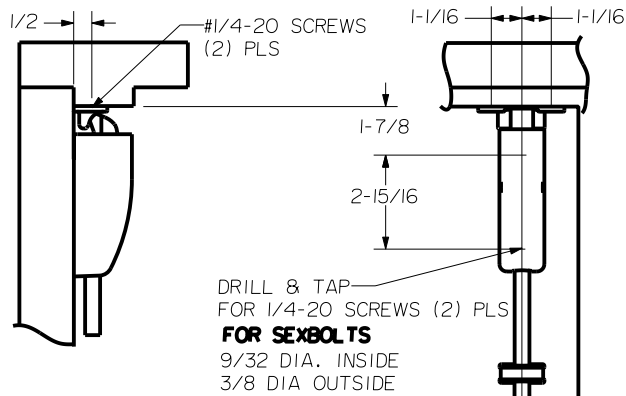


REINFORCEMENT REQUIREMENTS
 PROVIDE ADEQUATE REINFORCEMENT TO METAL COVERED COMPOSITE AND HOLLOW METAL DOORS FOR THE DRILLING AND TAPPING OF THE MACHINE SCREWS.

SEX NUTS AND BOLTS
 SEX BOLTS ARE REQUIRED FOR PLASTIC, WOOD, METAL COVERED COMPOSITE AND HOLLOW METAL DOORS WITHOUT REINFORCEMENT

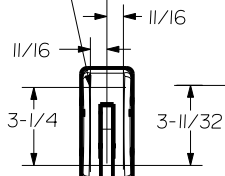
SEX BOLT MACHINING
 HOLE "A" (4) PLS AND INACTIVE CASE
 DRILL 1/4 DIA. INSIDE
 DRILL 3/8 DIA. OUTSIDE



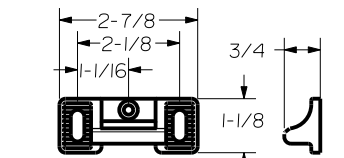
DRILL & TAP FOR 1/4-20 SCREWS (2) PLS FOR SEXBOLTS
 9/32 DIA. INSIDE
 3/8 DIA OUTSIDE

DRILL AND TAP #10-24 SCREW (4 PLS - INACTIVE CASE)

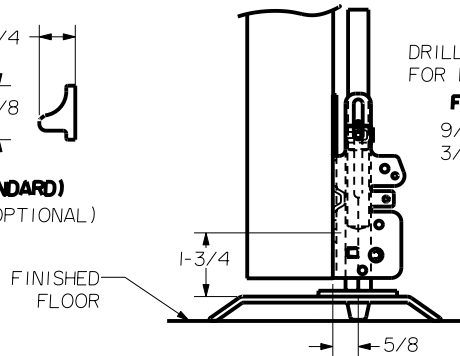
CENTER DISTANCE BETWEEN CASES
 5-1/2 LESS THAN DOOR LEAF WIDTH



RHR SHOWN - FOR LHR REVERSE STILE MACHINING

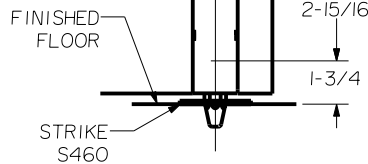


STRIKE S300 (STANDARD)
 ROLLER STRIKE S301 (OPTIONAL)



THRESHOLD APPLICATION

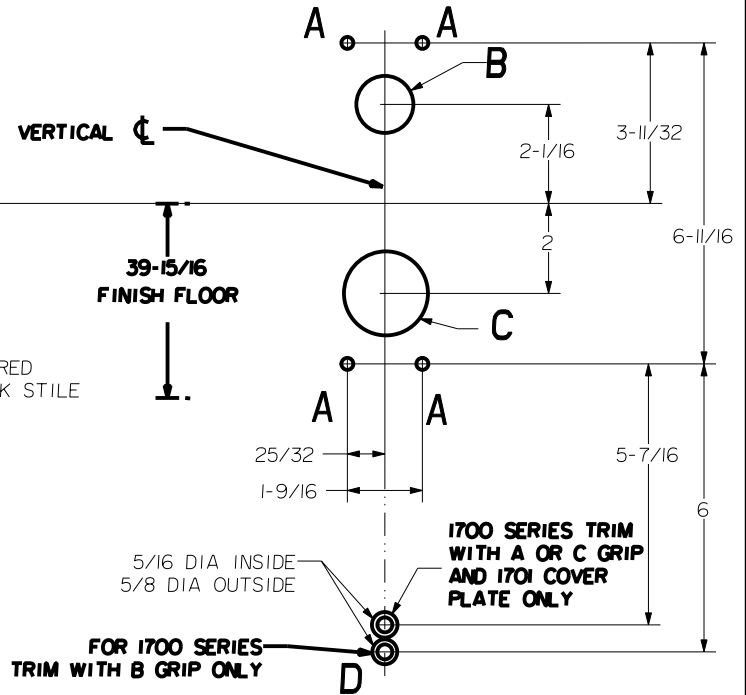
DRILL & TAP FOR 1/4-20 SCREWS (2) PLS FOR SEXBOLTS
 9/32 DIA. INSIDE
 3/8 DIA OUTSIDE



LBR DEVICES:
 OMIT BOTTOM BOLT MACHINING.
 FIRE BOLT REQ'D FOR FL DEVICES
 SEE DRAWING 0297-II-000 FOR DETAILS

HOLE (4) PLS A	DEVICES	TRIMS	HOLE B	HOLE C
#10-24 TAP INSIDE ONLY	201.FL201	EXIT ONLY	NO	NO
	203.FL203	CYL ONLY	1-3/8 DIA INSIDE 1-3/16 DIA OUTSIDE	
1/4 DIA INSIDE 3/8 DIA OUTSIDE	201.FL201	1701,4901	NO	1-3/4 DIA THRU DOOR
	202.FL202	1702,4902		
	203.FL203	1703,4903		
	205.FL205	Y1705		
	208.FL208	4908,VY4908		
	214.FL214	Y4914		1-3/4 DIA THRU DOOR
	215.FL215	Y1715	NO	

LOCK STILE MACHINING



FOR 1700 SERIES TRIM WITH B GRIP ONLY

1700 SERIES TRIM WITH A OR C GRIP AND 1701 COVER PLATE ONLY

Precision Hardware a Division of Stanley Security Solutions, Inc. www.stanleysecuritysolutions.com			
DEVICE SERIES		TRIM SERIES	
200, FL200, 200LBR, FL200LBR		EXIT ONLY, CYL ONLY, 1700,4900	
STRIKE NO.	RELEASED DATE	TEMPLATE NO.	REV
S300, S301, S460	5/01/05	HM-200A	C