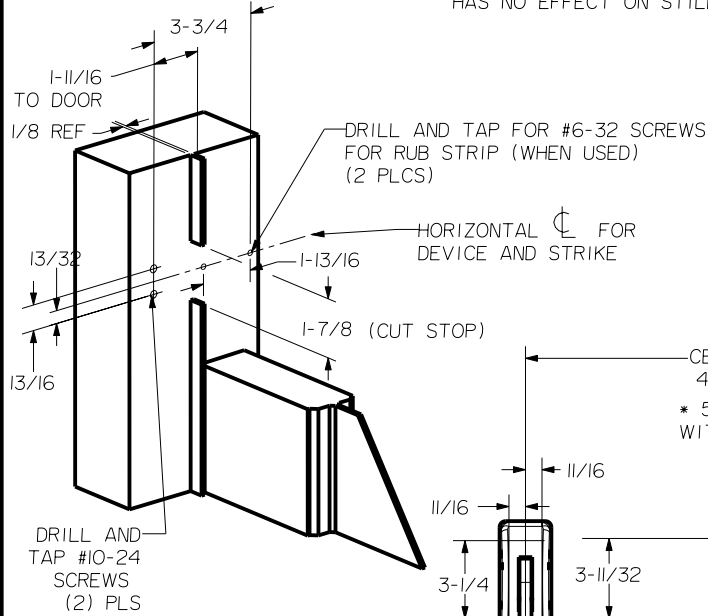


SEX BOLT MACHINING

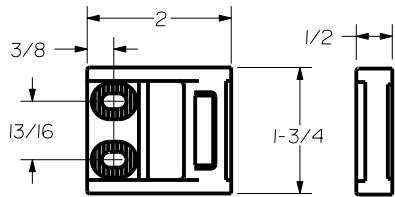
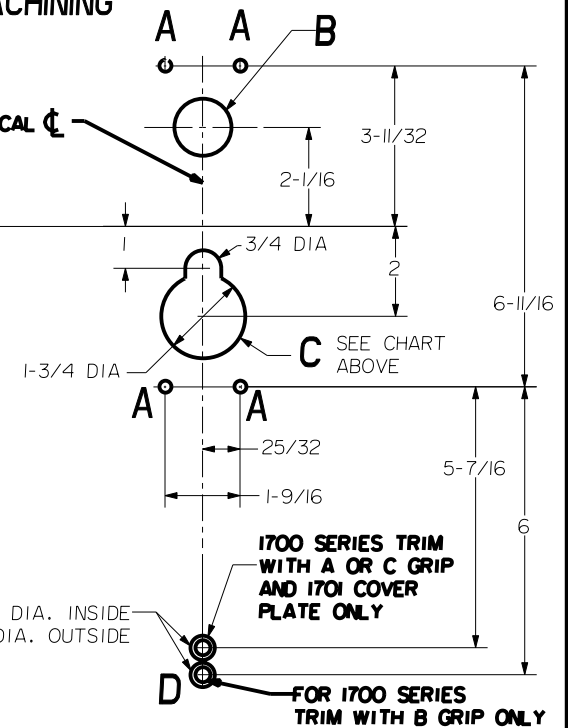
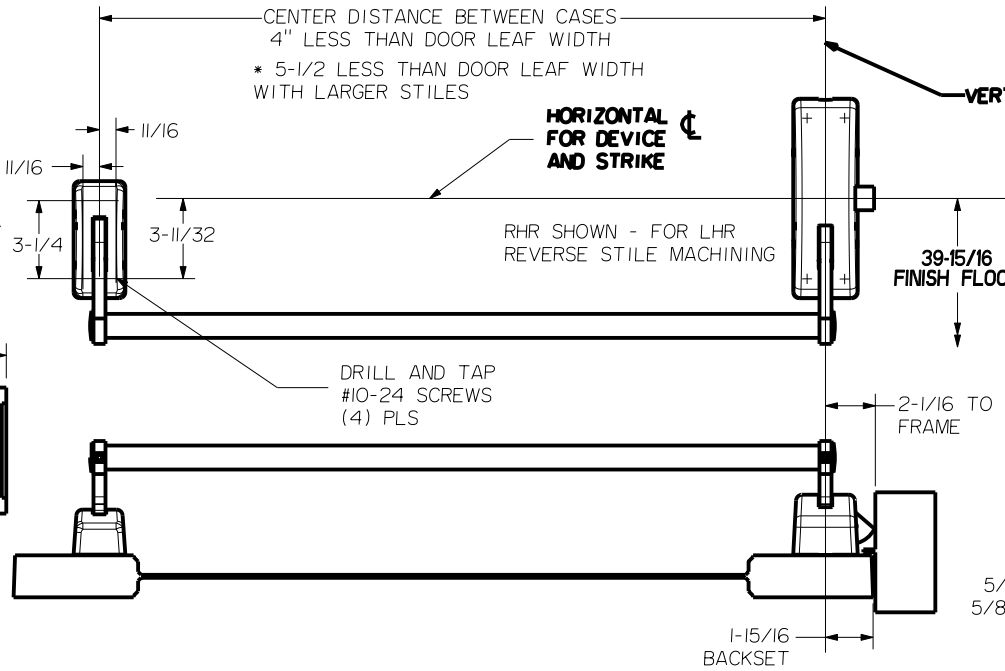
DRILL 1/4 DIA. INSIDE
DRILL 3/8 DIA. OUTSIDE



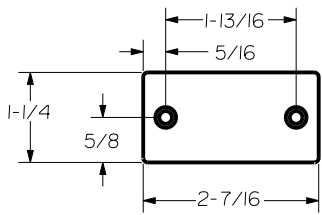
NOTE:
"LETTER" AT END OF TRIM MODEL NO. DESIGNATES LEVER OR GRIP STYLE. EXCEPT AS NOTED, LEVER OR GRIP STYLE HAS NO EFFECT ON STILE MACHINING.

| HOLE (4) PLS A | DEVICES | TRIMS | HOLE B | HOLE C THRU DOOR |
|-----------------------------------|------------------|---------------|--|----------------------------|
| #10-24 TAP INSIDE ONLY | 101, R101 | EXIT ONLY | NO | NO |
| | 103, R103 | CYL ONLY | 1-3/8 DIA INSIDE 1-3/16 DIA OUTSIDE | |
| 1/4 DIA INSIDE 3/8 DIA OUTSIDE | 101, R101 | 1701, 4901 | NO | THRU DOOR |
| | 102, R102 | 1702, 4902 | | |
| | 103, R103 | 1703, 4903 | | |
| | 105, R105 | Y1705 | 1-3/8 DIA THRU DOOR | |
| | 106, R106 | Y4908, YV4908 | | |
| | 114, R114 | Y4914 | | |
| | 115, R115 | Y1715 | NO | |

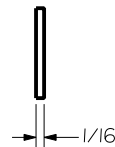
LOCK STILE MACHINING



ROLLER STRIKE S988 (STANDARD)



RUB STRIP S454 (STANDARD)



| ALUMINUM DOOR AND FRAME WITH BLADE OR APPLIED STOP | | |
|--|-------------|-----------------|
| MIN. STILES | DEVICE SIZE | DOOR WIDTH |
| 3-1/2" | 3'-0" | 2'-6" TO 2'-10" |
| | 4'-0" | 3'-0" TO 3'-10" |
| 4-3/4" OR FLUSH DOOR | 3'-0" | 2'-7" TO 3'-0" |
| | 4'-0" | 3'-1" TO 4'-0" |

*

STANLEY **phi** Precision Hardware
a Division of Stanley Security Solutions, Inc.
www.stanleysecuritysolutions.com

| DEVICE SERIES | | TRIM SERIES | |
|---------------|---------------|---------------------------------|-----|
| 100, R100, | | EXIT ONLY, CYL ONLY, 1700, 4900 | |
| STRIKE NO. | RELEASED DATE | TEMPLATE NO. | REV |
| S988 | 5/01/05 | AL-100A | C |