

SURFACE VERTICAL ROD EXIT DEVICES



S300

Reliant 5200 Series – Reversible
Reliant FL5200 Fire Exit Series – Reversible

DOORS - For all types of single and double door applications. Available for 1-3/4" to 2-1/4" thick, up to 4'-0" wide by 10'-0" high openings. For thicker doors, consult factory. Furnished standard for 1-3/4" thick, 3'-0" wide by 7'-0" high openings.

ACTIVE CASE & TRIM - Covers ANSI A115.2 (Type 161) or ANSI A115.18 cylinder lock preparation. Active case through bolts in ANSI A115.18 preparation without additional machining.

FUNCTIONS - Universal Exit Device, add Trim for the desired function.

ACTIVE CASE COVER, LATCH COVERS & ENDCAP - High Impact Thermoplastic.

ACTIVE CASE & TOUCHBAR SUB-ASSEMBLY - Zinc Dichromate plated Heavy Wrought Steel.

TOUCHBAR ASSEMBLY - Powder Coated Heavy Wrought Steel.

VERTICAL RODS - Powder Coated Steel.

TOUCHBAR HEIGHT - 40-5/16" from floor standard. Specify required height if other than standard.

REVERSIBLE - Reversible for all functions and trims. Standard packaging RHRB.

UL LISTED - Panic and Fire Exit Hardware. For FIRE EXIT HARDWARE Ratings see page 3. Conforms to UL10C and UBC 7-2.

ANSI/BHMA - Devices are BHMA certified for ANSI 156.3, Grade 1.

FINISHES - 689 Aluminum Powder Coat, 695 Dark Bronze Powder Coat.

STILE WIDTH - See Stile information on page 11.

CYLINDERS - See page 11.

LESS BOTTOM ROD (LBR) OPTION - Specify suffix "LBR" (e.g. 5200LBR). See UL FIRE LABEL Rating Chart on page 11. Fire Rated Devices include FB277 Fire Bolt Assembly.



BOTTOM BOLT - Steel plated, independent action 5/8" throw, with adjustment range to suit 3/4" door undercut.

TOP STRIKE - No. S300, Investment Cast Stainless Steel, Black Powder Coated.

BOTTOM STRIKE - No. S460, Steel, Black Powder Coated, flush mounted.

DOGGING - 1/4 turn hex key dogging standard. Not available for Fire Exit Hardware.

TOP LATCHBOLT - Stainless Steel, Deadlocking, 3/4" throw.

DEVICE OPTIONS

| Suffix | Description | Page |
|--------|--------------------------------------|------|
| ALK | Exit Alarm: battery operated | 10 |
| ALW | Exit Alarm: remote power | 10 |
| CD | Cylinder Dogging | 9 |
| FL | Fire Exit Hardware | 3,6 |
| LBR | Less Bottom Rod | 6 |
| LD | Less Dogging | 9 |
| TDS | Touchbar Monitoring Double Switch | 10 |
| TS | Touchbar Monitoring Switch | 10 |
| WALW | Weatherized Exit Alarm: remote | 10 |
| WTDS | Weatherized Touchbar Mon. Dbl Switch | 10 |
| WTS | Weatherized Touchbar Mon. Switch | 10 |

How To Order – 5200 Series

| 5208 | ALK | 808 | RHRB | 689 | S300 | |
|---------------------------------------|----------------|----------------------|---------|--------|------------------------|------------------------|
| Device No. | Device options | Trim No. | Handing | Finish | Strike | Door Size |
| 5201- exit only | See above | 501 – cover plate | RH | 689 | S300 – rim/top (std.) | 3' 0" x 7' 0" x 1 3/4" |
| 5202- dummy trim | | 602 – trim no key | LH | 695 | S301 – rim/top (opt.) | |
| 5203- key retracts latchbolt | | 603 – trim w/key | RHRB | | S458 – rim (opt.) | |
| 5208- key locks/unlocks lever | | 702A – handle no key | LHRB | | S459 – non fire (opt.) | |
| | | 703A – handle w/key | | | S460 – bottom (std.) | |
| 5214- no cylinder lever always active | | 808A – lever w/key | | | S988 – roller (opt.) | |
| | | 814A – lever no key | | | | |

Device Only: Device no., hand, finish, strike, and door size including thickness:

(e.g. FL5208RALK x RHRB x 689 x S300 x 3-0 x 7-0 x 1-3/4)

Trim Only: Trim no., hand, finish, and door thickness:

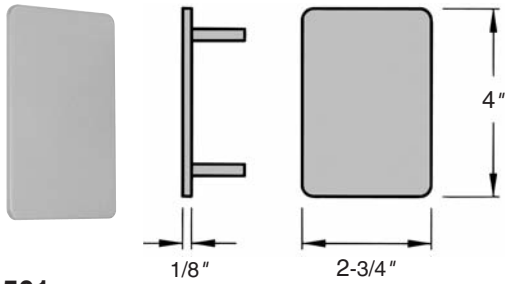
(e.g. 808A RHRB 689 1-3/4) * 5203 & FL5203 Cylinder Only Application includes Cylinder Attachment Kit "CA-03".



S460



Trims are certified to ANSI/BHMA A156.3, Grade 1.



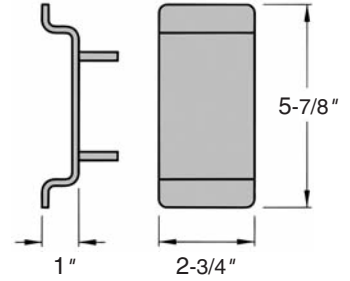
501
Cover Plate



602
Entrance by trim when touchbar is dogged down.



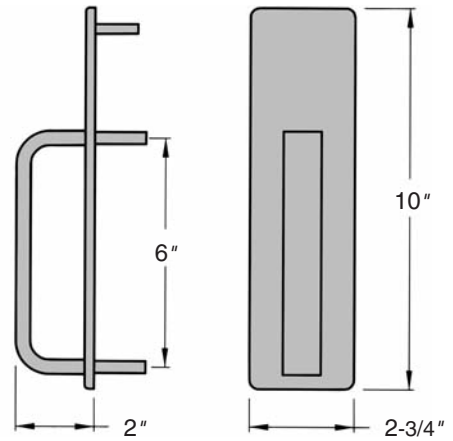
603
Entrance by trim when latchbolt is retracted by key. Key removable only when locked.



702A
Entrance by trim when touchbar is dogged down.



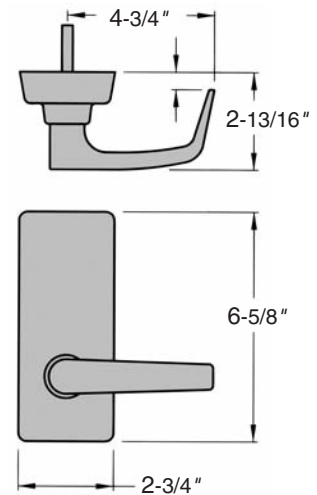
703A
Entrance by trim when latchbolt is retracted by key. Key removable only when locked.



808A
Entrance by lever, key locks or unlocks lever.



814A
Entrance by lever. Always active - No cylinder



Notes:

CYLINDERS - Not furnished standard. For Cylinder details see page 11.

Rim Cylinder - Required for 603 & 703A Trim.

Mortise Cylinder - Required for 808A Trim. Use 1-1/4" long standard mortise cylinder.

LEVER TRIMS - (808A, 814A) are handed, but are field reversible. Specify Handing when ordering.

TRIMS - are through bolted and will cover 161 cutouts.