

RIM EXIT DEVICES



Reliant 5100 Series – Non Handed

Reliant FL5100 Fire Exit Series – Non Handed

DOORS - For all types of single and double doors with a mullion. For mullions, see page 8. Available for 1-3/4" to 2-1/4" thick, up to 4'-0" wide openings. For thicker doors, consult factory. Furnished standard for 1-3/4" thick, 3'-0" wide openings.

ACTIVE CASE & TRIM - Covers ANSI A115.2 (Type 161) or ANSI A115.18 cylinder lock preparation. Active Case through bolts in ANSI A115.18 preparation without additional machining.

FUNCTIONS - Universal Exit Device, add Trim for the desired function.

ACTIVE CASE COVER & ENDCAP - High Impact Thermoplastic.

ACTIVE CASE - Stainless Steel.

TOUCHBAR SUB-ASSEMBLY - Zinc Dichromate plated Heavy Wrought Steel.

TOUCHBAR ASSEMBLY - Powder Coated Heavy Wrought Steel.

STRIKES - No. S300, Investment Cast Stainless Steel, Black Powder Coated furnished standard. No. S988, optional strike for use on Aluminum Door applications, specify when ordering. No. S458, optional strike for use on Mullion applications, specify when ordering. For optional strike information see page 9.

LATCHBOLT - Stainless Steel, Deadlocking, 3/4" throw.

DOGGING - 1/4 turn hex key dogging standard. NOT available on Fire Exit Hardware.

TOUCHBAR HEIGHT - 40-5/16" from floor standard. May be varied as situation dictates.

UL LISTED - Panic and Fire Exit Hardware. For FIRE EXIT HARDWARE Ratings see page 3. Conforms to UL10C and UBC 7-2.

ANSI/BHMA - Devices are BHMA certified for ANSI 156.3, Grade 1.

FINISHES - 689 Aluminum Powder Coat, 695 Dark Bronze Powder Coat.

CYLINDERS - See page 11.

STILE WIDTH - See Stile Information on page 11.

DEVICE OPTIONS

Suffix	Description	Page
ALK	Exit Alarm: battery operated	10
ALW	Exit Alarm: remote power	10
CD	Cylinder Dogging.....	9
FL	Fire Exit Hardware	3,4
LD	Less Dogging	9
TDS	Touchbar Monitoring Double Switch	10
TS	Touchbar Monitoring Switch	10
WTDS	Weatherized Touchbar Mon. Dbl. Switch	10
WTS	Weatherized Touchbar Monitoring Switch.....	10

How To Order – 5100 Series

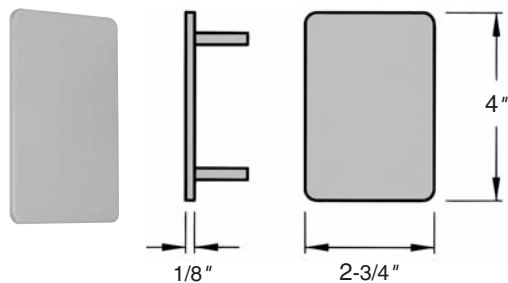
5108	ALK	808	RHRB	689	S300	
Device No.	Device options	Trim No.	Handing	Finish	Strike	Door Size
5101– exit only	See above	501 – cover plate	RH LH RHRB LHRB	689	S300 – rim/top (std.)	3'0" x 7'0" x 1 3/4"
5102– dummy trim		602 – trim no key		695	S301 – rim/top (opt.)	
5103– key retracts latchbolt		603 – trim w/key			S458 – rim (optional)	
5108– key locks/unlocks lever		702A – handle no key			S459 – non fire (optional)	
5114– no cylinder lever always active		703A – handle w/key			S460 – bottom (std.)	
		808A – lever w/key			S988 – roller (opt.)	
		814A – lever no key				

Device Only: Device no., hand, finish, strike, and door size including thickness: (e.g. FL5108 x RHRB x 689 x S300 x 3'-0" x 7'-0" x 1-3/4")

Trim Only: Trim no., hand, finish, and door thickness: (e.g. 808A x RHRB x 689 x 1-3/4") * 5103 & FL5103 Cylinder Only Application includes Cylinder Attachment Kit "CA-03".



Trims are certified to ANSI/BHMA A156.3, Grade 1.



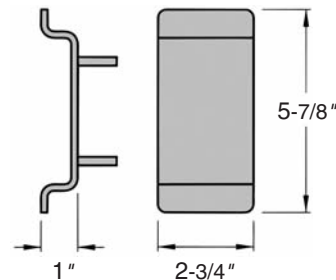
501
Cover Plate



602
Entrance by trim when touchbar is dogged down.



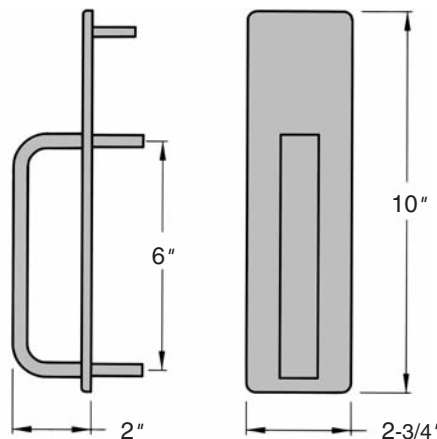
603
Entrance by trim when latchbolt is retracted by key. Key removable only when locked.



702A
Entrance by trim when touchbar is dogged down.



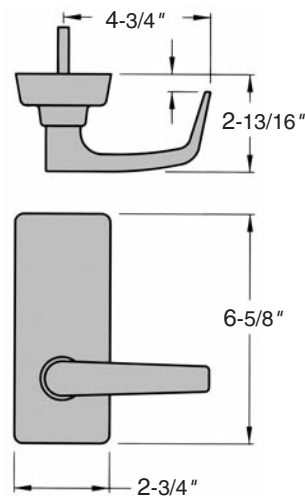
703A
Entrance by trim when latchbolt is retracted by key. Key removable only when locked.



808A
Entrance by lever, key locks or unlocks lever.



814A
Entrance by lever. Always active – No cylinder



Notes:

CYLINDERS - Not furnished standard. For Cylinder details see page 11.

Rim Cylinder - Required for 603 & 703A Trim.

Mortise Cylinder - Required for 808A Trim. Use 1-1/4" long standard mortise cylinder.

LEVER TRIMS - (808A, 814A) are handed, but are field reversible. Specify Handing when ordering.

TRIMS - are through bolted and will cover 161 cutouts.

The measurement from the Trim Horizontal Centerline to the Lever Horizontal Centerline is 1-7/16".