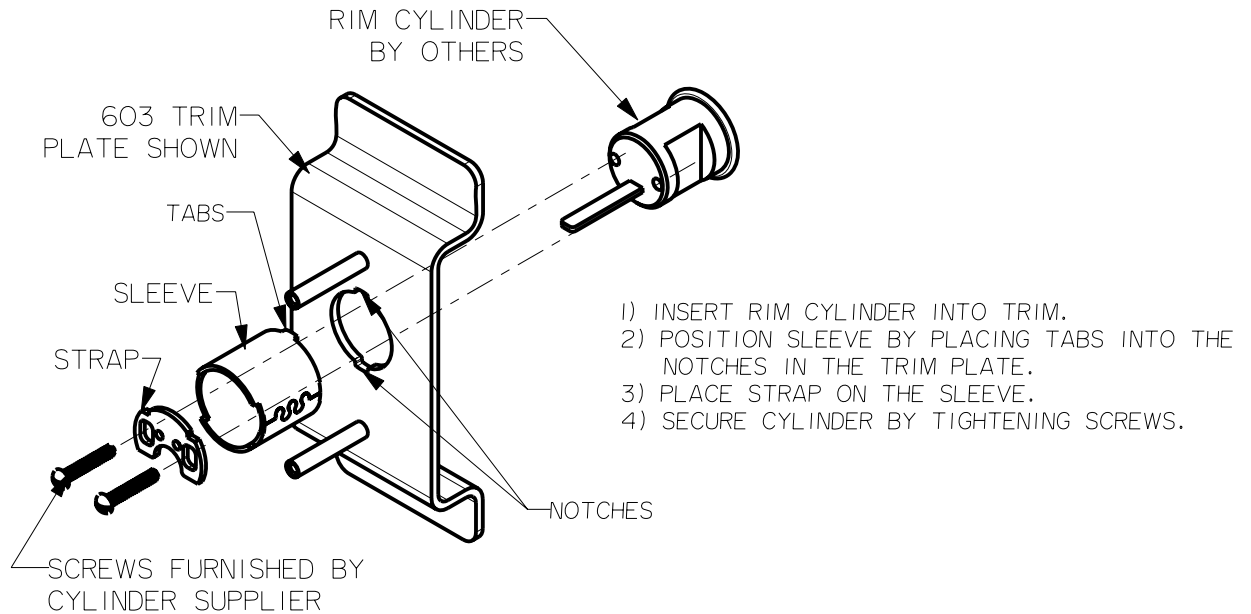


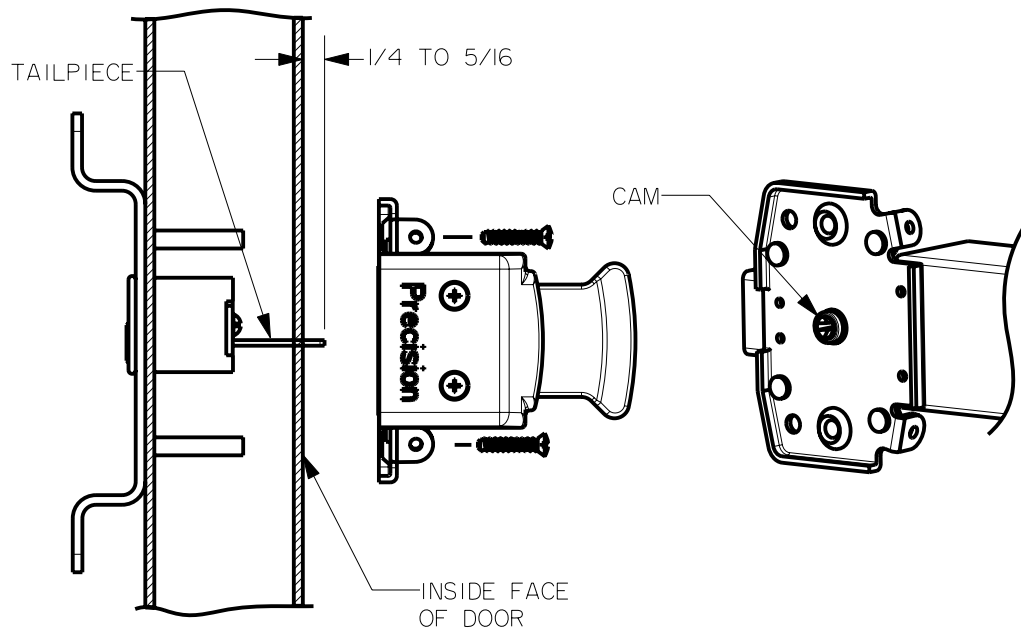
501,602,603 TRIM INSTRUCTIONS

(SEE TEMPLATE FOR DOOR PREPARATION)

RIM CYLINDER INSTALLATION



TRIM INSTALLATION



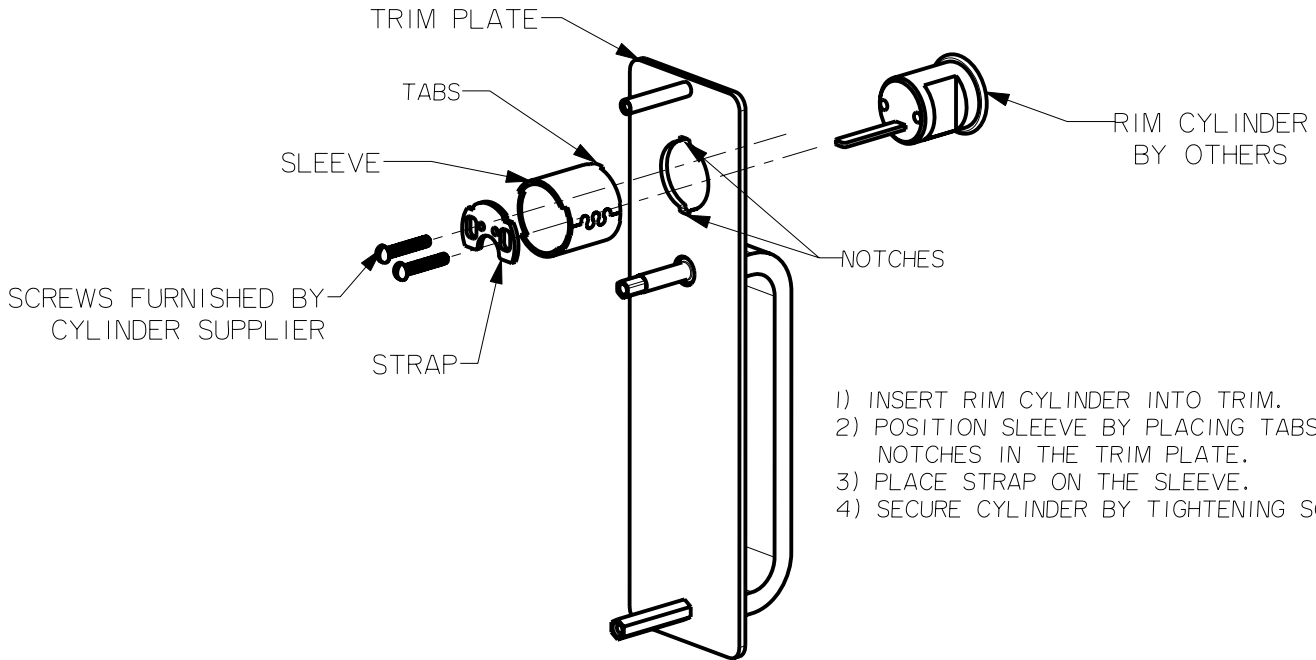
INSERT TAILPIECE INTO THE CAM

SECURE THE CHASSIS TO THE TRIM WITH SCREWS

702,703 TRIM INSTRUCTIONS

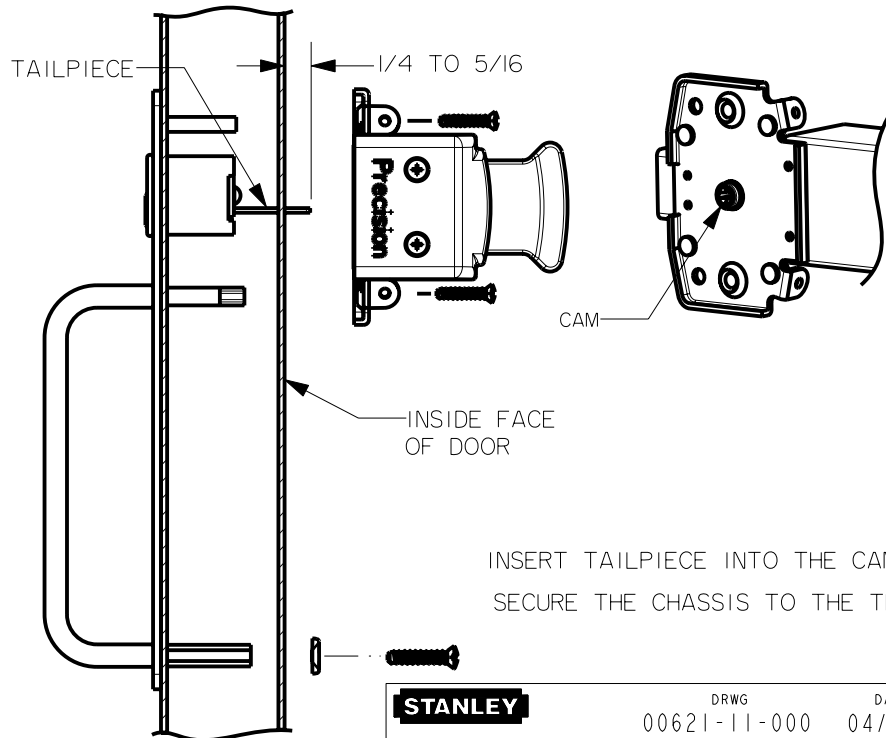
(SEE TEMPLATE FOR DOOR PREPARATION)

RIM CYLINDER INSTALLATION



- 1) INSERT RIM CYLINDER INTO TRIM.
- 2) POSITION SLEEVE BY PLACING TABS INTO THE NOTCHES IN THE TRIM PLATE.
- 3) PLACE STRAP ON THE SLEEVE.
- 4) SECURE CYLINDER BY TIGHTENING SCREWS.

TRIM INSTALLATION



- INSERT TAILPIECE INTO THE CAM
SECURE THE CHASSIS TO THE TRIM WITH SCREWS

STANLEY

phi

DRWG 00621-11-000 DATE 04/01/03 REVISION A

Precision Hardware
a Division of Stanley Security Solutions, Inc.
www.stanleysecuritysolutions.com