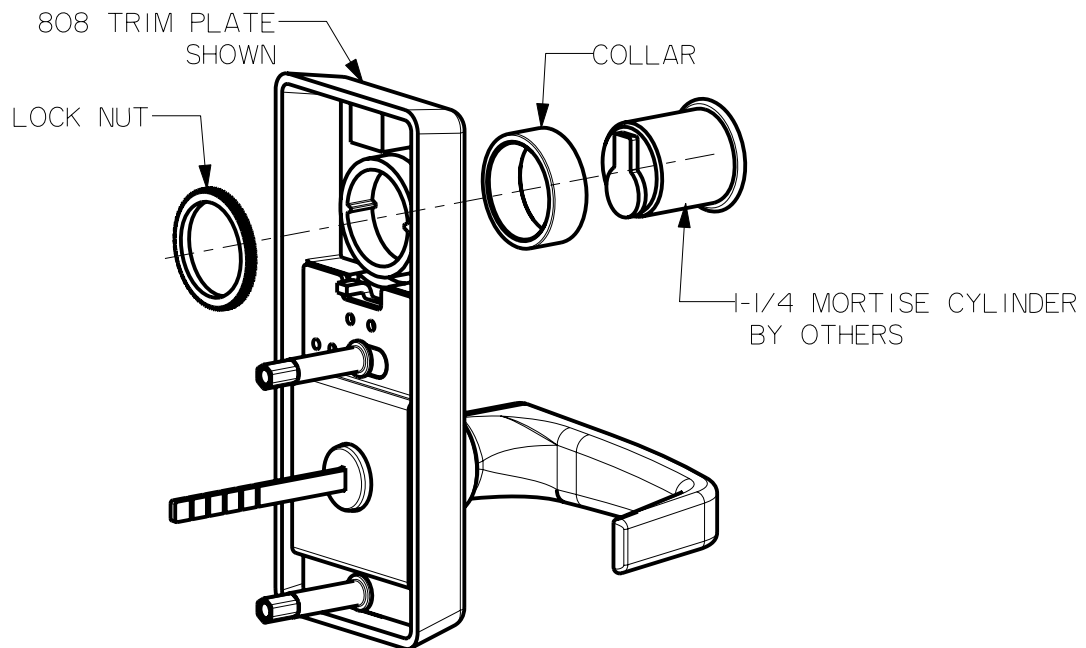


808, 814 TRIM INSTRUCTIONS

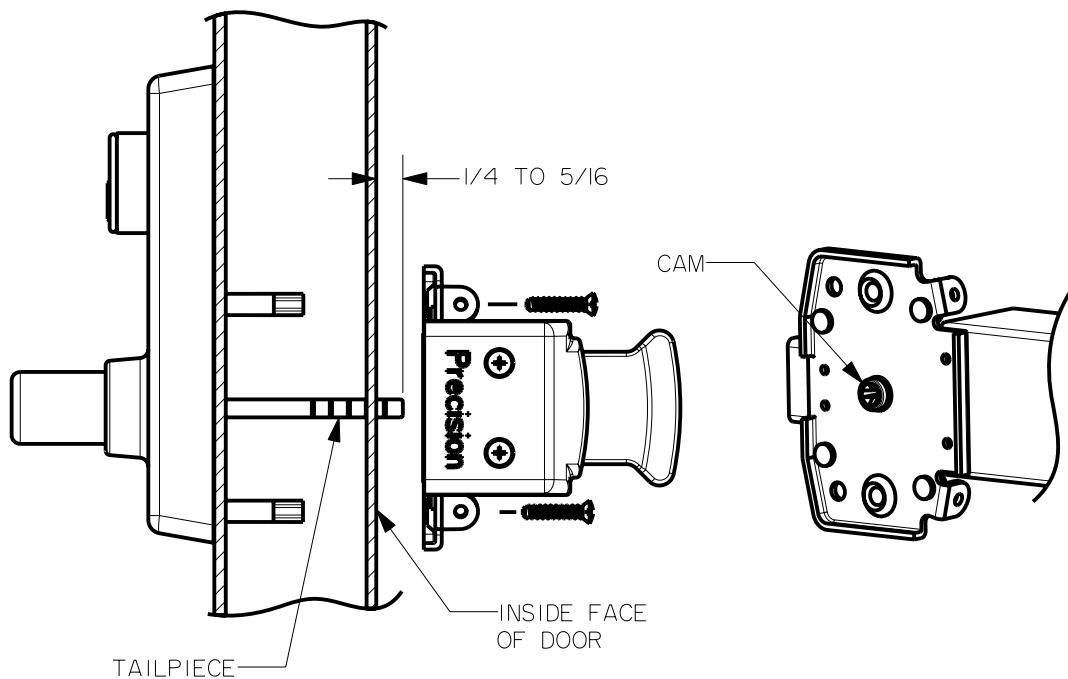
(SEE TEMPLATE FOR DOOR PREPARATION)

CYLINDER INSTALLATION



1. INSERT CYLINDER THROUGH COLLAR AND TRIM PLATE
2. SECURE CYLINDER BY TIGHTENING LOCKING NUT

TRIM INSTALLATION

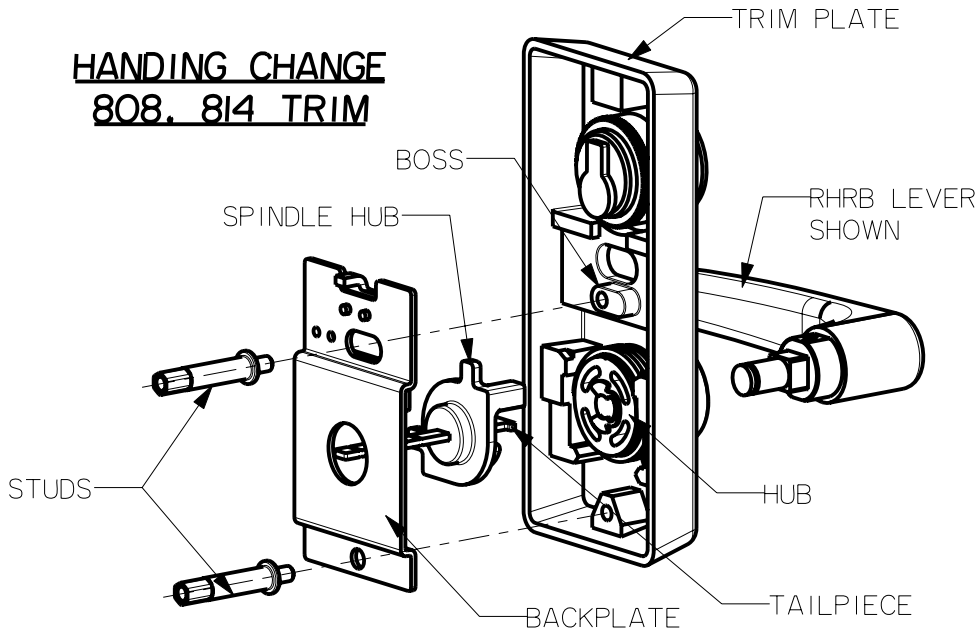


- INSERT TAILPIECE INTO THE CAM
- SECURE THE CHASSIS TO THE TRIM WITH SCREWS

808, 814 TRIM INSTRUCTIONS

(SEE TEMPLATE FOR DOOR PREPARATION)

HANDING CHANGE 808, 814 TRIM



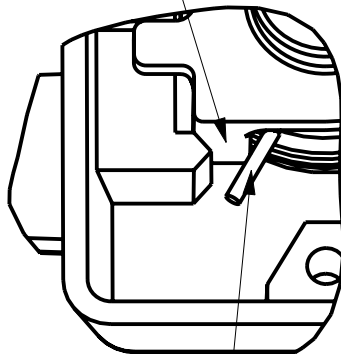
DISASSEMBLE

- 1) REMOVE BACKPLATE, SPINDLE HUB AND TAILPIECE BY REMOVING STUDS.

REASSEMBLE

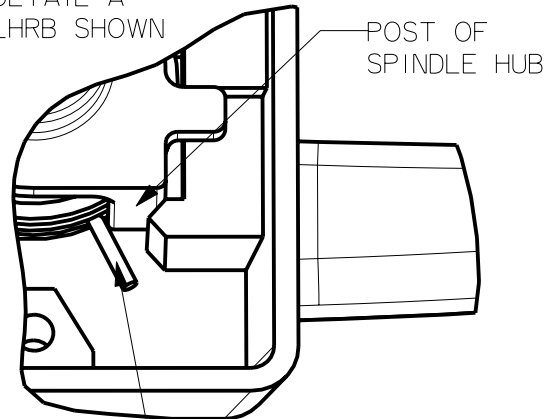
- 1) ROTATE LEVER 180°
- 2) LOCATE SPINDLE HUB INTO THE TRIM PLATE BY PLACING POST BEHIND THE SPRING LEG AS SHOWN BELOW.
- 3) INSTALL BACKPLATE ONTO THE SPINDLE HUB AND BOSS OF TRIM PLATE AND SECURE IT WITH THE STUDS.

POST OF SPINDLE HUB
DETAIL A
RHRB SHOWN



LEG OF SPRING

DETAIL A
LHRB SHOWN



LEG OF SPRING

STANLEY

phi

DRWG 01726-11-000 DATE 04/01/03 REVISION A

Precision Hardware
a Division of Stanley Security Solutions, Inc.
www.stanleysecuritysolutions.com