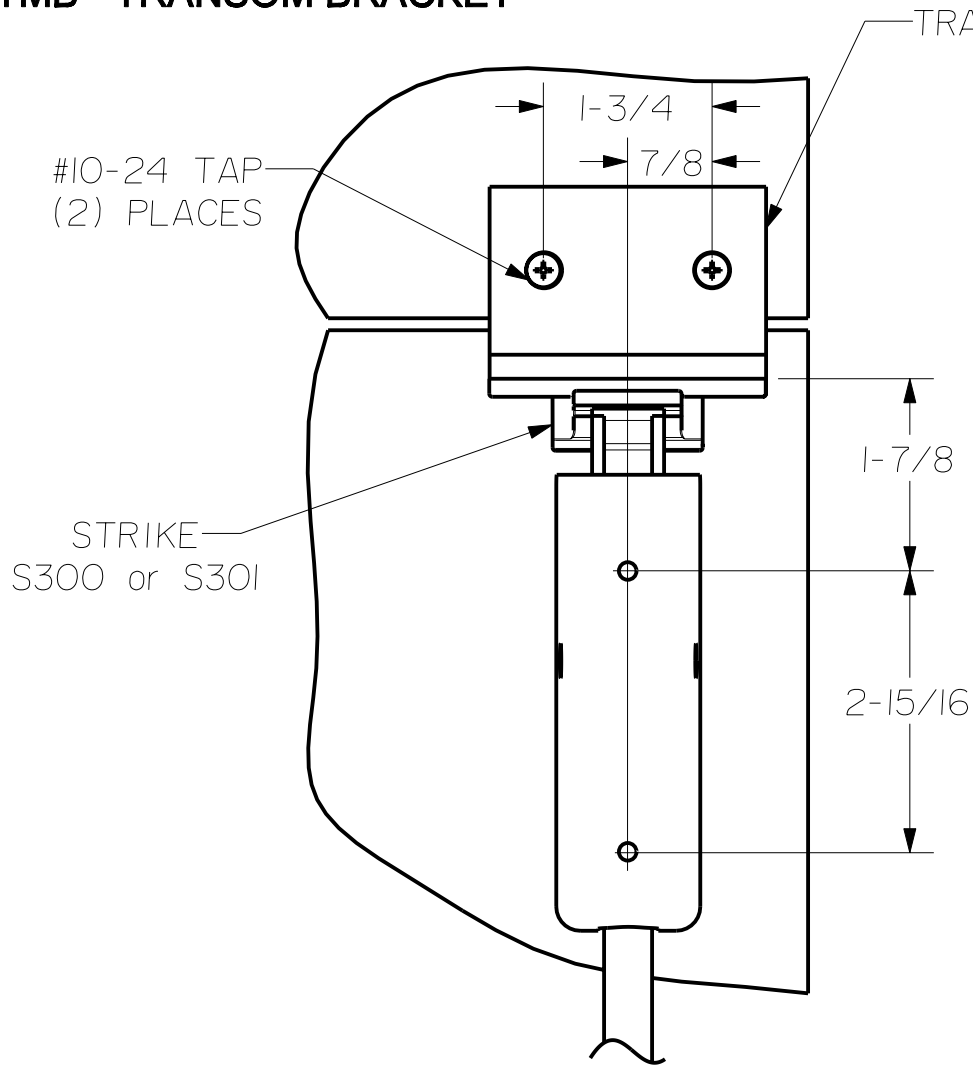
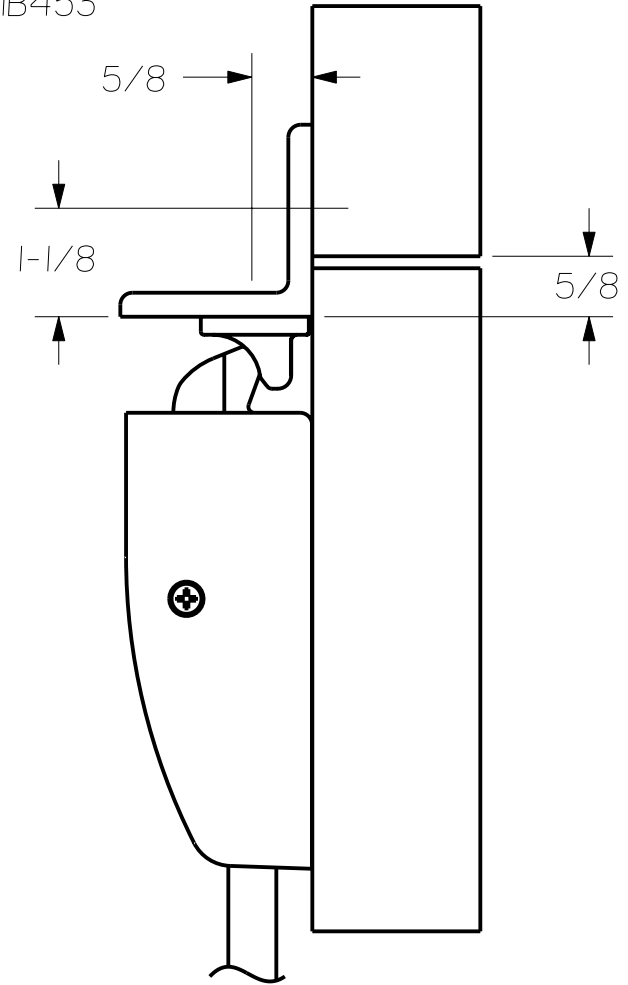


INSTALLATION INSTRUCTIONS

TMB - TRANSOM BRACKET



TRANSOM BRACKET
P/N TMB453



STANLEY

phi

DRWG 01945-11-000 DATE 05/01/04 REVISION B

Precision Hardware
a Division of Stanley Security Solutions, Inc.
www.stanleysecuritysolutions.com