

REINFORCEMENT REQUIREMENTS
 PROVIDE ADEQUATE REINFORCEMENT TO METAL COVERED COMPOSITE AND HOLLOW METAL DOORS FOR THE DRILLING AND TAPPING FOR THE MACHINE SCREWS.

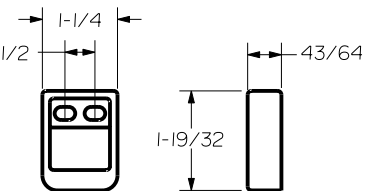
SEX NUTS AND BOLTS
 SEX BOLTS ARE REQUIRED FOR PLASTIC, WOOD, METAL COVERED COMPOSITE AND HOLLOW METAL DOORS WITHOUT REINFORCEMENT

SEX BOLT MACHINING
 DRILL 1/4 DIA. INSIDE
 DRILL 3/8 DIA. OUTSIDE

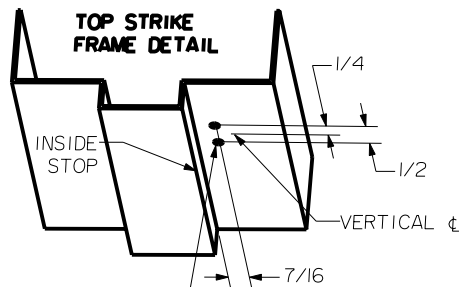
LBR DEVICES:
 OPENING TO GO 8" BELOW
 HORIZONTAL CL OF DEVICE

DOOR SKIN PLUS
 REINFORCEMENT - 5/32 MAX.

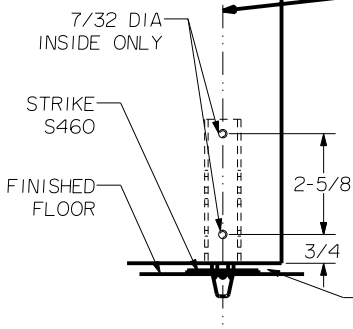
NOTCH THRU INSIDE
 FACE 1-5/8 DEEP



S519 TOP STRIKE
 (SURFACE APPLIED)



DRILL AND TAP FOR
 #10-24 SCREWS

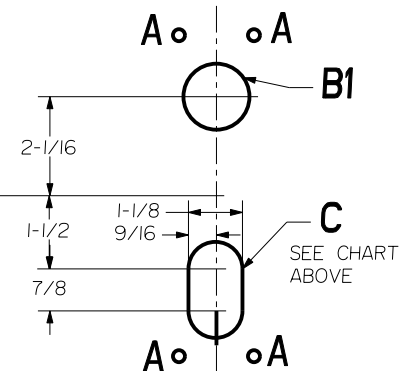
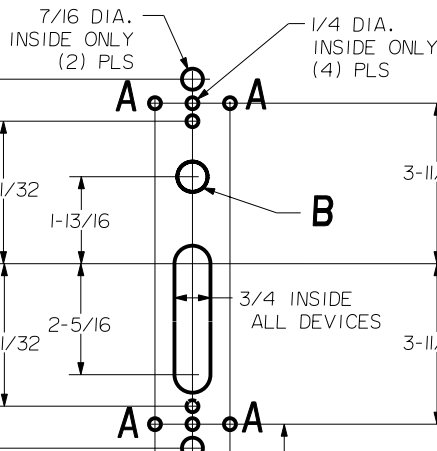


LBR DEVICES:
 OMIT BOTTOM BOLT MACHINING.
 FIRE BOLT REQ'D FOR FL DEVICES
 SEE DRAWING 01297-II-000 FOR DETAILS

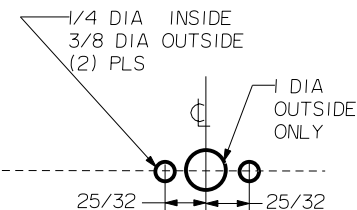
HOLE (4) PLS A	DEVICES	TRIMS	HOLE B	HOLE B1	HOLE C
#10-24 TAP INSIDE ONLY	2801.FL2801	EXIT ONLY	NO	NO	NO
1/4 DIA INSIDE 3/8 DIA OUTSIDE	2801.FL2801	C1701,4901			
	2802.FL2802	C1702,4902			
	2803.FL2803	C1703,4903	5/8 DIA INSIDE ONLY	1-3/8 DIA OUTSIDE ONLY	SLOT OUTSIDE ONLY
	2805.FL2805	C1705			
	2808.FL2808	4908,V4908	NO	NO	NO
2814.FL2814	4914				
2815.FL2815	C1715				

DEVICE SIDE MACHINING

TRIM SIDE MACHINING



BOTTOM HOLE MACHINING FOR 1700 SERIES TRIM WITH B GRIP ONLY



Precision Hardware a Division of Stanley Security Solutions, Inc. www.stanleysecuritysolutions.com			
DEVICE SERIES		TRIM SERIES	
2800, FL2800, 2800LBR, FL2800LBR		EXIT ONLY, C1700, 4900	
STRIKE NO.	RELEASED DATE	TEMPLATE NO.	REV
S519, S460	5/01/05	HM-2800A	C