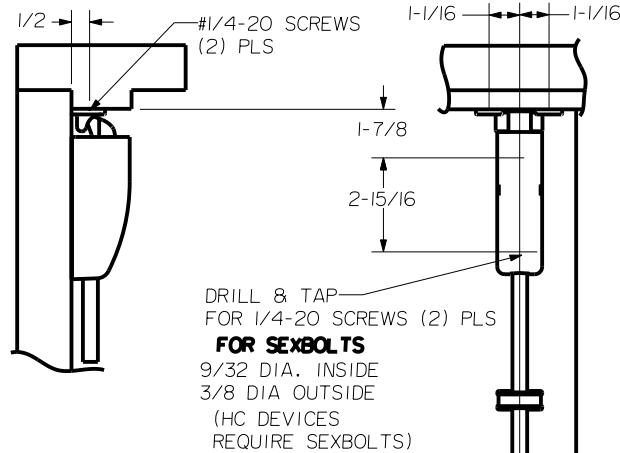


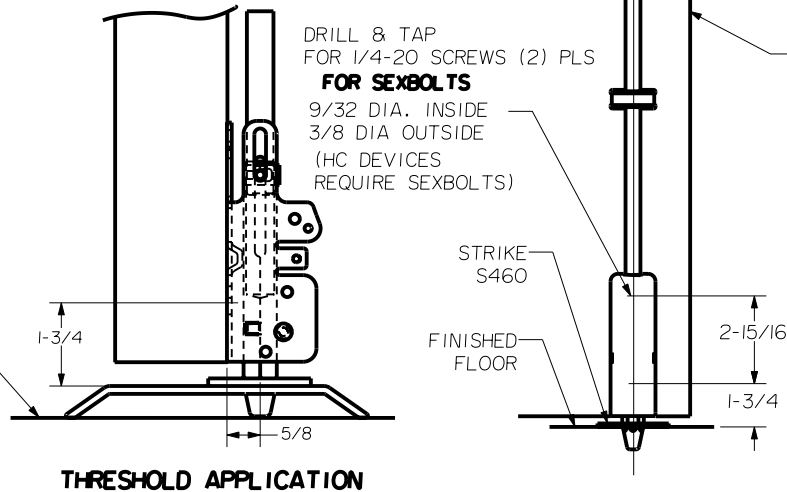
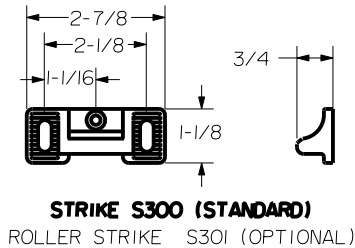
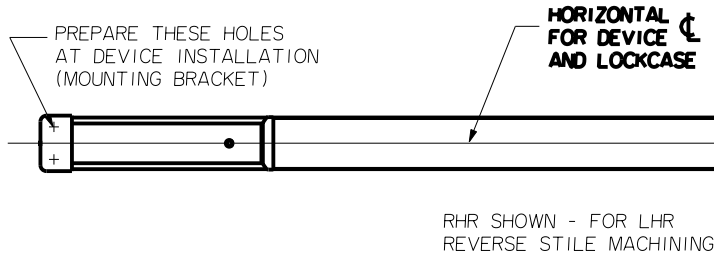
REINFORCEMENT REQUIREMENTS
 PROVIDE ADEQUATE REINFORCEMENT TO METAL COVERED COMPOSITE AND HOLLOW METAL DOORS FOR THE DRILLING AND TAPPING OF THE MACHINE SCREWS.

SEX NUTS AND BOLTS
 SEX BOLTS ARE REQUIRED FOR PLASTIC, WOOD, METAL COVERED COMPOSITE AND HOLLOW METAL DOORS WITHOUT REINFORCEMENT

SEX BOLT MACHINING
 HOLE "A" (4) PLS AND MOUNTING BRACKET
 DRILL 1/4 DIA INSIDE
 DRILL 3/8 DIA OUTSIDE



DRILL & TAP FOR 1/4-20 SCREWS (2) PLS
FOR SEXBOLTS
 9/32 DIA. INSIDE
 3/8 DIA OUTSIDE
 (HC DEVICES REQUIRE SEXBOLTS)

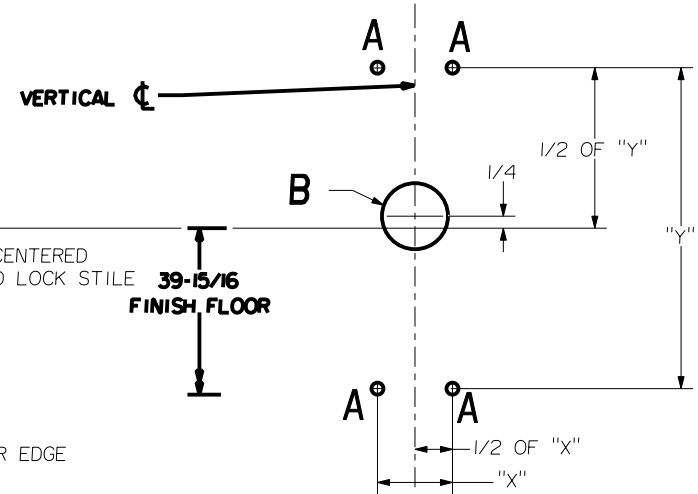


LBR DEVICES:
 OMIT BOTTOM BOLT MACHINING.
 FIRE BOLT REQ'D FOR FL DEVICES
 SEE DRAWING 01297-II-000 FOR DETAILS

HOLE (4) PLS A	DEVICES	TRIMS	HOLE B
#10-24 TAP INSIDE ONLY	22. FL22	CYL ONLY	1-3/16 DIA. OUTSIDE 1-3/8 DIA. INSIDE
1/4 DIA INSIDE	22. FL22	SEE TRIM INSTRUCTIONS	1" DIA. MIN.

NOTE: THIS DEVICE IS COMPATIBLE WITH OTHER MANUFACTURERS ACCESS CONTROL EXTERIOR TRIM. REFER TO INSTRUCTIONS FOR MOUNTING OF TRIM.

LOCK STILE MACHINING



"X" DIM	"Y" DIM
1-9/16"	6-11/16"
ALTERNATE HOLES	
1-3/8"	7"

STANLEY
phi
 Precision Hardware
 a Division of Stanley Security Solutions, Inc.
 www.stanleysecuritysolutions.com

DEVICE SERIES		TRIM SERIES	
22, FL22, 22LBR, FL22LBR		CYL ONLY ,OTHER TRIM	
STRIKE NO.	RELEASED DATE	TEMPLATE NO.	REV
S300, S30I, S460	5/01/05	HM-22A	C