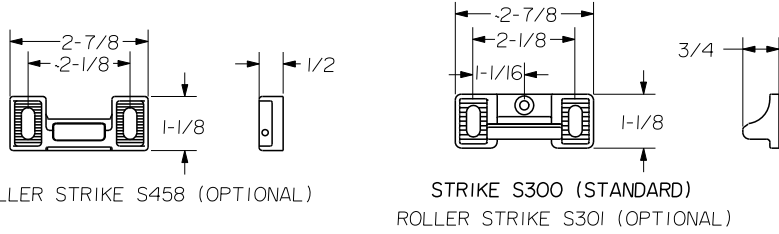


**REINFORCEMENT REQUIREMENTS**  
 PROVIDE ADEQUATE REINFORCEMENT TO METAL COVERED COMPOSITE AND HOLLOW METAL DOORS FOR THE DRILLING AND TAPPING FOR THE MACHINE SCREWS.

**SEX NUTS AND BOLTS**  
 SEX BOLTS ARE REQUIRED FOR PLASTIC, WOOD, METAL COVERED COMPOSITE AND HOLLOW METAL DOORS WITHOUT REINFORCEMENT

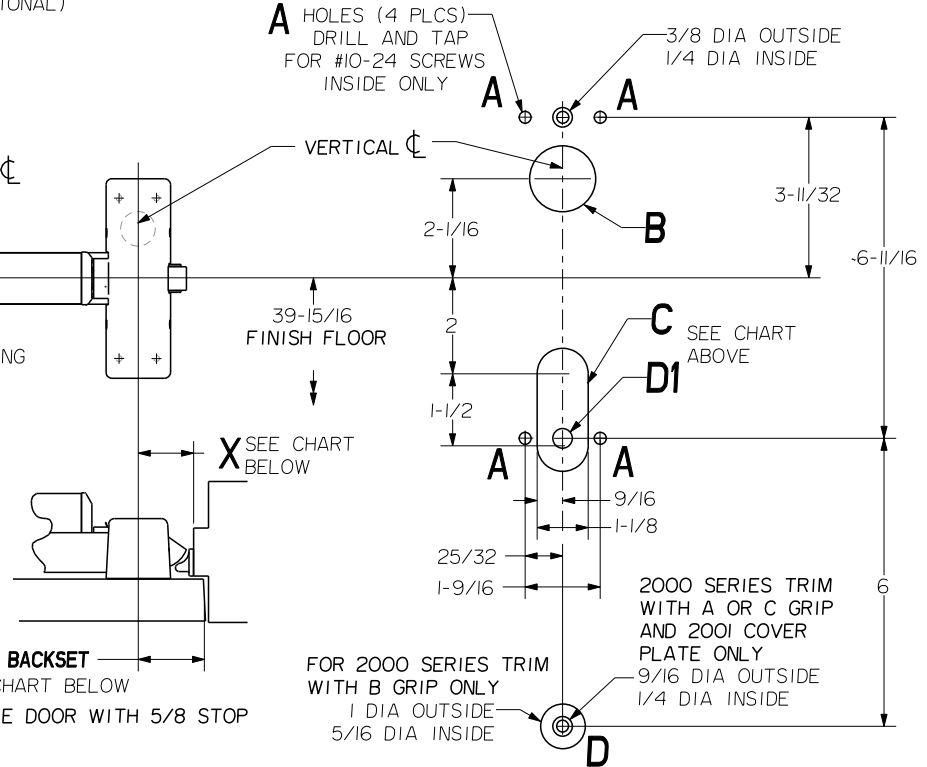
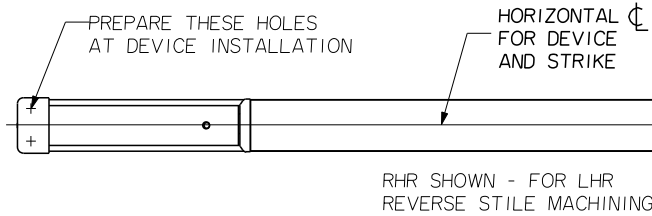
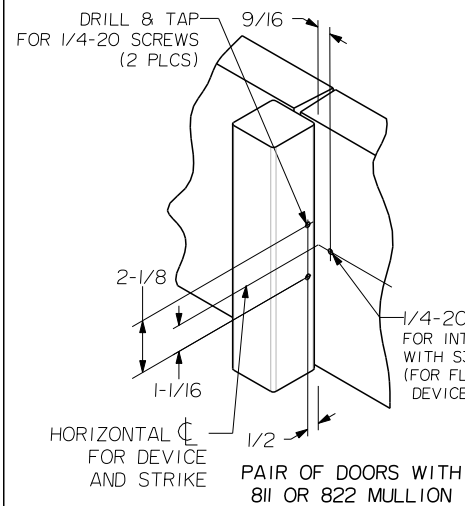
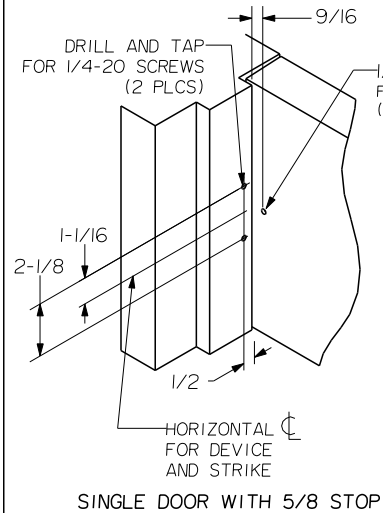
**SEX BOLT MACHINING**  
 DRILL 1/4 DIA. INSIDE  
 DRILL 3/8 DIA. OUTSIDE

NOTE:  
 "LETTER" AT END OF TRIM MODEL NO. DESIGNATES GRIP STYLE. EXCEPT AS NOTED, GRIP STYLE HAS NO EFFECT ON STILE MACHINING.



DEVICES	TRIMS	HOLE B 1-3/8 DIA THRU DOOR	SLOT C THRU DOOR	D1
2101,FL2101	2001	NO	NO	3/8 DIA OUTSIDE 1/4 DIA INSIDE
2102,FL2102	2002			
2103,FL2103	2003	YES	YES	NO
E2103,FLE2103	2005			
2105,FL2105	N/A			
2110,FL2110	N/A	NO		
2115,FL2115	2015			

**LOCK STILE MACHINING**



STRIKE	APPLICATION	BACKSET	MIN. STILE	DIM X
S300 S301	SINGLE DOOR	2-3/4	4-1/4	2-1/4
	PAIR OF DOORS	3-1/8	4-5/8	
S458	SINGLE DOOR	2-9/16	4	2-1/16
	PAIR OF DOORS	2-15/16	4-3/8	

**STANLEY**  
**phi**  
 Precision Hardware  
 a Division of Stanley Security Solutions, Inc.  
 www.stanleysecuritysolutions.com

DEVICE SERIES		TRIM SERIES	
2100, FL2100		2000	
STRIKE NO.	RELEASED DATE	TEMPLATE NO.	REV
S300, S301, S458	6/14/10	HM-2100B	D