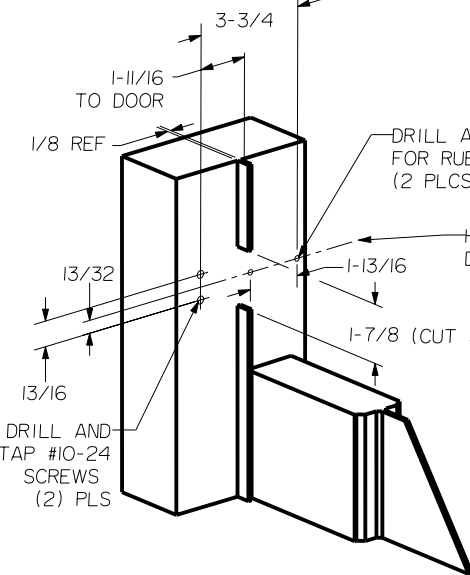


**SEX BOLT MACHINING**

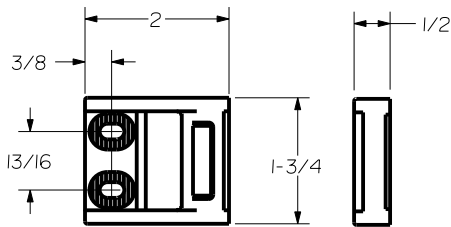
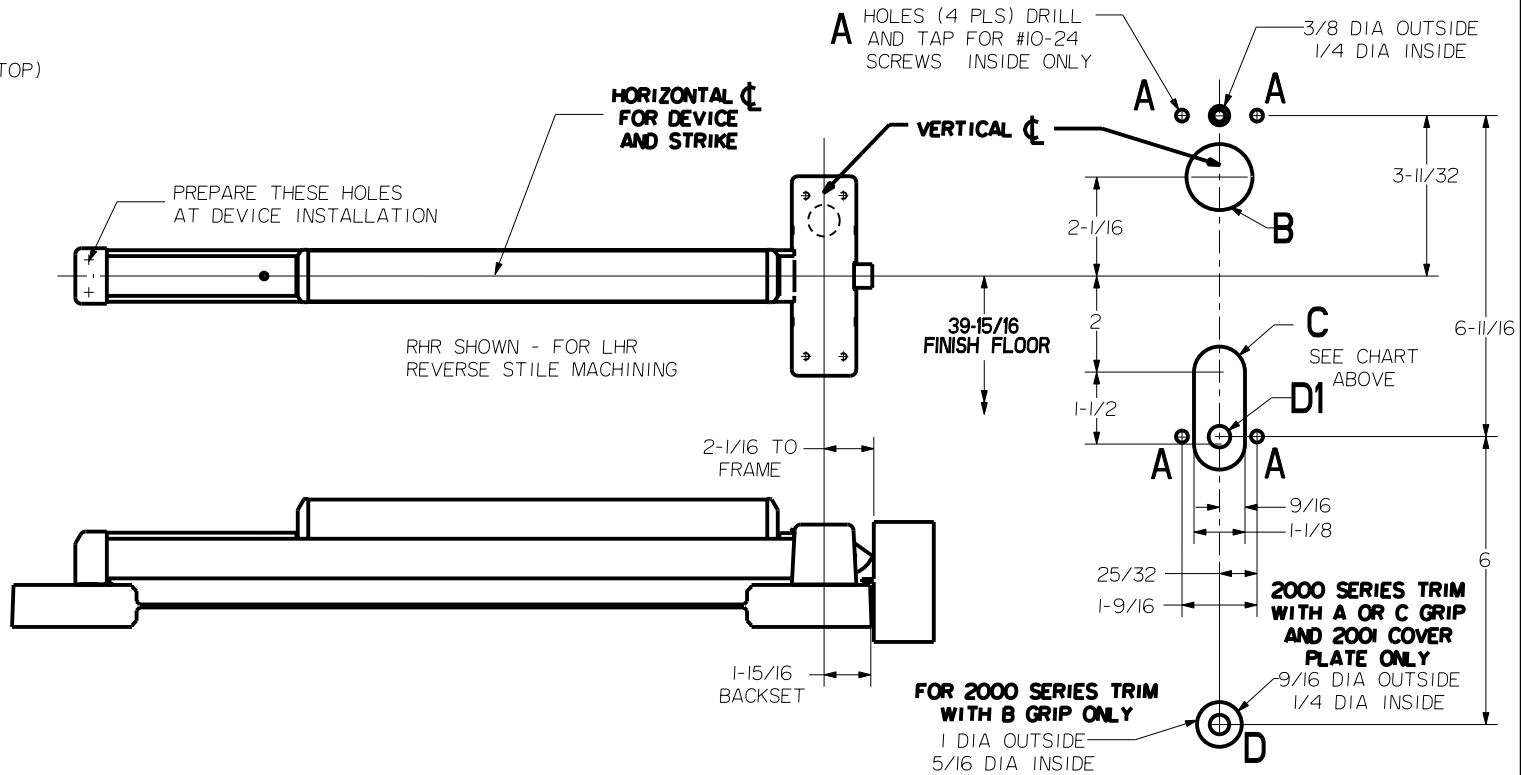
DRILL 1/4 DIA. INSIDE  
DRILL 3/8 DIA. OUTSIDE



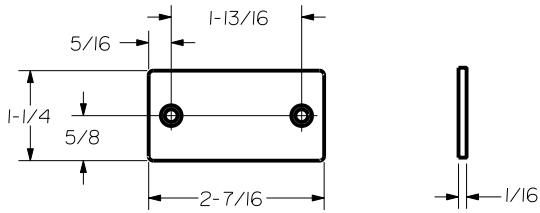
NOTE: "LETTER" AT END OF TRIM MODEL NO. DESIGNATES GRIP STYLE. EXCEPT AS NOTED, GRIP STYLE HAS NO EFFECT ON STILE MACHINING.

DEVICES	TRIMS	HOLE B 1-3/8 DIA. THRU DOOR	HOLE C THRU DOOR	D1
2101	2001	NO	NO	3/8 DIA OUTSIDE 1/4 DIA INSIDE
2102	2002			
2103	2003			
E2103	2005	YES	YES	NO
2108				
2110				
2115	2015	NO		

**LOCK STILE MACHINING**



ROLLER STRIKE S988 (STANDARD)



RUB STRIP S454 (STANDARD)

ALUMINUM DOOR AND FRAME WITH BLADE OR APPLIED STOP		
MIN. STILES	DEVICE SIZE	DOOR WIDTH
3-1/2"	3'-0"	2'-6" TO 2'-11"
	4'-0"	3'-0" TO 3'-11"
4-1/4 OR FLUSH DOOR	3'-0"	2'-7" TO 3'-0"
	4'-0"	3'-1" TO 4'-0"

STANLEY  
**phi**  
Precision Hardware  
a Division of Stanley Security Solutions, Inc.  
www.stanleysecuritysolutions.com

DEVICE SERIES		TRIM SERIES	
2100		2000	
STRIKE NO.	RELEASED DATE	TEMPLATE NO.	REV
S988	5/1/05	AL-2100B	C