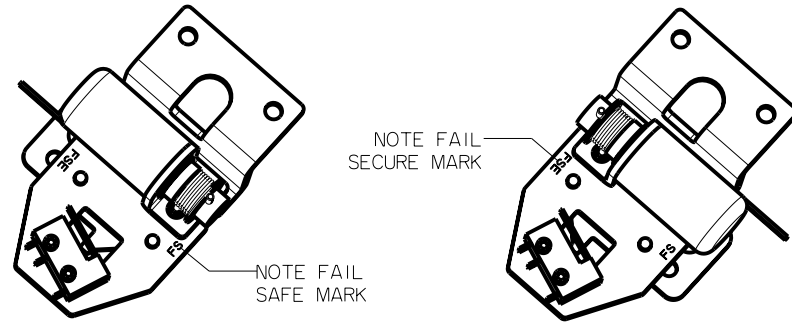
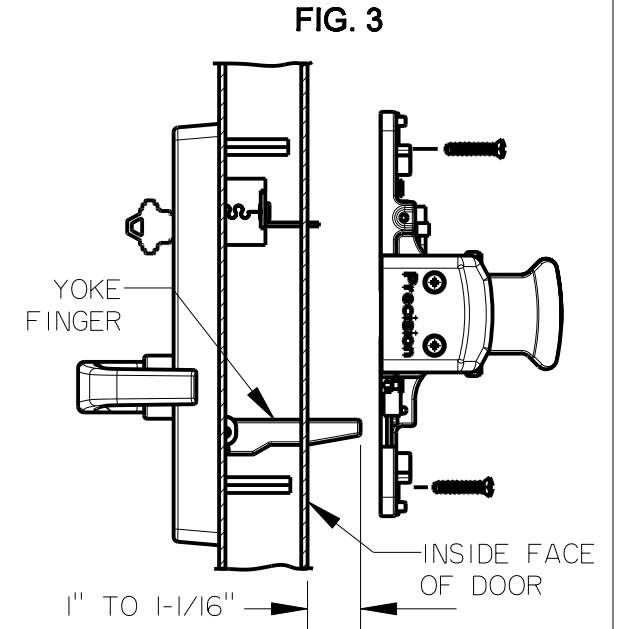
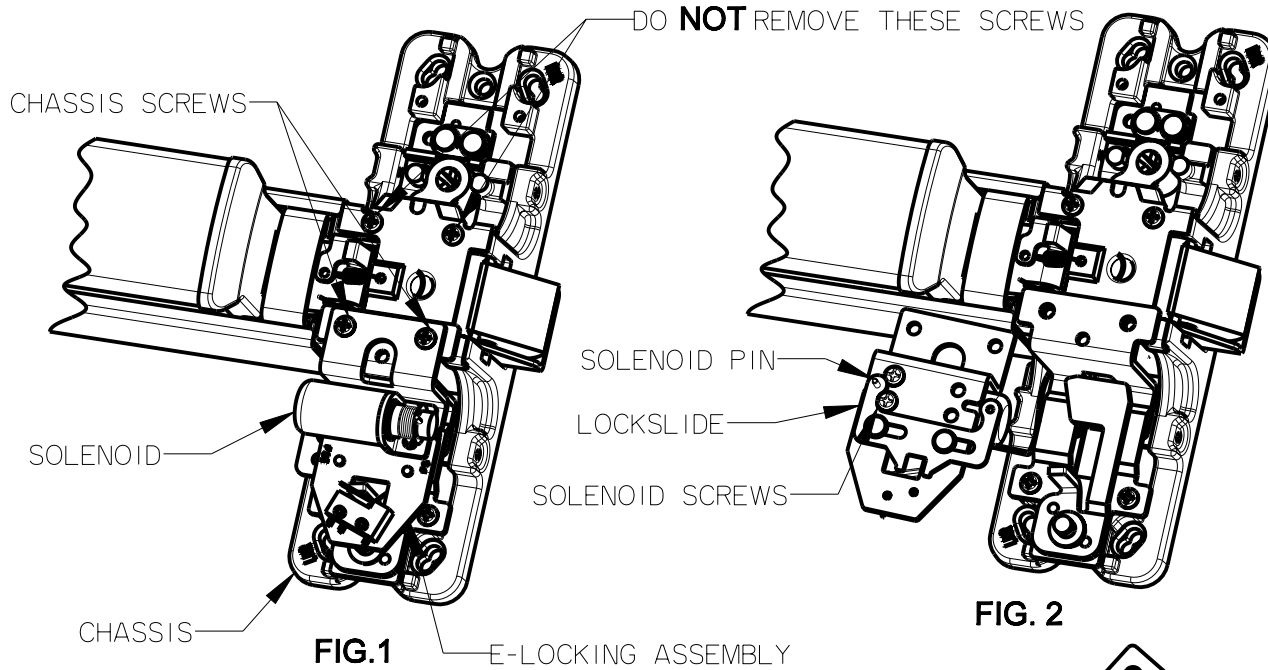


INSTALLATION INSTRUCTIONS

E-2103 ELECTRIC RIM DEVICE - LOCK/UNLOCK FAIL SAFE/FAIL SECURE CONVERSION



FAIL SAFE
(POWER OFF = TRIM UNLOCKED)

FAIL SECURE
(POWER OFF = TRIM LOCKED)

1. Remove 2 Chassis screws to remove the E-Locking assembly (Fig. 1)
2. Remove 2 Solenoid screws, slide Solenoid pin out of the Lockslide. (Fig. 2)
3. Reassemble with Solenoid pin to opposite side of the Lockslide, reattach with Solenoid screws
4. Reattach E-locking assembly with Chassis screws.

STANLEY

phi

DRWG 01966-11-000 DATE 6/10/03 REVISION A

Precision Hardware
a Division of Stanley Security Solutions, Inc.
www.stanleysecuritysolutions.com