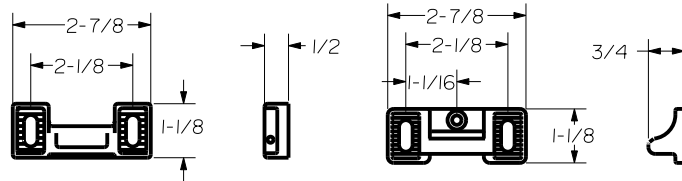


REINFORCEMENT REQUIREMENTS
 PROVIDE ADEQUATE REINFORCEMENT TO METAL COVERED COMPOSITE AND HOLLOW METAL DOORS FOR THE DRILLING AND TAPPING FOR THE MACHINE SCREWS.

SEX NUTS AND BOLTS
 SEX BOLTS ARE REQUIRED FOR PLASTIC, WOOD, METAL COVERED COMPOSITE AND HOLLOW METAL DOORS WITHOUT REINFORCEMENT

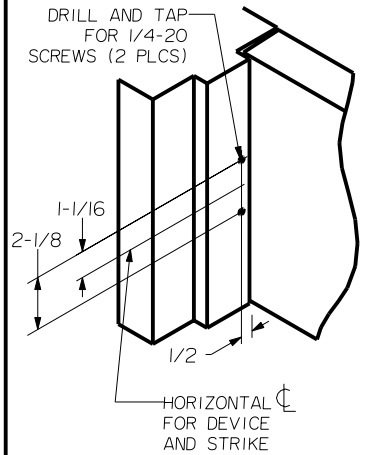
SEX BOLT MACHINING
 DRILL 1/4 DIA. INSIDE
 DRILL 3/8 DIA. OUTSIDE

NOTE:
 "LETTER" AT END OF TRIM MODEL NO. DESIGNATES LEVER STYLE. EXCEPT AS NOTED, LEVER STYLE HAS NO EFFECT ON STILE MACHINING.

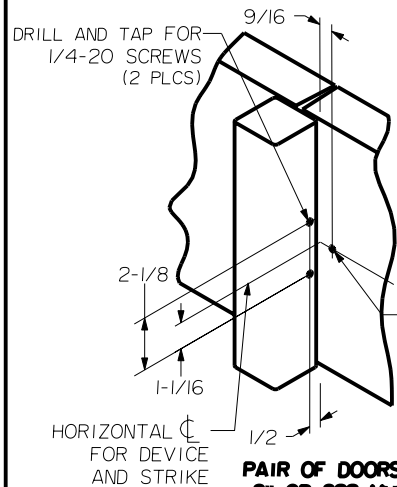


ROLLER STRIKE S458 (STANDARD)

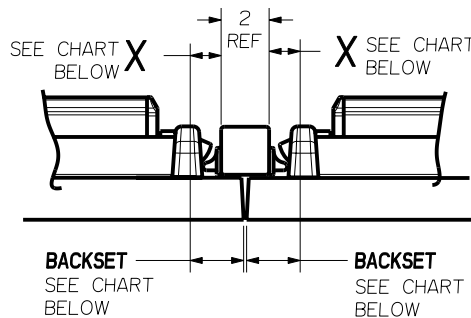
**STRIKE S300 (OPTIONAL)
 ROLLER STRIKE S301 (OPTIONAL)**



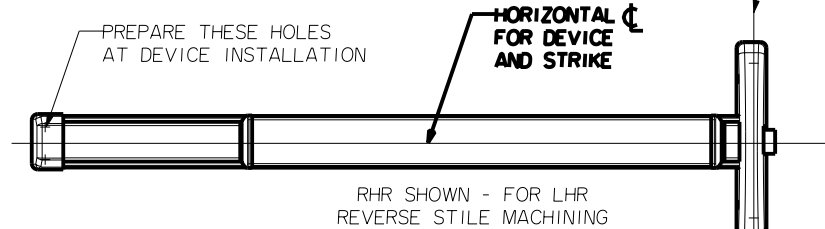
SINGLE DOOR WITH 5/8 STOP



PAIR OF DOORS WITH 811 OR 822 MULLION

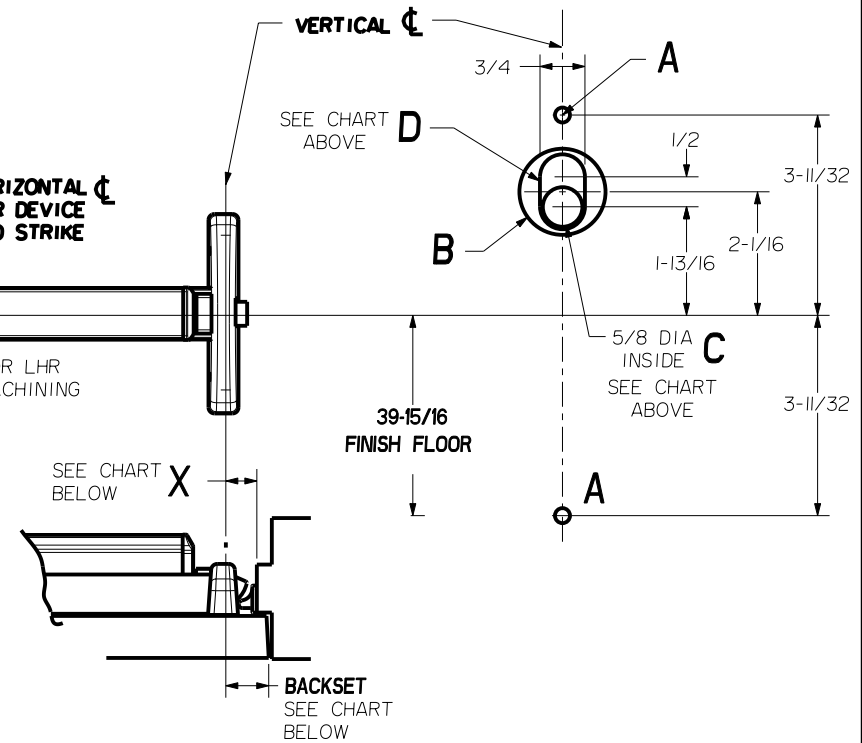


PAIR OF DOORS WITH 811 OR 822 MULLION



HOLE (2) PLS	A	DEVICES	TRIMS	HOLE B	HOLE C	SLOT D
#10-24 TAP INSIDE ONLY	240I,FL240I	EXIT ONLY		NO	NO	NO
	2403,FL2403	CYL ONLY		1-3/16 DIA. OUTSIDE		3/4 SLOT INSIDE
1/4 DIA INSIDE 13/32 DIA OUTSIDE	240I,FL240I	290I		NO	YES	NO
	2402,FL2402	2902				
	2403,FL2403	2903		1-7/16 DIA OUTSIDE		

LOCK STILE MACHINING



SINGLE DOOR WITH 5/8 STOP

STRIKE	APPLICATION	BACKSET	MIN. STILE	DIM X
S300 S301	SINGLE DOOR	1-15/16	2-7/8	1-7/16
	PAIR OF DOORS	2-3/8	3-1/4	
S458	SINGLE DOOR	1-11/16	2-5/8	1-3/16
	PAIR OF DOORS	2-1/8	3	

STANLEY
phi
 Precision Hardware
 a Division of Stanley Security Solutions, Inc.
 www.stanleysecuritysolutions.com

DEVICE SERIES		TRIM SERIES	
2400, FL2400		EXIT ONLY, CYL ONLY, 290I,2902,2903	
STRIKE NO.	RELEASED DATE	TEMPLATE NO.	REV
S300, S301, S458	5/01/05	HM-2400A	C