

**Roses and
rose liners**

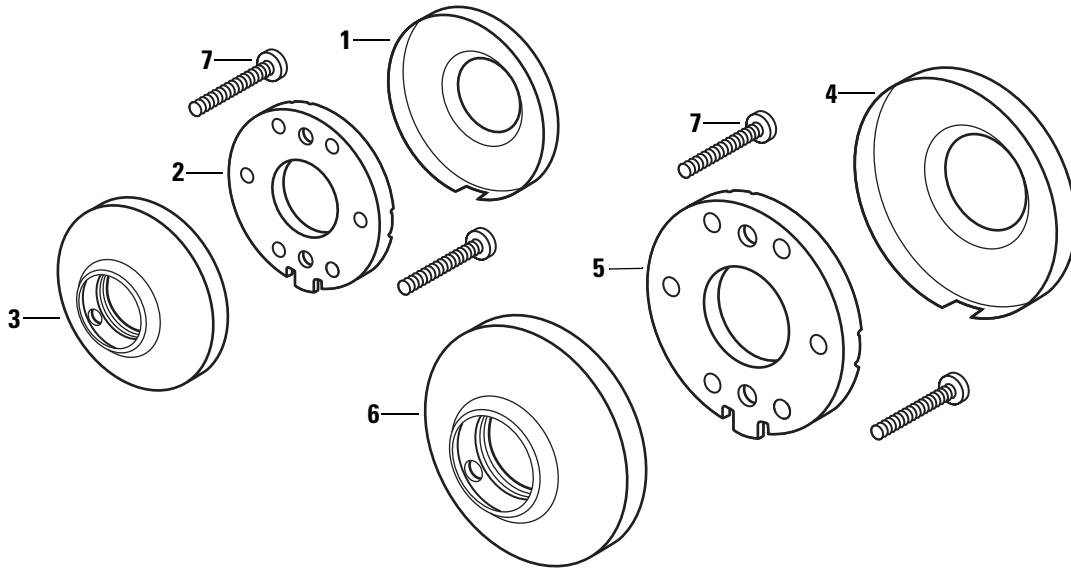


Figure 2.13 Roses and rose liners

Roses and rose liners parts list

| Item | For rose | Part No. | Qty. | Description |
|------|----------|----------|------|---------------------------------------|
| 1 | C | B80010 | 1 | Small rose |
| 2 | C | C80014 | 1 | Small liner |
| 3 | C | B80108 | 1 | Small outside rose and liner assembly |
| 4 | D | B80009 | 1 | Large rose |
| 5 | D | C80013 | 1 | Large liner |
| 6 | D | B80109 | 1 | Large rose and liner assembly |
| 7 | C & D | A80041 | 2 | Through-bolt screw |