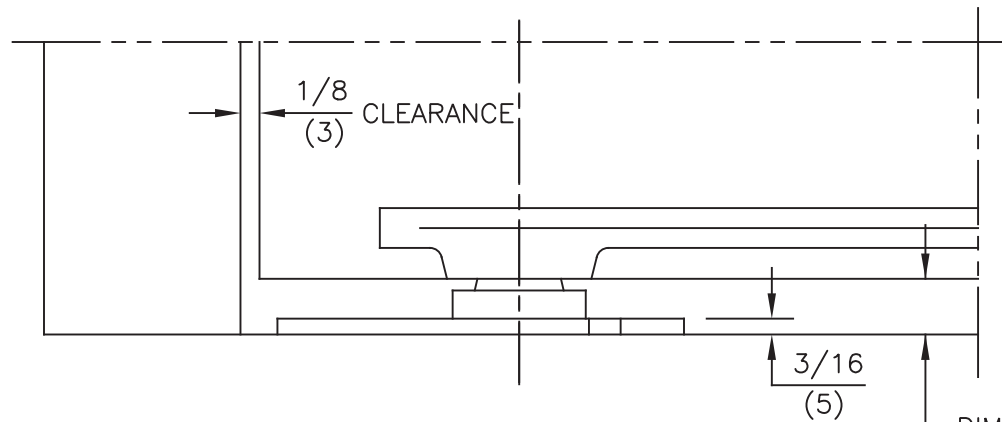


NOTES:

1. DO NOT SCALE DRAWING.
2. DIMENSIONS ARE IN INCHES\MM.
3. DIMENSION "A" IS DISTANCE FROM BOTTOM OF PIVOT TO BOTTOM OF ARM. WHEN BOTTOM ARM IS INSTALLED TO THE STANDARD TEMPLATE, THIS IS ALSO EQUAL TO THE BOTTOM DOOR CLEARANCE.

FOR WOOD FLOORS USE 1/8" DRILL
 FOR CONCRETE FLOORS USE 1/4" DRILL 1" DEEP
 THREE (3) HOLES



DIM. "A"
 SEE NOTE #3

SPINDLE SIZE	DIM. "A"
STD.	3/4 (19)
5mm	7/8 (22)
10mm	1-1/16 (27)
15mm	1-1/4 (32)
20mm	1-7/16 (37)
25mm	1-5/8 (42)
30mm	1-7/8 (47)
35mm	2-1/16 (52)
40mm	2-1/4 (57)
45mm	2-7/16 (62)

NOT TO SCALE. MEASUREMENTS ARE FOR REFERENCE ONLY. NOT A DRILLING TEMPLATE.

ITEM No. 7471K
 CENTER HUNG FLOOR BEARING INSTALLATION
 FOR USE WITH 7421, 7422, BOTTOM ARMS

