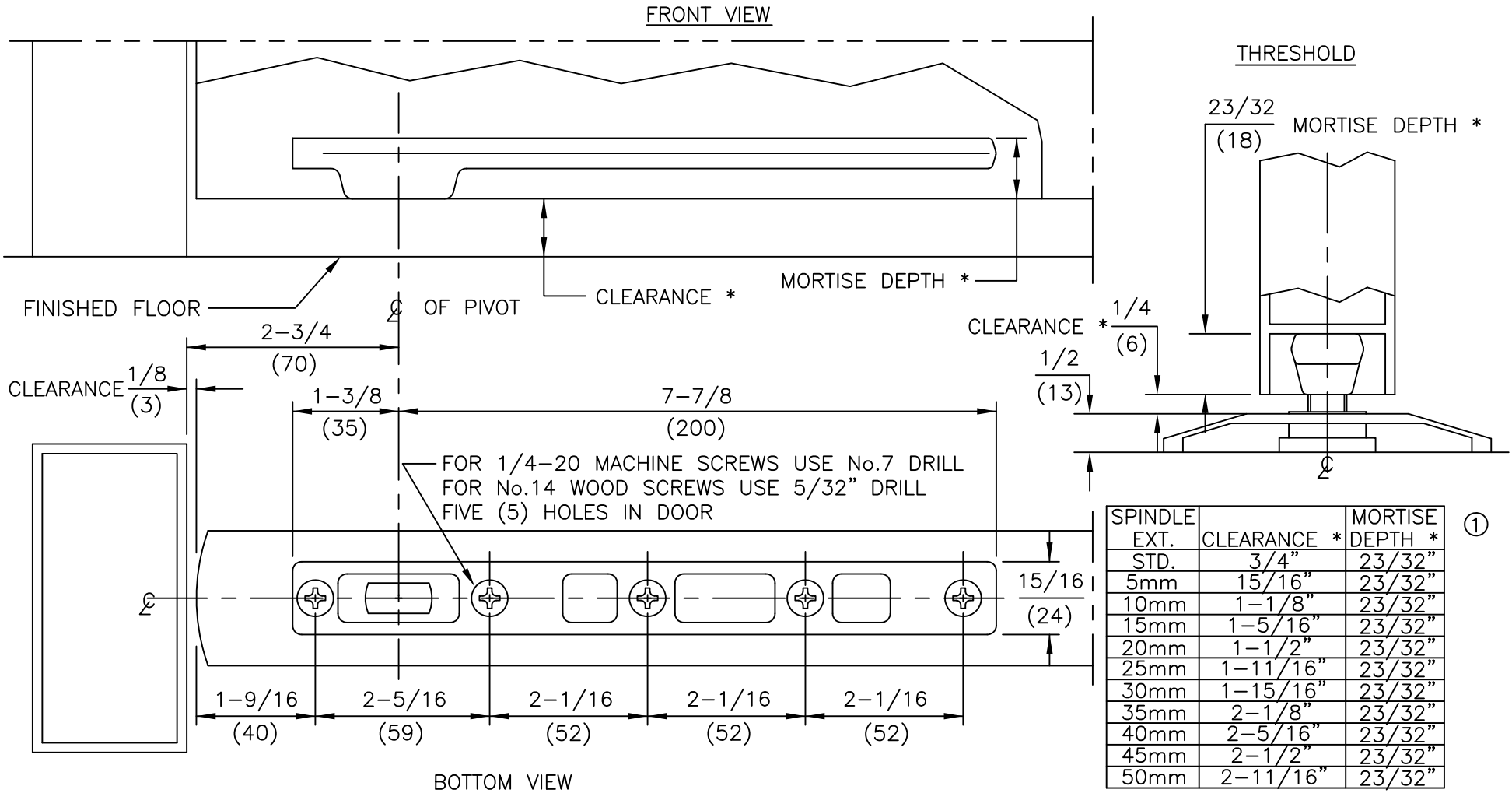


NOTES

1. DO NOT SCALE DRAWING.
2. DIMENSIONS ARE IN INCHES/(MM).
3. ALL NECESSARY REINFORCEMENT FOR ARM BY OTHERS.



ITEM No. 7421
 CENTER HUNG BOTTOM ARM
 FOR USE WITH 7471K FLOOR BEARING

