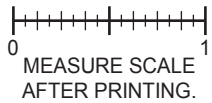
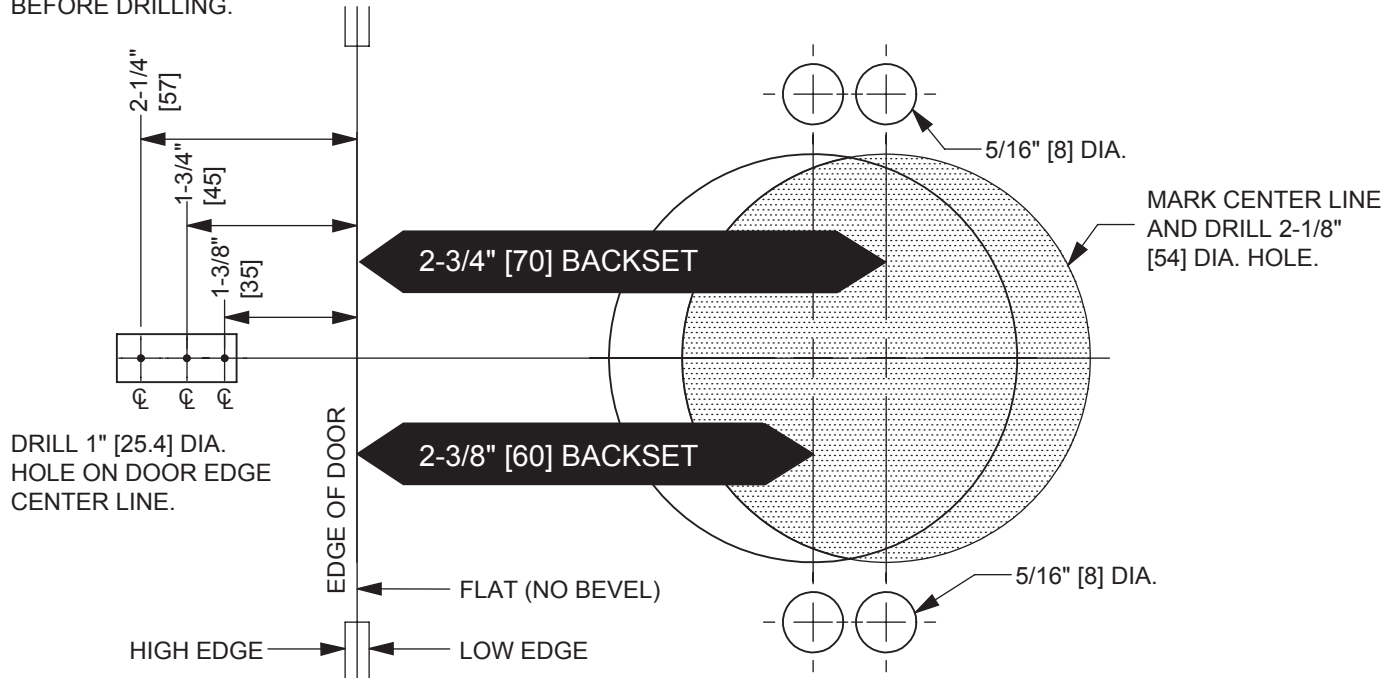


VERIFY EXACTLY
1" [25.4].



IMPORTANT:
CHECK DOOR
THICKNESS
BEFORE DRILLING.



TEMPLATE TO SCALE 1:1

WOOD OR METAL DOORS FOR:
T900 SERIES C800/CL700 LEVER

