

Keyed Visual Indicator Trim Installation Instructions

Spanish and French translations are available at <https://dhwsupport.dormakaba.com/hc/en-us/articles>



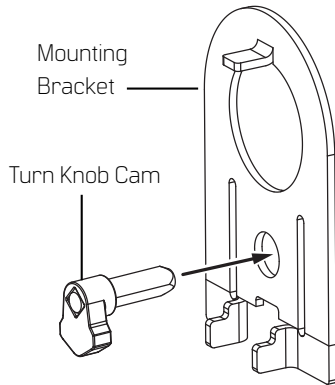
dormakaba Group

1

INSTALLING TURN KNOB CAM.

Begin with lock in locked position.

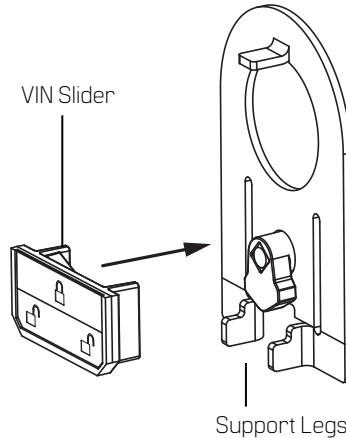
Place mounting bracket against door and install turn knob cam with cam facing down as shown.



2

INSTALLING VIN SLIDER.

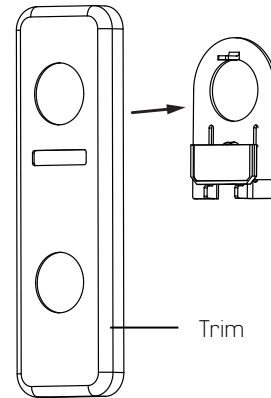
Position VIN slider on top of turn knob cam resting on the support legs.



3

INSTALLING TRIM.

Position trim over indicator and install cylinder and levers as normal.



NOTE: Inside escutcheon screw will surface mount, not through-bolt with the VIN option.



Scan for product details and downloads.

Call 1-800-392-5209 or visit

<https://dhwsupport.dormakaba.com/hc/en-us>
for assistance and warranty information.