

45H Vestibule Function Supplemental Instructions

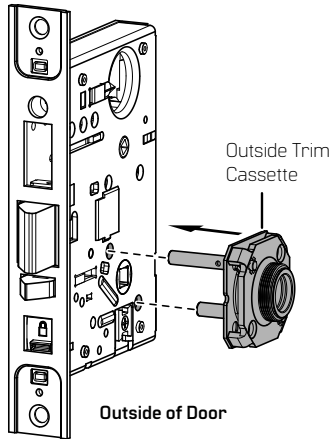
Spanish and French translations are available at <https://dhwsupport.dormakaba.com/hc/en-us/articles>



dormakaba Group

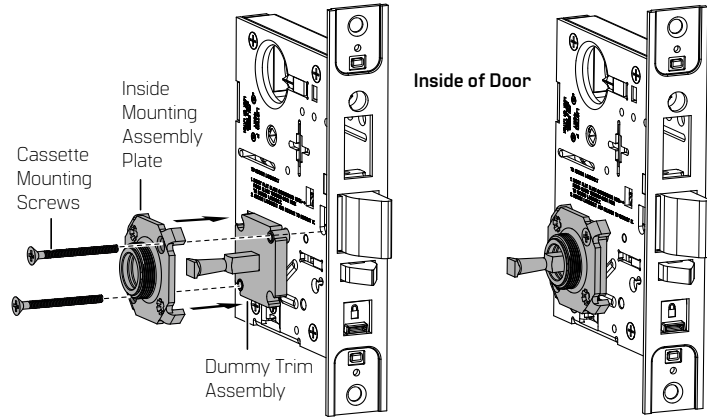
1 INSTALLING OUTSIDE TRIM CASSETTE.

- 1.1 Slide outside trim cassette through mortise case.



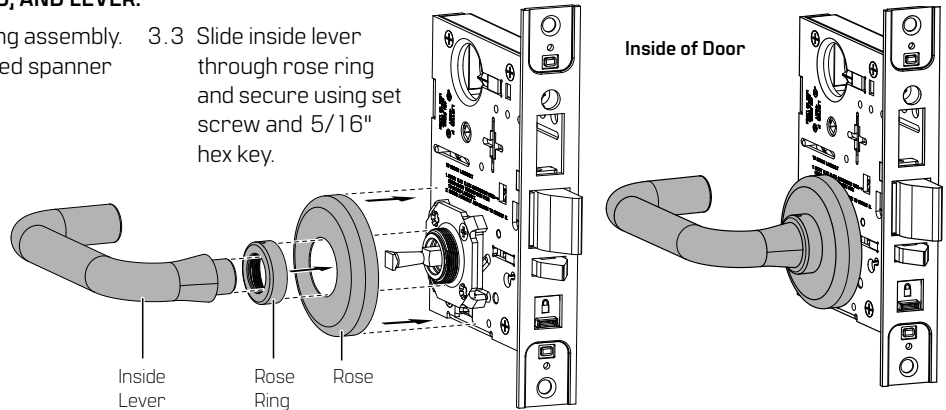
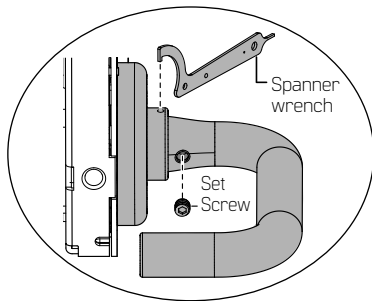
2 SECURING DUMMY TRIM ASSEMBLY AND INSIDE MOUNTING PLATE.

- 2.1 Position dummy trim assembly against mortise case.
- 2.2 Secure inside mounting assembly plate over dummy trim assembly with cassette mounting screws.



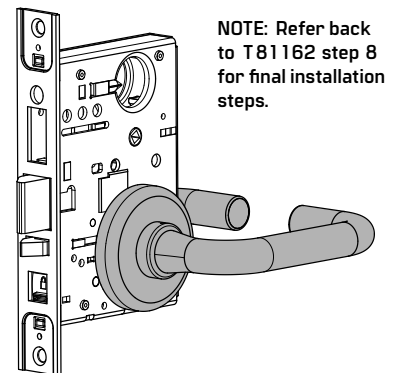
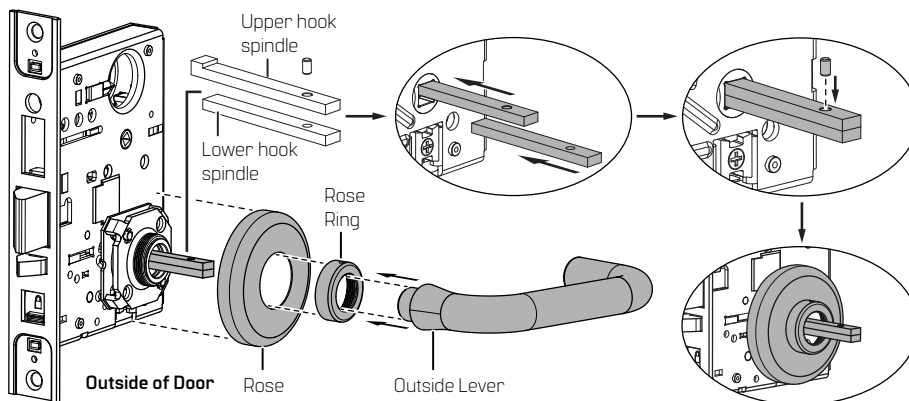
3 INSTALLING INSIDE ROSE, ROSE RING, AND LEVER.

- 3.1 Position rose over inside mounting assembly.
- 3.2 Position rose ring and use included spanner wrench to twist until secure.
- 3.3 Slide inside lever through rose ring and secure using set screw and 5/16" hex key.



4 INSTALLING HOOK SPINDLE, OUTSIDE ROSE, ROSE RING, AND LEVER.

- 4.1 Slide upper hook spindle through trim cassette, pressing upward until latch aligns with divot in mortise hub. Hold in position.
- 4.2 Slide lower spindle inward until pin holes align.
- 4.3 Secure assembly with pin.
- 4.4 Refer back to step 3 to secure outer rose, rose ring, and lever.



NOTE: Refer back to T81162 step 8 for final installation steps.



Scan for product details and downloads.
Call 1-800-392-5209 or visit
<https://dhwsupport.dormakaba.com/hc/en-us>