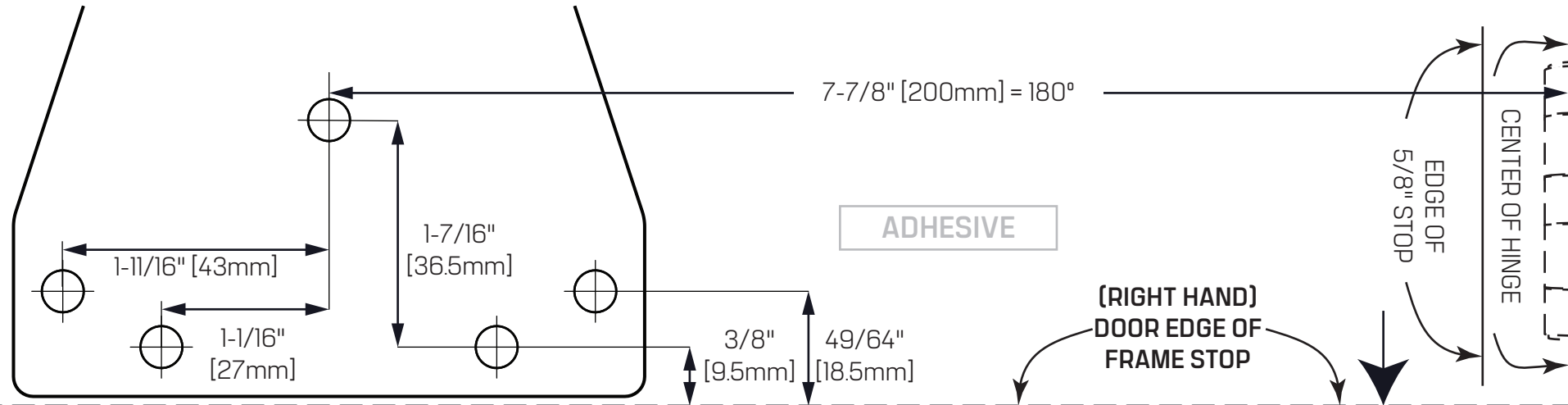


**Door Closer Model:
EHD9016 P.A. Mount
Template/Drilling Instructions**

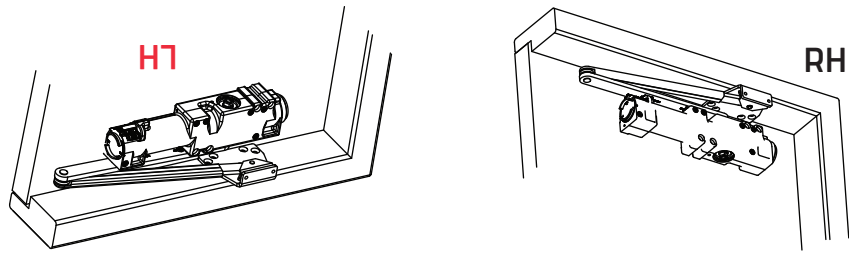
For online instructions, assistance or warranty information:
Call 1-800-392-5209 or visit <https://dhwsupport.dormakaba.com/hc/en-us>

**180° TEMPLATE
P.A. Mount**



↑ TEAR ALONG PERFORATED LINE ↑

↓ TEAR ALONG PERFORATED LINE ↓



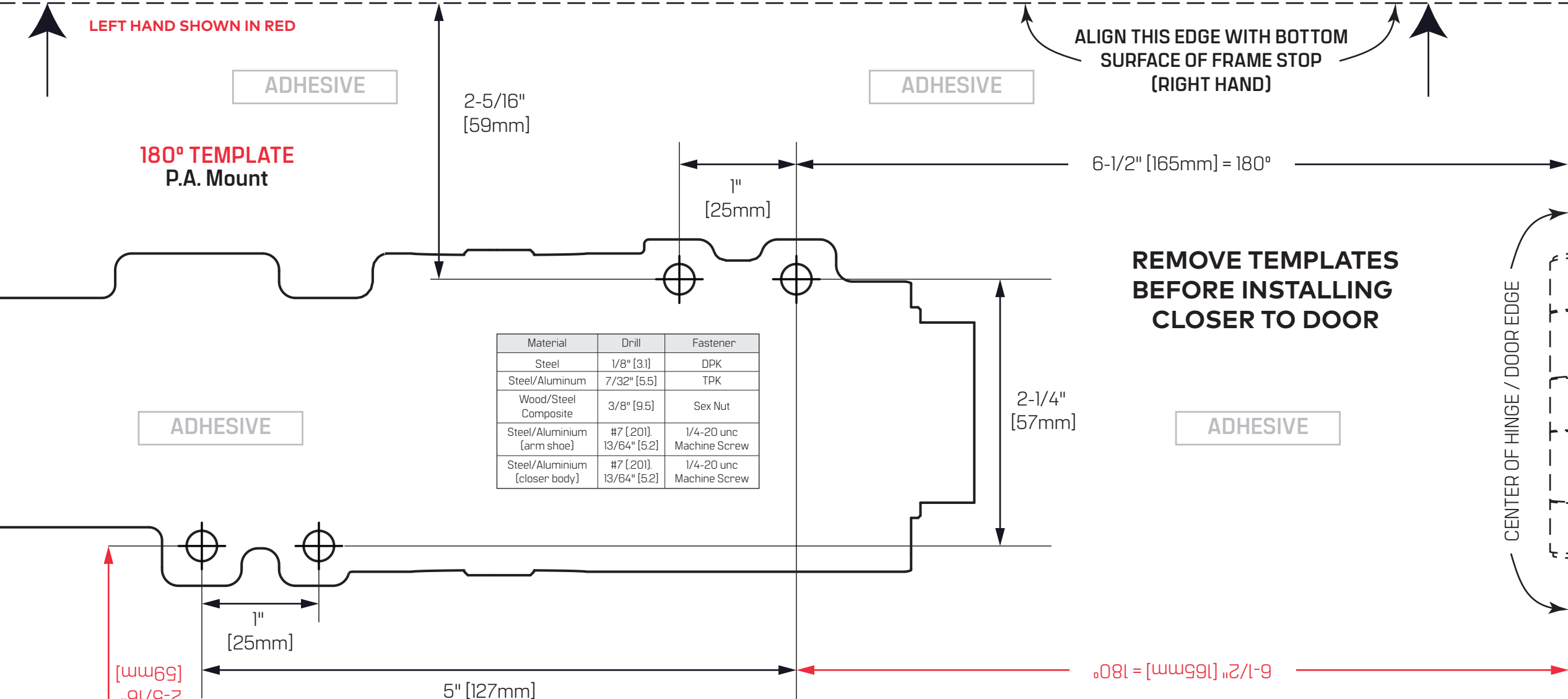
LEFT HAND SHOWN IN RED

ADHESIVE

ADHESIVE

ALIGN THIS EDGE WITH BOTTOM SURFACE OF FRAME STOP (RIGHT HAND)

**180° TEMPLATE
P.A. Mount**



ADHESIVE

ADHESIVE

REMOVE TEMPLATES BEFORE INSTALLING CLOSER TO DOOR

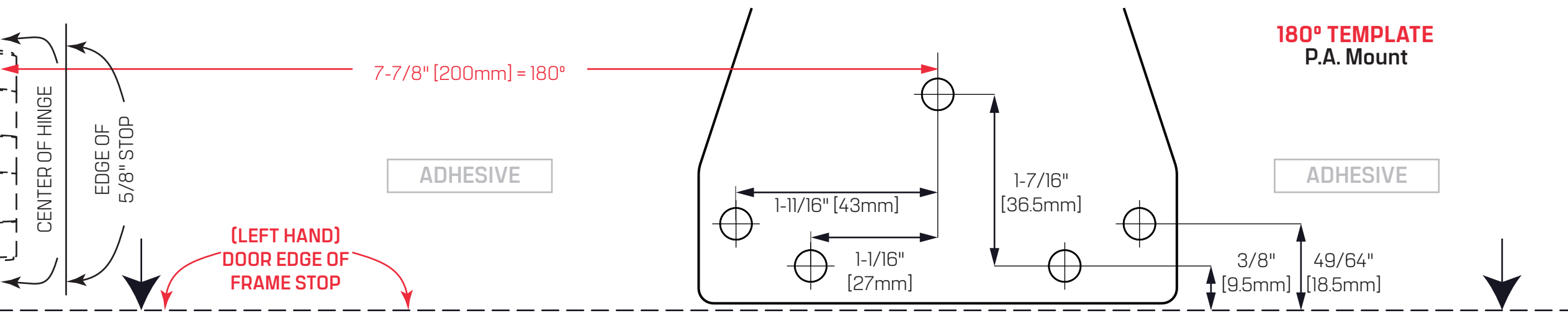
Material	Drill	Fastener
Steel	1/8" [3.1]	DPK
Steel/Aluminum	7/32" [5.5]	TPK
Wood/Steel Composite	3/8" [9.5]	Sex Nut
Steel/Aluminium (arm shoe)	#7 [20], 13/64" [5.2]	1/4-20 unc Machine Screw
Steel/Aluminium (closer body)	#7 [20], 13/64" [5.2]	1/4-20 unc Machine Screw

ALIGN THIS EDGE WITH BOTTOM SURFACE OF FRAME STOP (LEFT HAND)

CENTER OF HINGE / DOOR EDGE

**Door Closer Model:
EHD9016 P.A. Mount
Template/Drilling Instructions**

For online instructions, assistance or warranty information:
Call 1-800-392-5209 or visit <https://dhwsupport.dormakaba.com/hc/en-us>



**Door Closer Model:
EHD9016 Pull Side Mount
Template/Drilling Instructions**

