

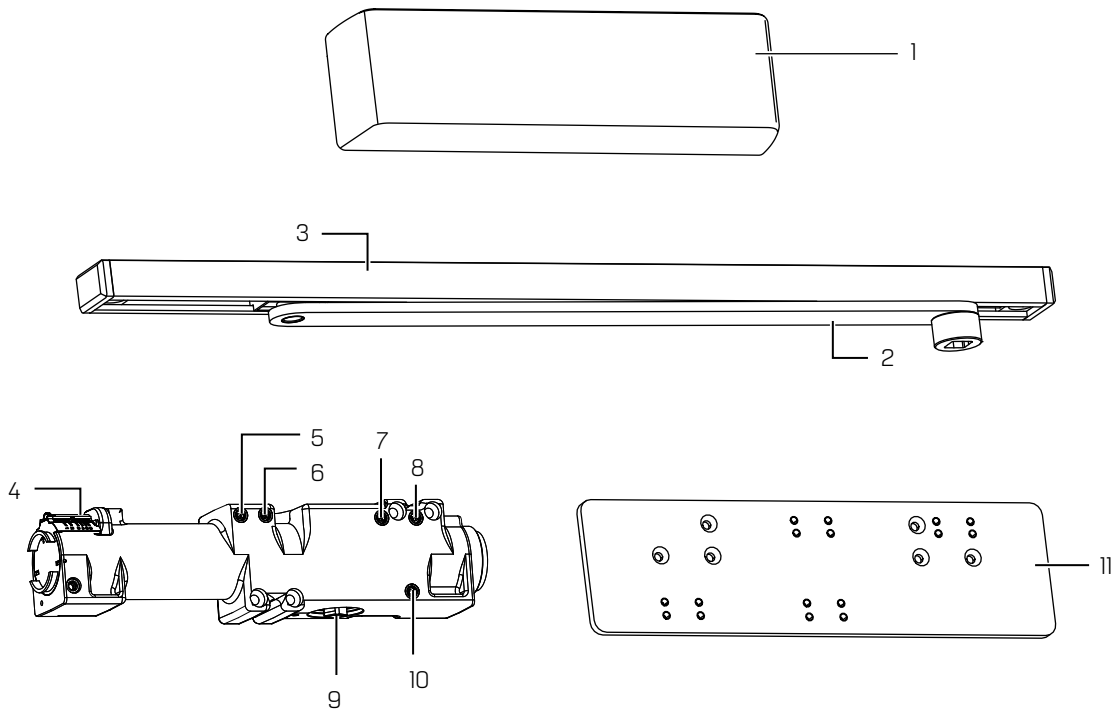
EHD9000 PT/PTH

Push side track mount (closer on door - track on stop)
and optional backplate (BP90)

Installation Instructions

OVERVIEW

Surface closer components



1 Full cover (standard)

2 Track arm

3 Track channel

4 Spring adjustment indicator

5 Backcheck

6 Advanced variable backcheck

7 Delayed action

8 Sweep speed

9 Pinion

10 Latch speed




11 Backplate (optional)




Table of contents

1	Technical specifications	3
1.1	Overview	3
1.2	Tools recommended	3
1.3	Handing the door	3
2	Instructions - track mount	4
2.1	Installing backplate (optional) and surface closer	4
2.2	Assembling and securing track	4
2.3	Securing main arm to closer	5
3	Adjustments	6
3.1	Adjusting closing speeds: sweep, latch, advanced variable backcheck, delayed action	6
3.2	Adjusting hold open (PTH)	6
3.3	Adjusting spring force	7
4	Installing cover	8

1 Technical specifications

1.1 Overview

-  Sex nuts are required for attachment of components to unreinforced doors and to wood or plastic faced composite type fire doors, unless an alternative method is identified in the individual door manufacturer's listings.
-  Know the swing of the door which is being installed prior to installation.
-  Verify closer spring size prior to installation.

-  Make sure door efficiently operates prior to installing closer.
-  Do not hammer arm onto spindle. Warranty will be void.
-  Adjust spring size by hand only. Do NOT use a drill or power tools. Warranty will be void.

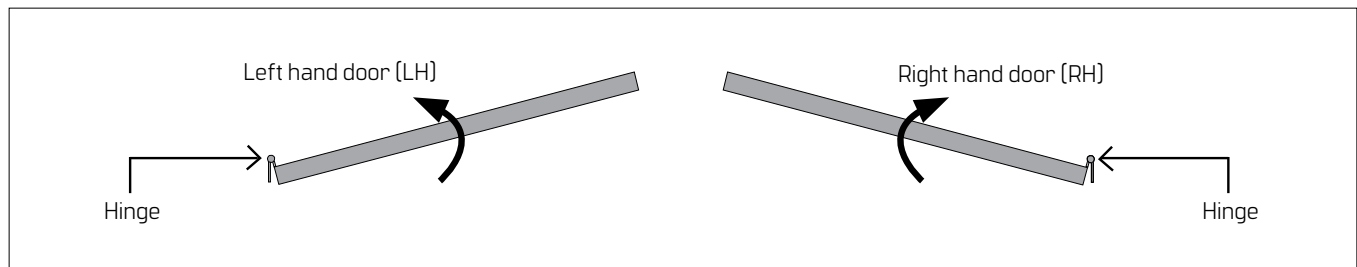
1.2 Tools recommended

Table 1

Drill bits:	#3 Phillips screwdriver
Metal: 1 3/64" or #7 drill bit; 1/4-20 tap	3/16" flat head screwdriver
Wood: 5/32" bit	Hex keys: 3mm, 5mm, 3/16"
1/2" box wrench	

1.3 Handing the door

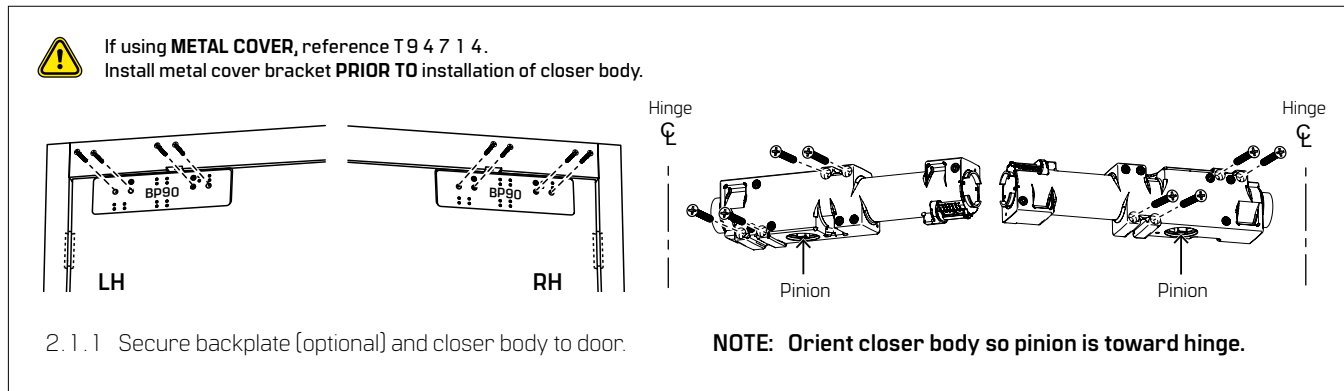
Fig. 1



2 Instructions - track mount

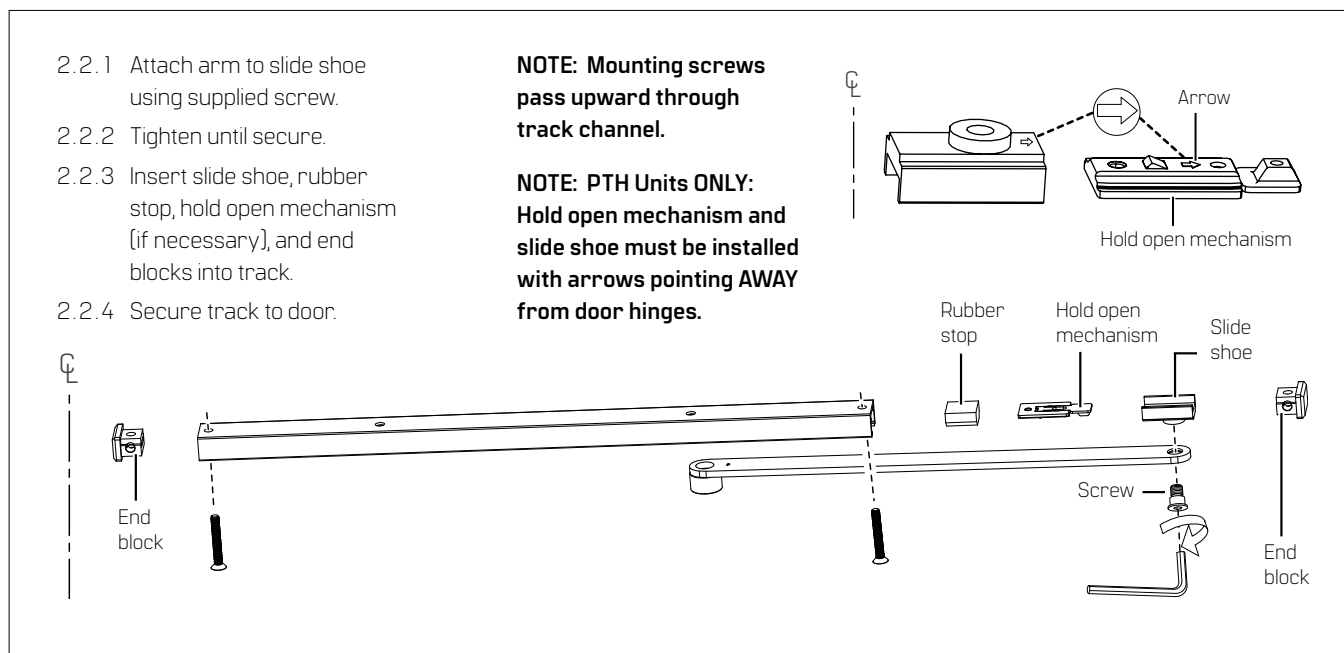
2.1 Installing backplate (optional) and surface closer

Fig.2



2.2 Assembling and securing track

Fig.3



2.3 Securing main arm to closer

Fig.4



**Do not hammer arm onto spindle.
Warranty will be void.**

- 2.3.1 Preload arm by placing wrench on bottom pinion.

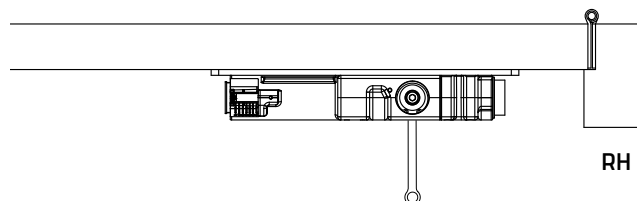
NOTE: Bottom pinion is not visible from top view of door.

- 2.3.2 Rotate wrench 45° TOWARD hinge edge of door.

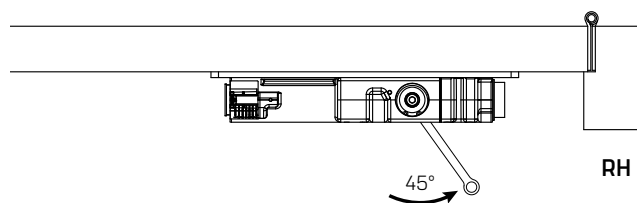
- 2.3.3 With main arm parallel to door, place main arm onto top pinion.

- 2.3.4 Secure arm to closer with pinion screw.

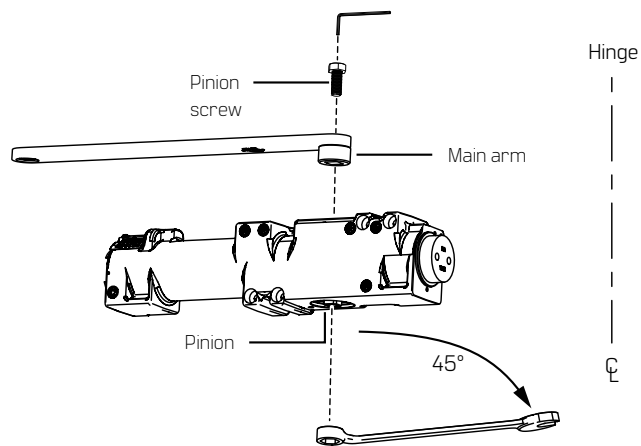
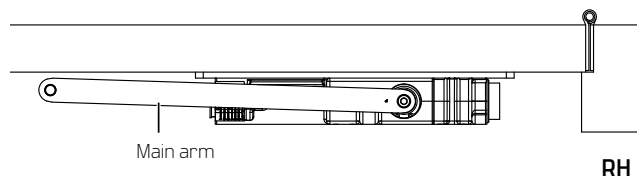
View from top of door





View from top of door





View from top of door



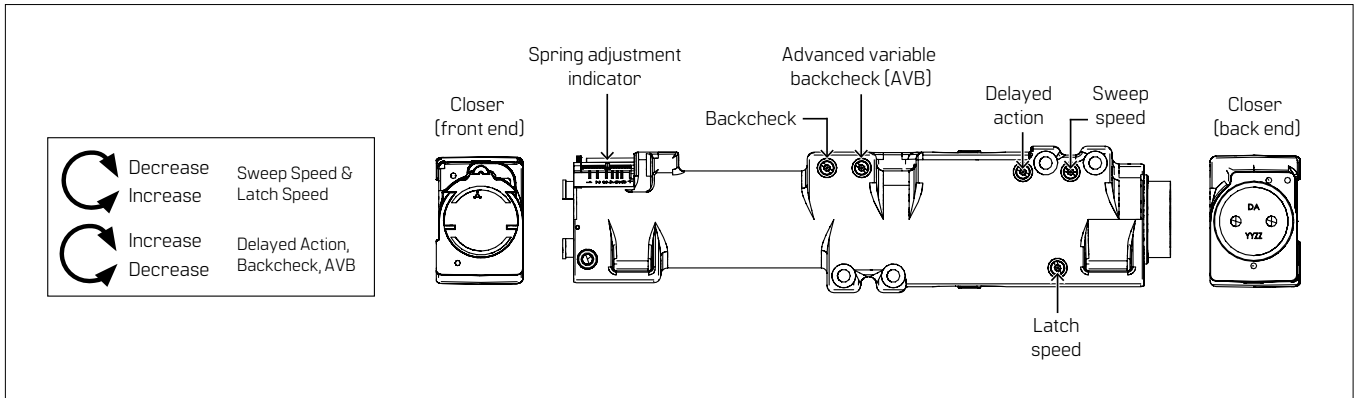
3 Adjustments

-  Confirm closer spring size prior to making any closing speed adjustments.
-  Do not back valve heads out beyond closer casting.

-  Door should close in 5 to 7 seconds from 90°.
-  Do not close valves completely.

3.1 Adjusting closing speeds: sweep, latch, advanced variable backcheck, delayed action

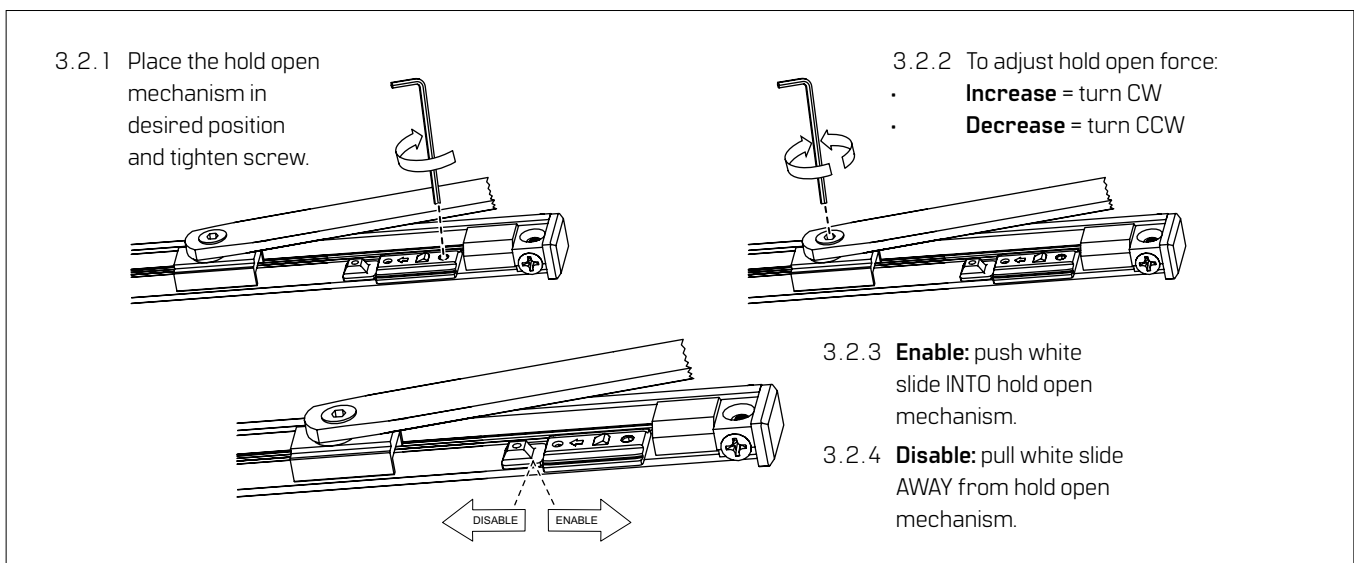
Fig.5



- 3.1.1 Adjust **closing sweep speed**: 90° to start of latch speed.
 - Increase sweep speed: Turn valve counter-clockwise.
 - Decrease sweep speed: Turn valve clockwise.
- 3.1.2 Adjust **closing latch speed**: 15° to close.
 - Increase latch speed: Turn valve counter-clockwise.
 - Decrease latch speed: Turn valve clockwise.
- 3.1.3 Adjust **opening backcheck**: beginning at 80°.
 - Increase resistance: Turn valve clockwise.
 - Decrease resistance: Turn valve counter-clockwise.
- 3.1.4 Adjust **closing delayed action**: beginning at 60°.
 - Increase delayed action: Turn valve clockwise.
 - Decrease delayed action: Turn valve counter-clockwise.

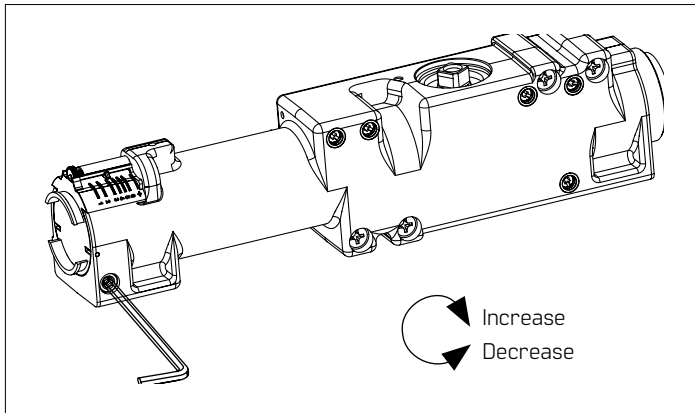
3.2 Adjusting hold open (PTH)

Fig.6



3.3 Adjusting spring force

Fig.7

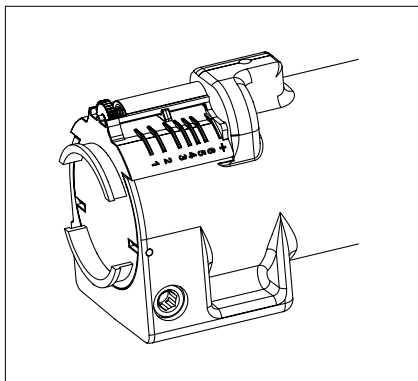


**Adjust spring size by hand only.
Do NOT use a drill or power tools.
Warranty will be void.**

**NOTICE: EHD90 16 is adjustable size 1 through 6.
Supplied with a size 3.**

NOTE: Barrier free openings:

Take an opening force reading from the pull on the door. If required, adjust the spring force to meet the barrier-free requirement. Depending on opening conditions, a door adjusted to meet barrier-free forces may not have sufficient power to reliably close and latch the door.

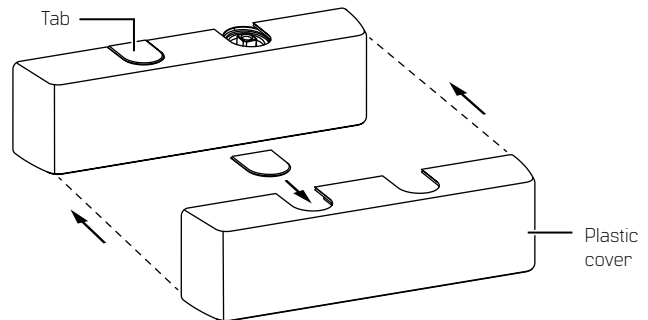


Track mount					
	Closer size	Max door weight (lbs)	Door width		Full turns
			Interior	Exterior	
EHD90 16	1	ADA	♿	----	-5.5
	2	100	2'6"	----	-3.0
	3	125	3'	2'6"	0
	4	150	3'6"	3'	+1.9
	5	200	4'	3'6"	+3.7
	6	250	----	4'	+5.2
	6+	250	----	4'	+7.0

4 Installing cover

Fig.8

- 4.1.1 Place tab in cover slot, opposite main arm.
- 4.1.2 Place cover over closer and snap into place.



English

For Complete Online Instructions Visit:

<https://dhwsupport.dormakaba.com/hc/en-us>

For assistance or warranty information:

Call 1-800-392-5209 or visit

<https://dhwsupport.dormakaba.com/hc/en-us>



Español

Para ver las instrucciones en línea, visite:

<https://dhwsupport.dormakaba.com/hc/en-us>

Para recibir asistencia o información sobre la garantía:

Llame al 1-800-392-5209 o visite

<https://dhwsupport.dormakaba.com/hc/en-us>



Français

Pour obtenir des instructions complètes en ligne, consultez le site :

<https://dhwsupport.dormakaba.com/hc/en-us>

Pour obtenir de l'aide ou des renseignements sur la garantie :

Composez le 1-800-392-5209 ou rendez-vous sur le site

<https://dhwsupport.dormakaba.com/hc/fr-ca>