

EHD9000 PH/PHJ/PHP

Plunger hold open for regular, top jamb and parallel mounts

Installation Instructions

OVERVIEW

Components List

- 1** Closer body

- 2** Plunger hold open arm

- 3** Pinion

- 4** Pinion screw

- 5** Connecting arm screw

- 6** Flat head screws

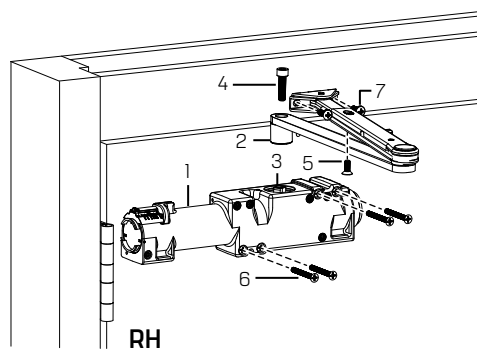
- 7** Pan head screws

- 8** PA bracket screws

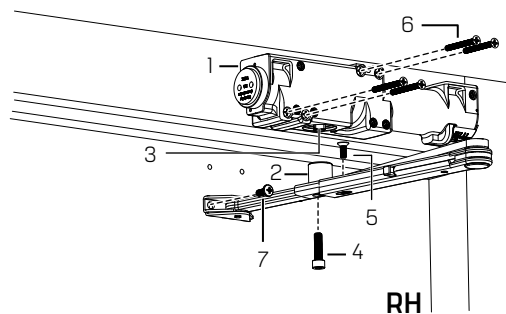
- 9** PA bracket

- 10** Backplate (optional - not shown)

Regular mount



Top jamb mount



Parallel mount

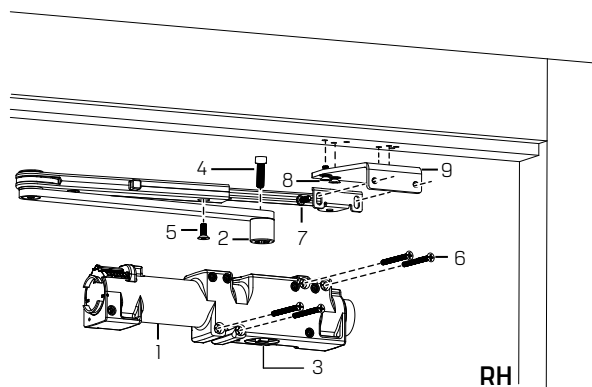


Table of contents

1	Technical specifications	3
1.1	Overview	3
1.2	Tools recommended	3
1.3	Handing the door	3
2	Installation - regular mount	4
2.1	Installing surface closer and backplate (optional)	4
2.2	Installing main arm	4
3	Instructions - top jamb mount	4
3.1	Installing surface closer and backplate (optional)	4
3.2	Installing main arm	5
4	Instructions - parallel mount	5
4.1	Installing surface closer and backplate (optional)	5
4.2	Installing main arm	6
5	Adjustments	6
5.1	Adjusting closing speeds: sweep, latch, advanced variable backcheck, delayed action	6
5.2	Adjusting hold open	7
5.3	Adjusting spring force	7
6	Installing covers	8

1 Technical specifications

1.1 Overview



Sex nuts are required for attachment of components to unreinforced doors and to wood or plastic faced composite type fire doors, unless an alternative method is identified in the individual door manufacturer's listings.



Maximum door opening degree is 180°.



Maximum 3" reveal on top jamb mounts for 180° degree openings.



Hold open range is from 30° to 150° with hold open kit.



Know the swing of the door which is being installed prior to installation.



Verify closer spring size prior to installation.



Make sure door efficiently operates prior to installing closer.



Do not hammer arm onto spindle. Warranty will be void.



Adjust spring size by hand only. Do NOT use a drill or power tools. Warranty will be void.

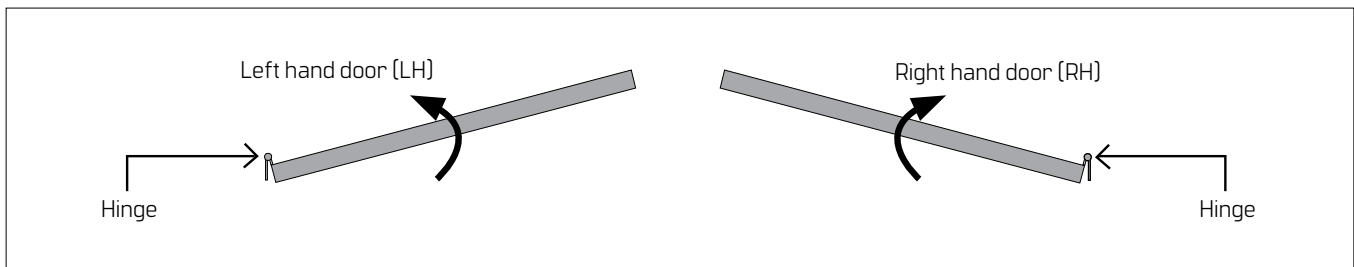
1.2 Tools recommended

Table 1

Drill bits:	#3 Phillips screwdriver
Metal: 1 3/64" or #7 drill bit; 1/4-20 tap	3/16" flat head screwdriver
Wood: 3/8" and 5/32" bit	Hex Keys: 3mm, 5mm, 3/16"
1/2" box wrench	7/16" box wrench

1.3 Handing the door

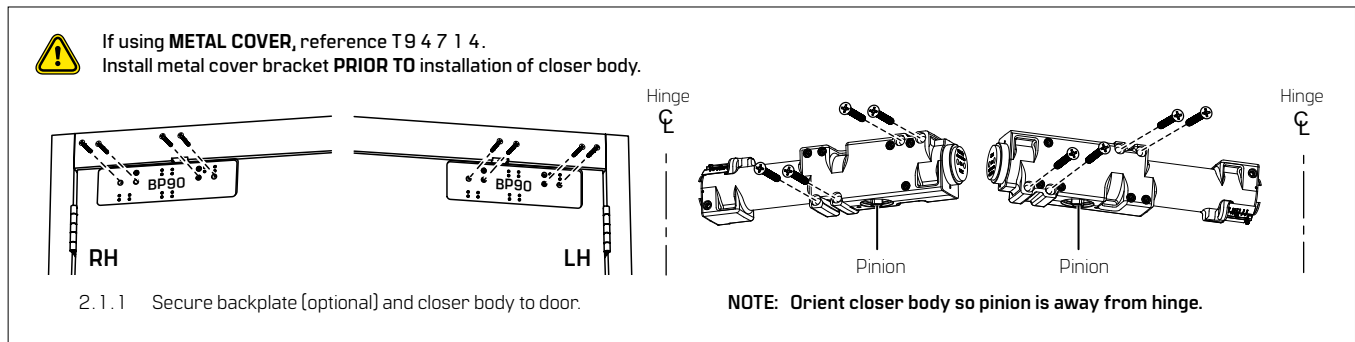
Fig.1



2 Installation - regular mount

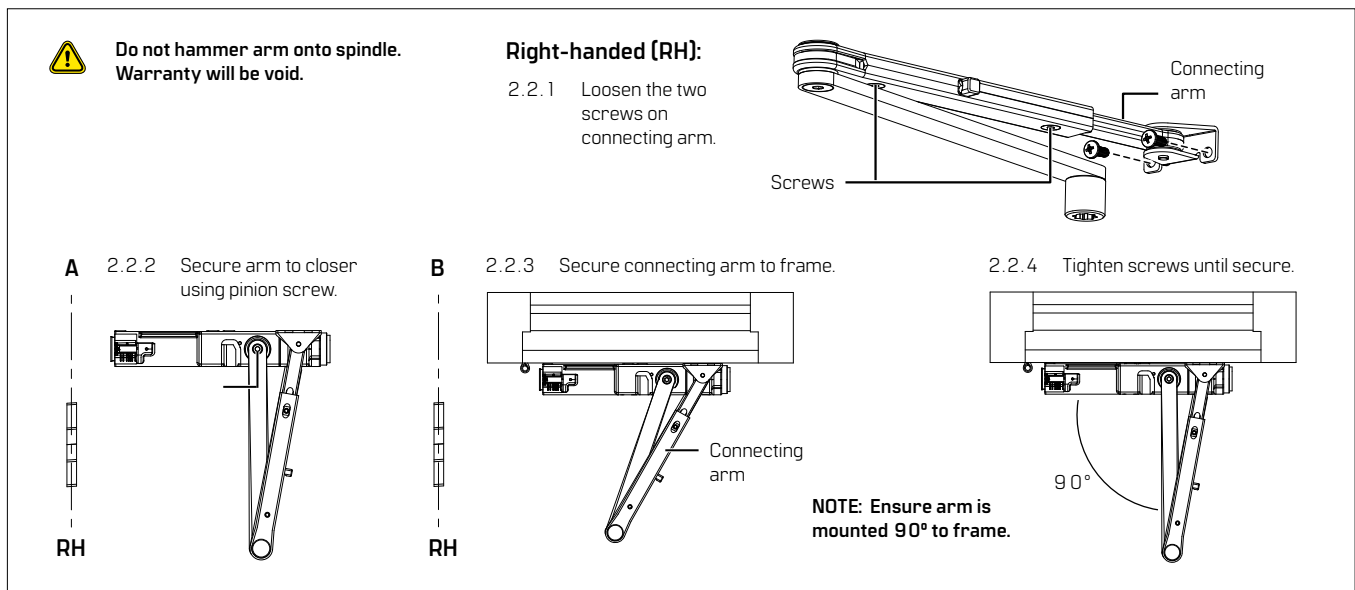
2.1 Installing surface closer and backplate (optional)

Fig.2



2.2 Installing main arm

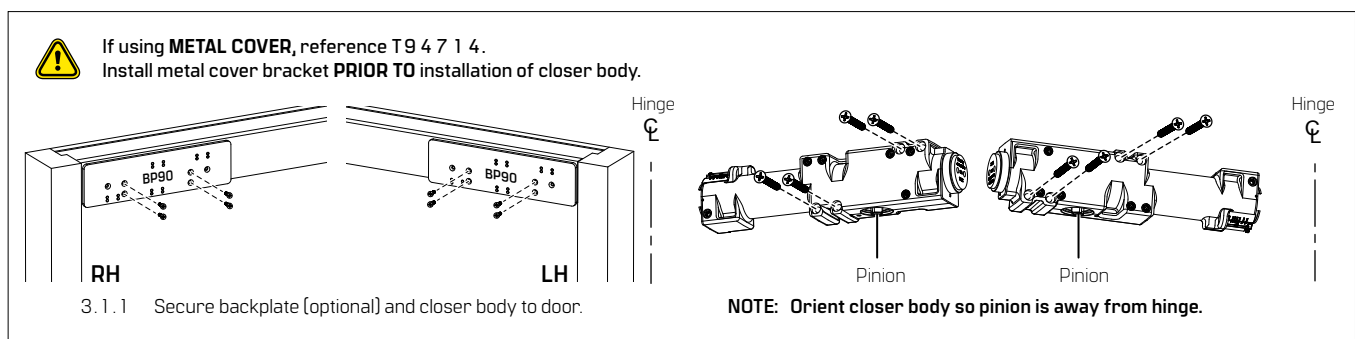
Fig.3



3 Instructions - top jamb mount

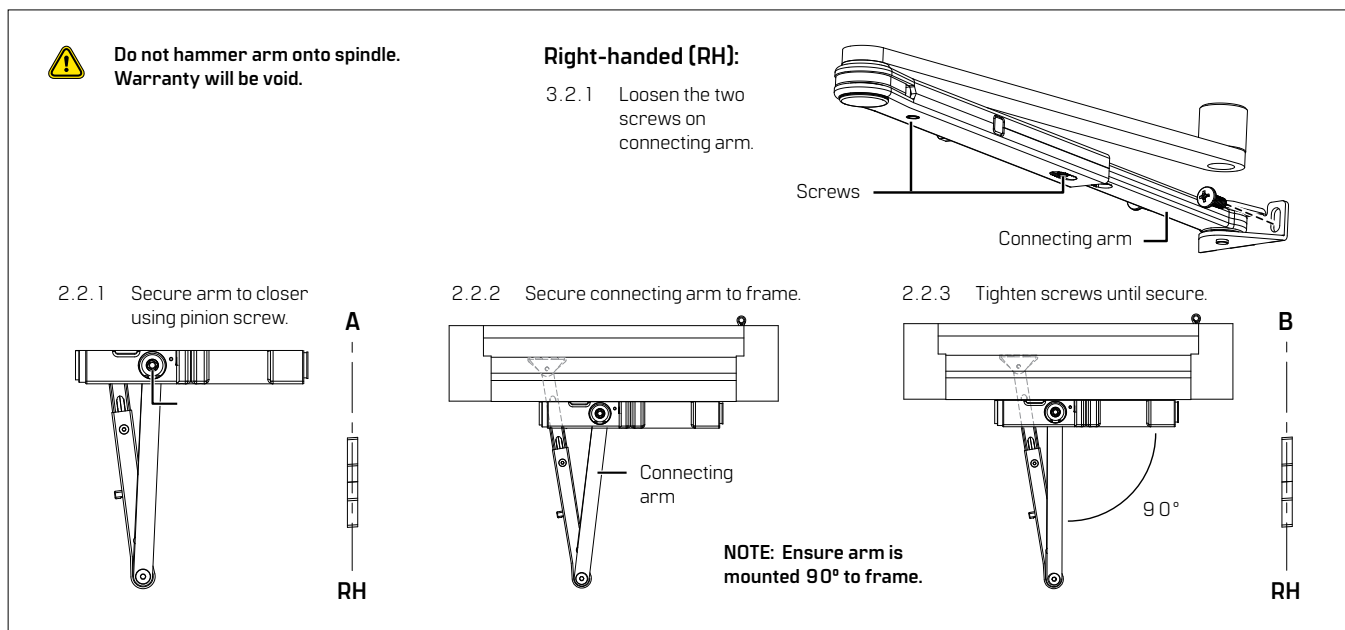
3.1 Installing surface closer and backplate (optional)

Fig.4



3.2 Installing main arm

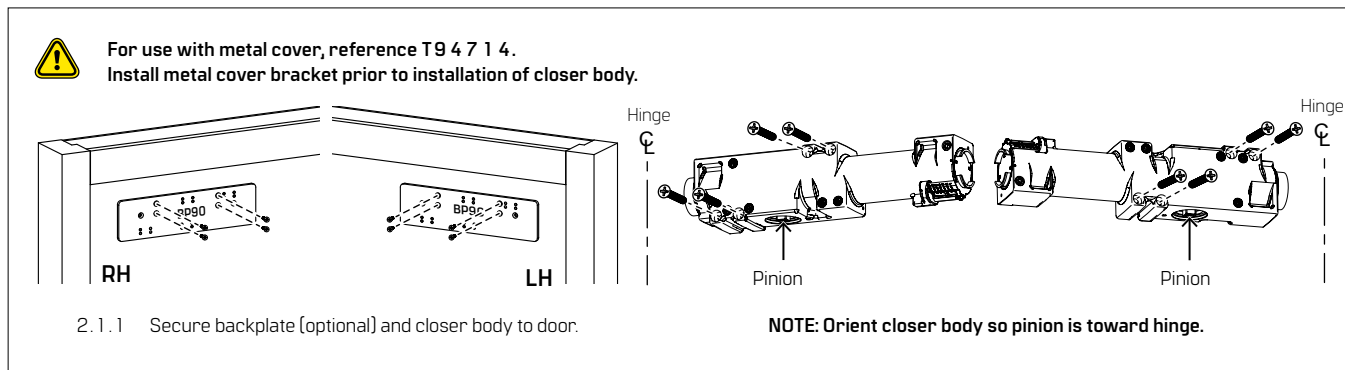
Fig.5



4 Instructions - parallel mount

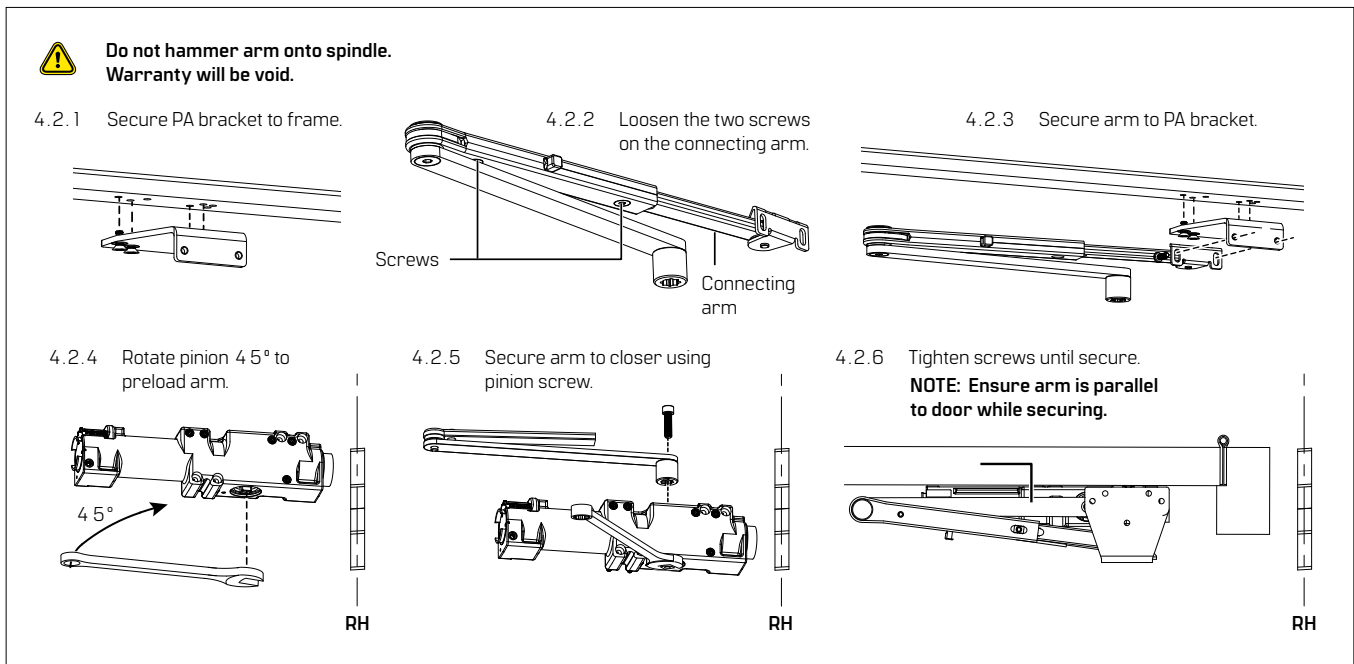
4.1 Installing surface closer and backplate (optional)

Fig.6



4.2 Installing main arm

Fig.7

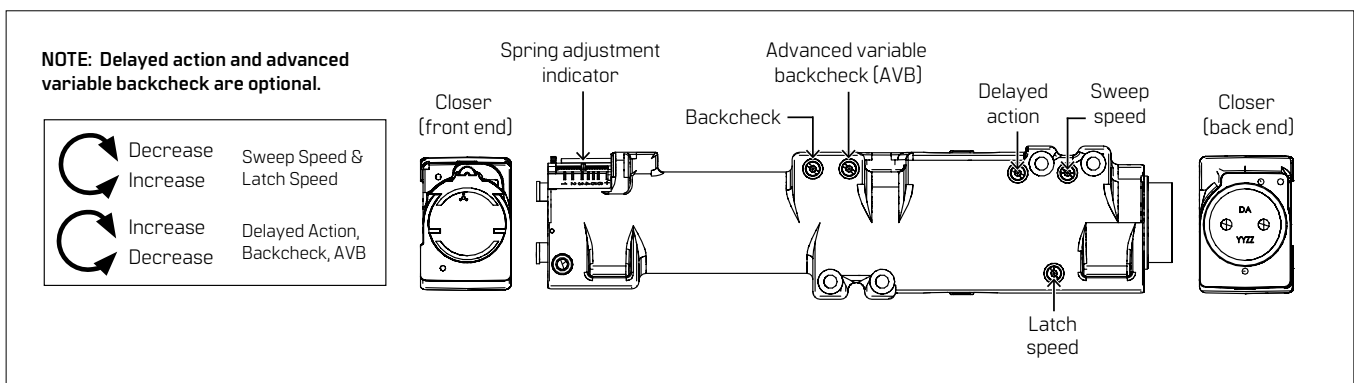


5 Adjustments

- ⚠ Confirm closer spring size prior to making any closing speed adjustments.**
- ⚠ Do not back valve heads out beyond closer casting.**
- ⚠ Advanced variable backcheck is shipped in the "ON" fully CW position.**
- ⚠ Advanced variable backcheck must remain "ON" for parallel arm mounts.**
- ⚠ Maximum opening angle is 180°.**
- ⚠ Door should close in 5 to 7 seconds from 90°.**
- ⚠ Do not close valves completely.**
- ⚠ Turn off advanced variable backcheck by rotating valve CCW.**

5.1 Adjusting closing speeds: sweep, latch, advanced variable backcheck, delayed action

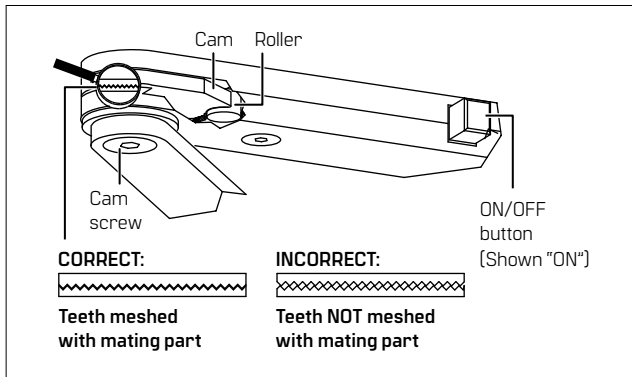
Fig.8



- 5.1.1 Adjust **closing sweep speed**: 90° to start of latch speed.
 - Increase sweep speed: Turn valve counter-clockwise.
 - Decrease sweep speed: Turn valve clockwise.
- 5.1.2 Adjust **closing latch speed**: 15° to close.
 - Increase latch speed: Turn valve counter-clockwise.
 - Decrease latch speed: Turn valve clockwise.
- 5.1.3 Adjust **opening backcheck**: beginning at 80°.
 - Increase resistance: Turn valve clockwise.
 - Decrease resistance: Turn valve counter-clockwise.
- 5.1.4 Adjust **closing delayed action**: beginning at 60°.
 - Increase delayed action: Turn valve clockwise.
 - Decrease delayed action: Turn valve counter-clockwise.

5.2 Adjusting hold open

Fig.9



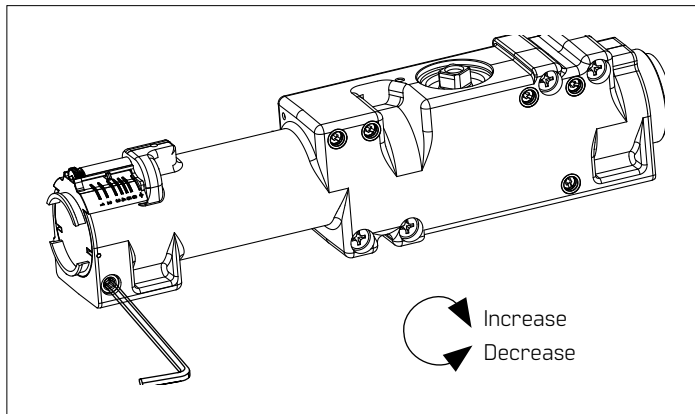
Adjust hold open force:

- 5.2.1 Loosen cam screw with 6mm hex key.
- 5.2.2 Orient cam so detent aligns with roller.
- 5.2.3 Push button to "ON" position to engage roller in detent.
- 5.2.4 Open door to desired hold open position.
- 5.2.5 Ensure teeth on cam mesh with mating part. If not, move door back and forth slightly until meshing occurs.
- 5.2.6 Tighten cam screw until secure.
- 5.2.7 To disengage hold open, pull door until hold open releases, allowing door to close.

NOTE: Failure to ensure teeth are meshing will damage the hold open function.

5.3 Adjusting spring force

Fig.10

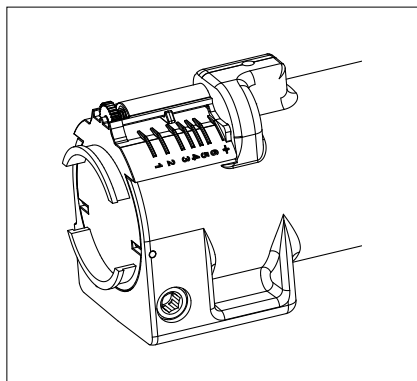


Adjust spring size by hand only. Do NOT use a drill or power tools. Warranty will be void.

NOTICE: EHD9016 is adjustable size 1 through 6. Supplied with a size 3.

NOTE: Barrier free openings:

Take an opening force reading from the pull on the door. If required, adjust the spring force to meet the barrier-free requirement. Depending on opening conditions, a door adjusted to meet barrier-free forces may not have sufficient power to reliably close and latch the door.

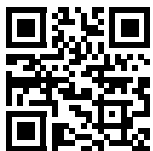
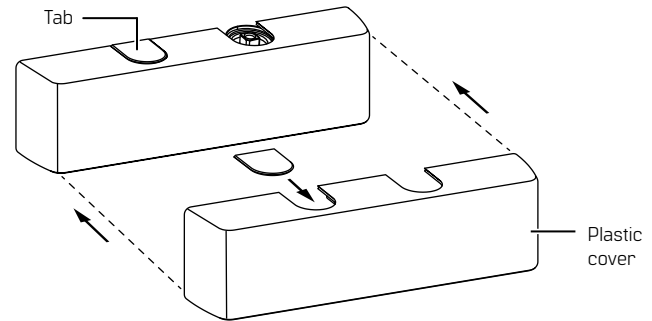


Regular and Top jamb mount					
	Closer size	Max door weight (lbs)	Door width		Full turns
			Interior	Exterior	
EHD9016	1	ADA	♿	----	-5.5
	2	100	2'6"	----	-3.0
	3	125	3'	2'6"	0
	4	150	3'6"	3'	+1.9
	5	200	4'	3'6"	+3.7
	6	250	----	4'	+5.2
	6+	250	----	4'	+7.0
Parallel mount					
	Closer size	Max door weight (lbs)	Door width		Full turns
			Interior	Exterior	
EHD9016	1	50	2'6"	----	-5.5
	2	80	3'	2'6"	-3.0
	3	100	3'6"	3'	0
	4	125	3'	2'6"	+1.9
	5	150	3'6"	3'	+3.7
	6	200	4'	3'6"	+5.2
	6+	200	----	4'	+7.0

6 Installing covers

Fig.1 1

- 4.1.1 Place tab in cover slot, opposite main arm.
- 4.1.2 Place cover over closer and snap into place.



English

For Complete Online Instructions Visit:

<https://dhwsupport.dormakaba.com/hc/en-us>

For assistance or warranty information:

Call 1-800-392-5209 or visit

<https://dhwsupport.dormakaba.com/hc/en-us>



Español

Para ver las instrucciones en línea, visite:

<https://dhwsupport.dormakaba.com/hc/en-us>

Para recibir asistencia o información sobre la garantía:

Llame al 1-800-392-5209 o visite

<https://dhwsupport.dormakaba.com/hc/en-us>



Français

Pour obtenir des instructions complètes en ligne, consultez le site :

<https://dhwsupport.dormakaba.com/hc/en-us>

Pour obtenir de l'aide ou des renseignements sur la garantie :

Composez le 1-800-392-5209 ou rendez-vous sur le site

<https://dhwsupport.dormakaba.com/hc/fr-ca>