

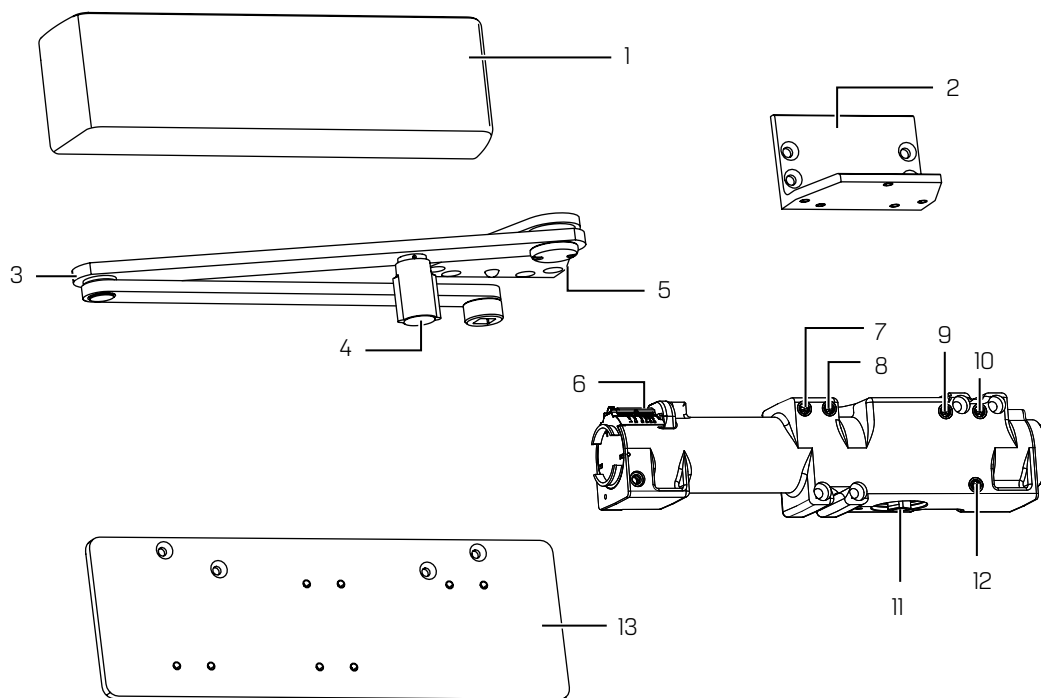
EHD9000 SPA/SPAT x FTHD

Super parallel arm mount with flush transom bracket and optional drop plate (DP90)

Installation Instructions

OVERVIEW

Surface closer components



1 Full cover (standard)

2 Flush transom bracket

3 Super parallel arm

4 Thumb turn hold open knob

5 Soffit plate

6 Spring adjustment indicator

7 Backcheck

8 Advanced variable backcheck

9 Delayed action

10 Sweep speed

11 Pinion

12 Latch speed

13 Drop plate (optional)

Table of contents

1	Technical specifications	3
1.1	Overview	3
1.2	Tools recommended	3
1.3	Handing the door	3
2	Instructions - parallel mount	4
2.1	Installing drop plate (optional) and surface closer	4
2.2	Securing flush transom bracket and soffit plate	4
2.3	Securing main arm to closer	5
3	Adjustments	6
3.1	Adjusting closing speeds: sweep, latch, backcheck, delayed action	6
3.2	Adjusting hold open (optional)	6
3.3	Adjusting spring force	7
4	Installing covers	8

1 Technical specifications

1.1 Overview



Sex nuts are required for attachment of components to unreinforced doors and to wood or plastic faced composite type fire doors, unless an alternative method is identified in the individual door manufacturer's listings.



Maximum door opening angle is 100° or 180°.



Hold open range is from 90° or 125° with optional hold open kit.



Know the swing of the door which is being installed prior to installation.



Verify closer spring size prior to installation.



Make sure door efficiently operates prior to installing closer.



Do not hammer arm onto spindle. Warranty will be void.



Adjust spring size by hand only. Do NOT use a drill or power tools. Warranty will be void.

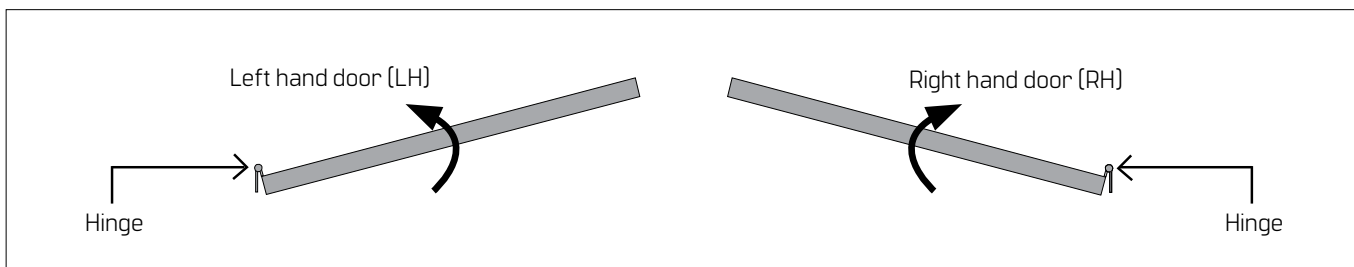
1.2 Tools recommended

Table 1

Drill bits:	#3 Phillips screwdriver
Metal: 1 3/64" or #7 drill bit; 1/4-20 tap	3/16" flat head screwdriver
Wood: 5/32" bit	Hex keys: 3mm, 5mm, 3/16"
1/2" box wrench	

1.3 Handing the door

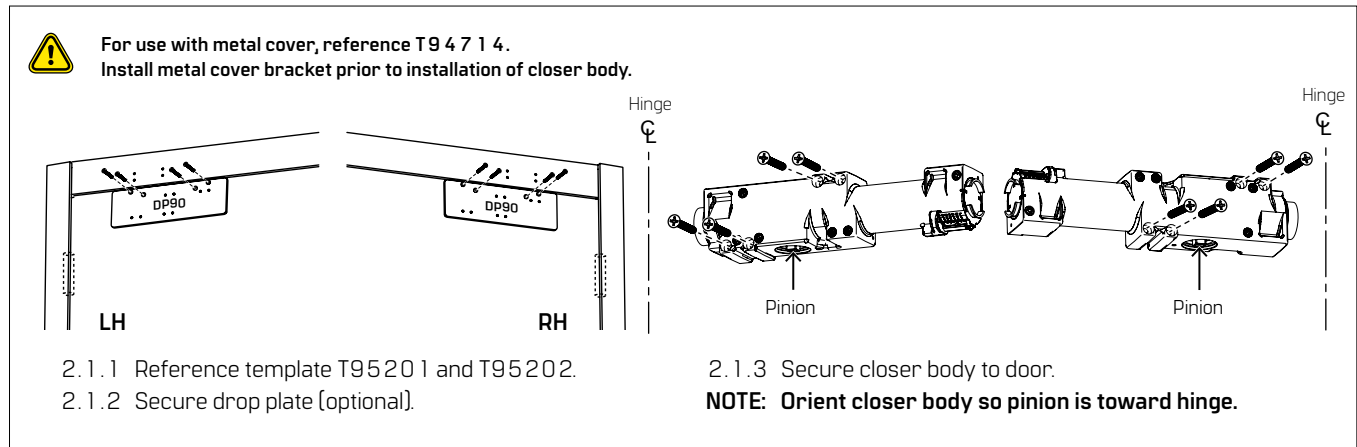
Fig.1



2 Instructions - parallel mount

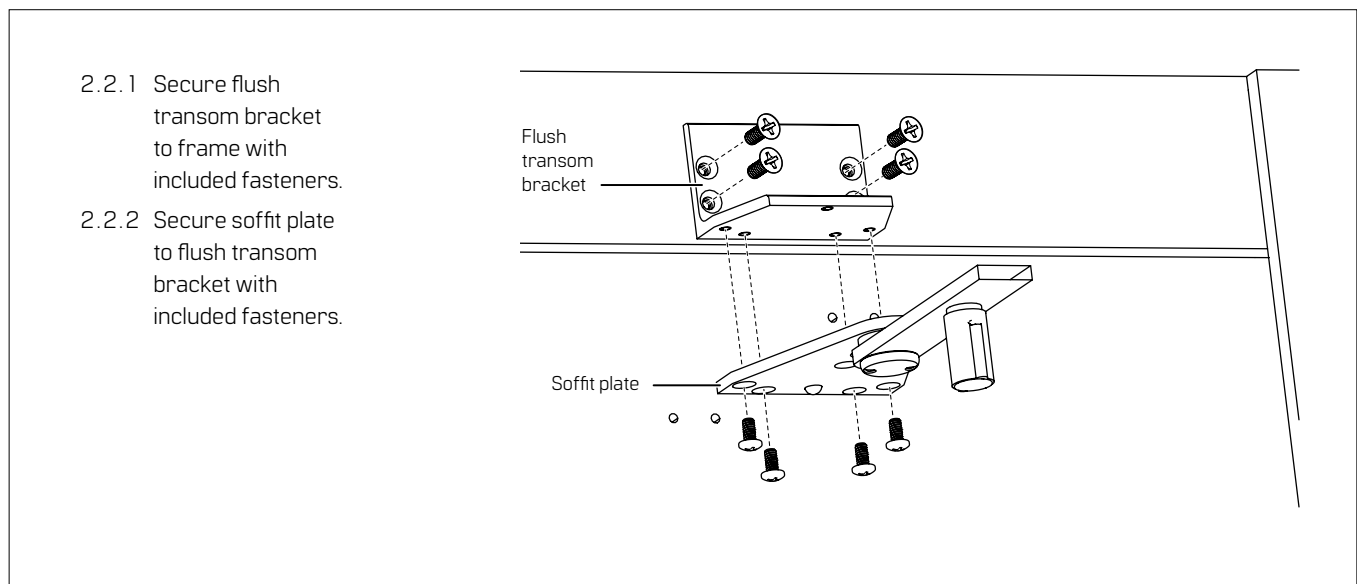
2.1 Installing drop plate (optional) and surface closer

Fig.2



2.2 Securing flush transom bracket and soffit plate

Fig.3



2.3 Securing main arm to closer

Fig.4

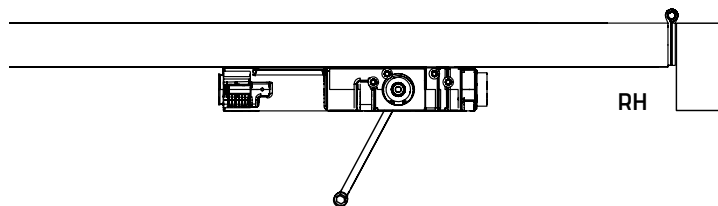


Do not hammer arm onto spindle. Warranty will be void.

- 2.3.1 Preload arm by placing wrench on bottom pinion.

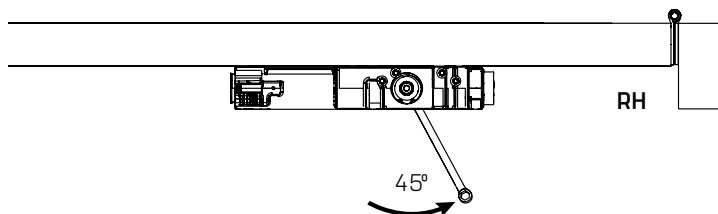
NOTE: Bottom pinion is not visible from top view of door.

View from top of door



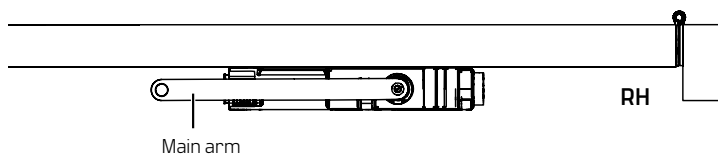
- 2.3.2 Rotate wrench 45° TOWARD hinge edge of door.

View from top of door

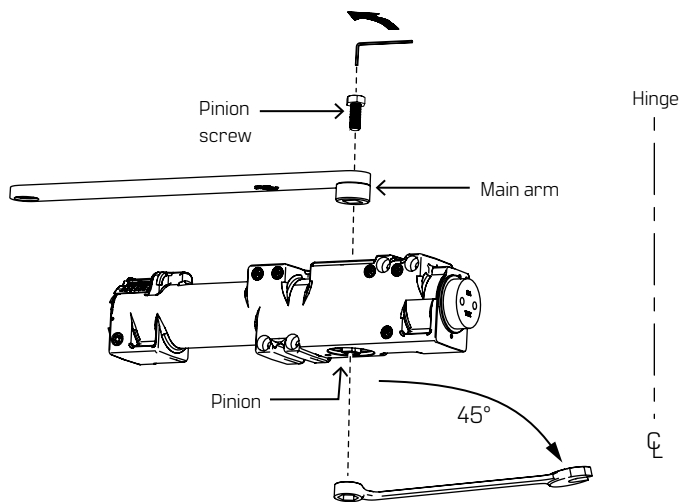


- 2.3.3 With main arm parallel to door, place main arm on top pinion.

View from top of door



- 2.3.4 Secure arm to closer with pinion screw.



3 Adjustments



Confirm closer spring size prior to making any closing speed adjustments.



Do not back valve heads out beyond closer casting.



Maximum opening angle is 100° or 180°.



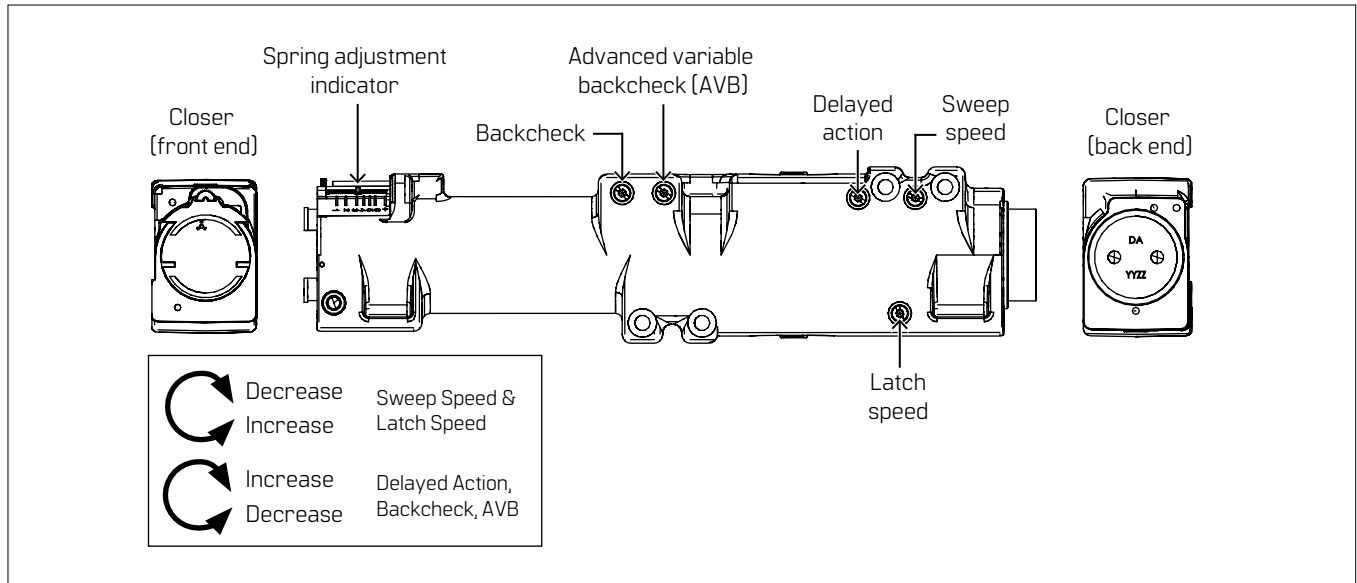
Door should close in 5 to 7 seconds from 90°.



Do not close valves completely.

3.1 Adjusting closing speeds: sweep, latch, backcheck, delayed action

Fig.5



3.1.1 Adjust **closing sweep speed**: 90° to start of latch speed.

- Increase sweep speed: Turn valve counter-clockwise.
- Decrease sweep speed: Turn valve clockwise.

3.1.2 Adjust **closing latch speed**: 15° to close.

- Increase latch speed: Turn valve counter-clockwise.
- Decrease latch speed: Turn valve clockwise.

3.1.3 Adjust **opening backcheck**: beginning at 80°.

- Increase resistance: Turn valve clockwise.
- Decrease resistance: Turn valve counter-clockwise.

3.1.4 Adjust **closing delayed action**: beginning at 60°.

- Increase delayed action: Turn valve clockwise.
- Decrease delayed action: Turn valve counter-clockwise.

3.2 Adjusting hold open (optional)

Fig.6

3.2.1 **Align hold open:**

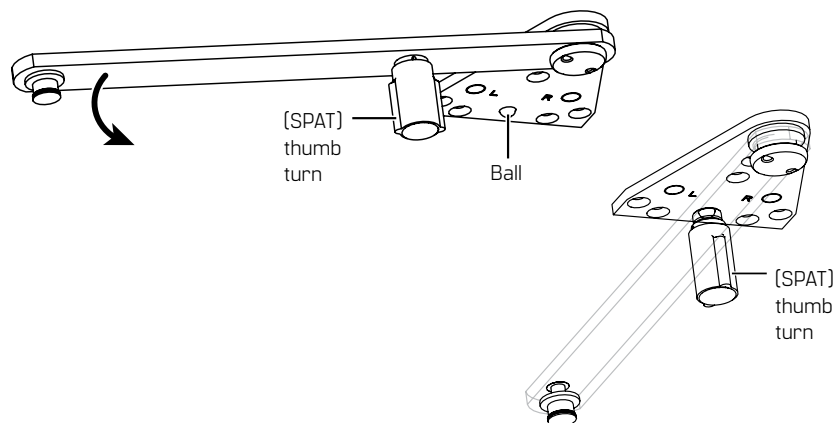
Open door until thumb turn aligns with ball on plate.

3.2.2 **Engage hold open:**

Twist thumb turn clockwise to engage hold open.

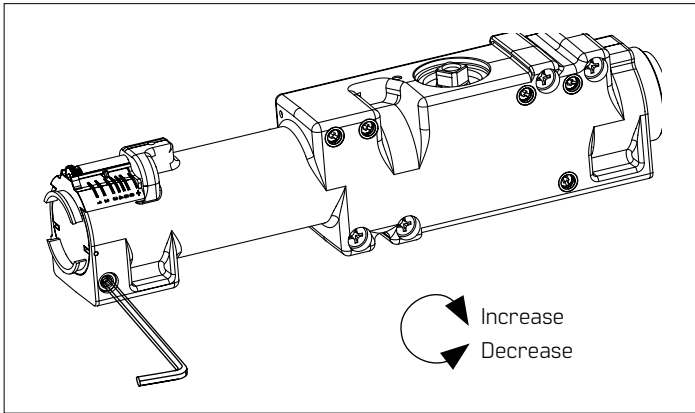
3.2.3 **Release hold open:**

While holding door open, twist thumb turn counter-clockwise to release hold.



3.3 Adjusting spring force

Fig.7

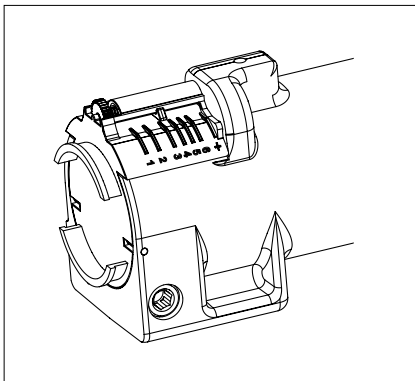


Adjust spring size by hand only.
Do NOT use a drill or power tools.
Warranty will be void.

NOTICE: EHD9016 is adjustable size 1 through 6.
Supplied with a size 3.

NOTE: Barrier free openings:

Take an opening force reading from the pull on the door. If required, adjust the spring force to meet the barrier-free requirement. Depending on opening conditions, a door adjusted to meet barrier-free forces may not have sufficient power to reliably close and latch the door.

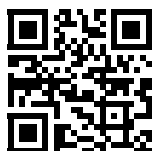
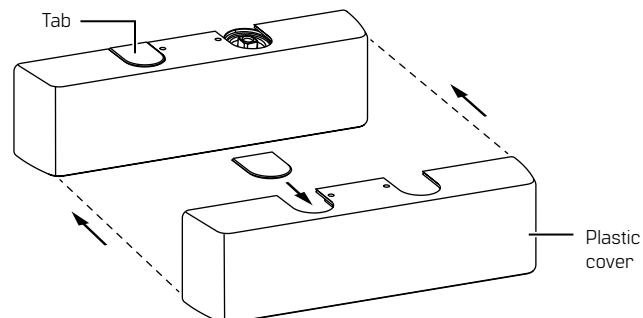


Parallel mount					
	Closer size	Max door weight (lbs)	Door width		Full turns
			Interior	Exterior	
EHD9016	1	50	2'6"	----	-55
	2	80	3'	2'6"	-30
	3	100	3'6"	3'	0
	4	125	3'	2'6"	+19
	5	150	3'6"	3'	+37
	6	200	4'	3'6"	+52
	6+	200	----	4'	+70

4 Installing cover

Fig.8

- 4.1.1 Place tab in cover slot, opposite main arm.
- 4.1.2 Place cover over closer and snap into place.



English

For Complete Online Instructions Visit:

<https://dhwsupport.dormakaba.com/hc/en-us>

For assistance or warranty information:

Call 1-800-392-5209 or visit

<https://dhwsupport.dormakaba.com/hc/en-us>



Español

Para ver las instrucciones en línea, visite:

<https://dhwsupport.dormakaba.com/hc/en-us>

Para recibir asistencia o información sobre la garantía:

Llame al 1-800-392-5209 o visite

<https://dhwsupport.dormakaba.com/hc/en-us>



Français

Pour obtenir des instructions complètes en ligne, consultez le site :

<https://dhwsupport.dormakaba.com/hc/en-us>

Pour obtenir de l'aide ou des renseignements sur la garantie :

Composez le 1-800-392-5209 ou rendez-vous sur le site

<https://dhwsupport.dormakaba.com/hc/fr-ca>