

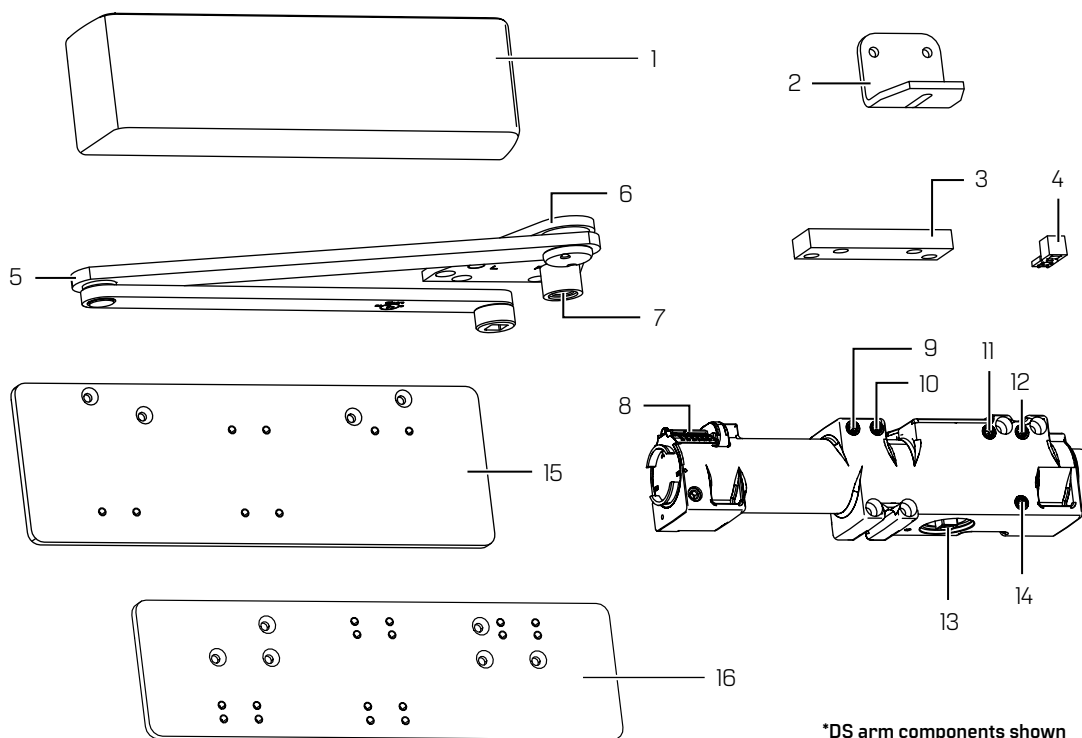
EHD9000 DS/DST/SDS/SDST

Heavy duty parallel door saver (DS) and spring door saver (SDS) arms with optional hold open (DST/SDST)

Installation Instructions

OVERVIEW

Surface closer components



1 Cover

2 Heavy duty narrow frame bracket

3 Heavy duty blade stop spacer

4 Spacer block

5 Heavy duty parallel arm

6 Soffit plate

7 Bumper stop

8 Spring adjustment indicator

9 Backcheck

10 Advanced variable backcheck

11 Delayed action

12 Sweep speed

13 Pinion

14 Latch speed

15 Drop plate (optional)

16 Backplate (optional)

Table of contents

1	Technical specifications	3
1.1	Overview	3
1.2	Tools recommended	3
1.3	Handing the door	3
2	Instructions - parallel mount	4
2.1	Installing drop plate/backplate (optional) and surface closer	4
2.2	Securing bumper and spring cushion to arm assembly	4
2.3	Securing soffit plate to frame: spacer block, blade stop	4
2.4	Securing soffit plate to frame: narrow frame bracket	5
2.5	Securing main arm to closer	5
3	Adjustments	6
3.1	Adjusting closing speeds: sweep, latch, backcheck, delayed action	6
3.2	Adjusting thumb hold open (optional), setting hold open DST/SDST	6
3.3	Adjusting spring force	7
4	Installing covers	8

1 Technical specifications

1.1 Overview



Sex nuts are required for attachment of components to unreinforced doors and to wood or plastic faced composite type fire doors, unless an alternative method is identified in the individual door manufacturer's listings.



Do not hammer arm onto spindle. Warranty will be void.



Adjust spring size by hand only. Do NOT use a drill or power tools. Warranty will be void.



Make sure door efficiently operates prior to installing closer.



Verify closer spring size prior to installation.



Know the swing of the door which is being installed prior to installation.



Maximum door opening degree is 110°.



Hold open range is from 85° or 110°.

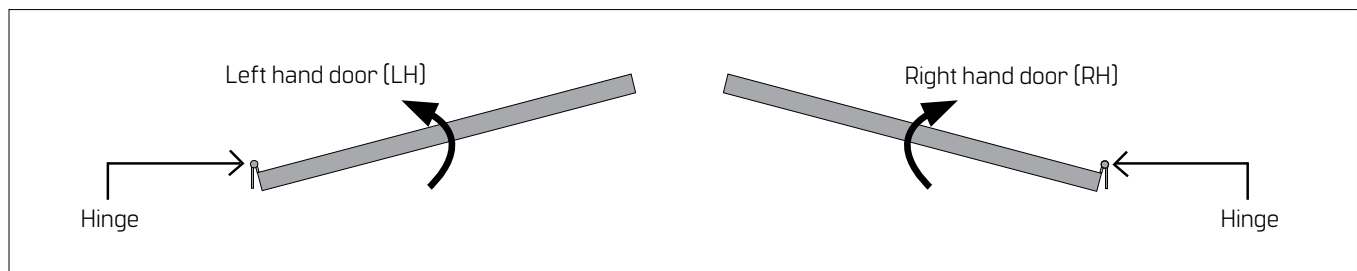
1.2 Tools recommended

Table 1

Drill bits:	#3 Phillips screwdriver
Metal: 1 3/64" or #7 drill bit; 1/4-20 tap	3/16" flat head screwdriver
Wood: 5/32" bit	Hex keys: 3mm, 5mm, 3/16"
1/2" box wrench	

1.3 Handing the door


Fig. 1



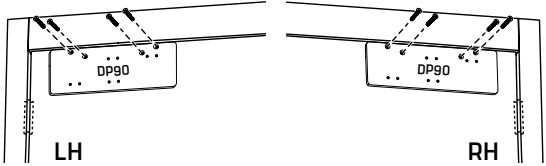
2 Instructions - parallel mount

2.1 Installing drop plate/backplate (optional) and surface closer

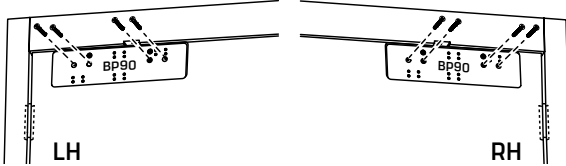
Fig.2

 For use with metal cover, reference T9 4 7 1 4.
Install metal cover bracket prior to installation of closer body.

Drop plate:



Backplate:

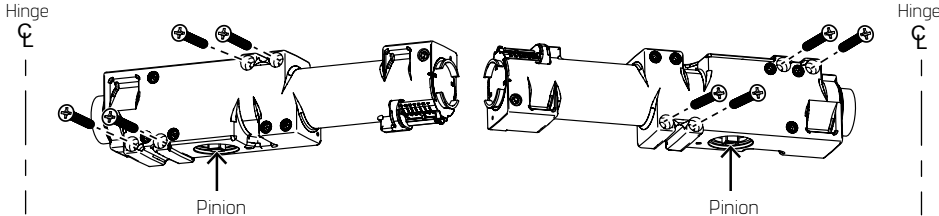


LH RH LH RH

2.1.1 Secure optional drop plate/backplate to door.

2.1.2 Secure closer body to door.

NOTE: Orient closer body so pinion is toward hinge.



Hinge Pinion

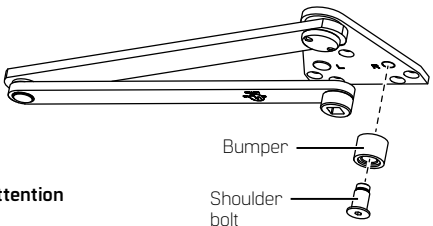
2.2 Securing bumper and spring cushion to arm assembly

Fig.3

DS/DST arm

2.2.1 Secure bumper to arm assembly using shoulder bolt.

NOTE: Pay attention to handing.

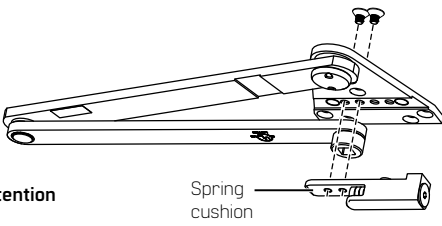


Bumper
Shoulder bolt

SDS/SDST arm

2.2.2 Attach spring cushion to arm assembly using 2 flat head screws.

NOTE: Pay attention to handing.

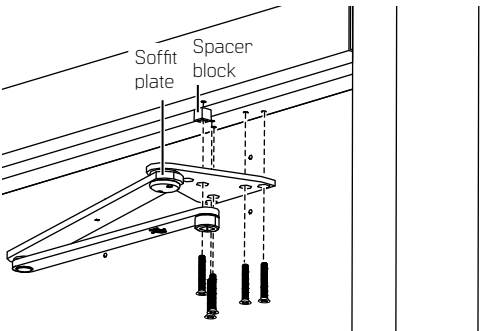


Spring cushion

2.3 Securing soffit plate to frame: spacer block, blade stop

Fig.4

Standard with spacer block



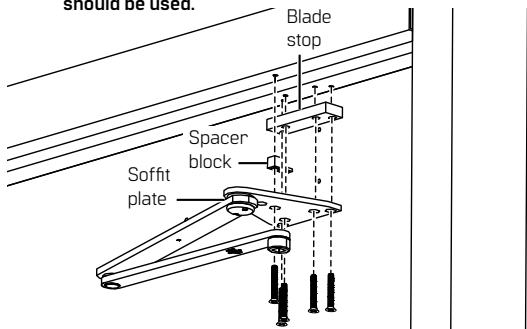
Soffit plate
Spacer block

2.3.1 Secure spacer block and soffit plate to frame.

2.3.2 Use included fasteners.

NOTE: Spacer block is 2 dimensional for 1/2" and 5/8" stop heights. Rotate block accordingly.

With optional blade stop (BSHD)



Blade stop
Spacer block
Soffit plate

2.3.3 Secure blade stop, spacer block, and soffit plate to frame.

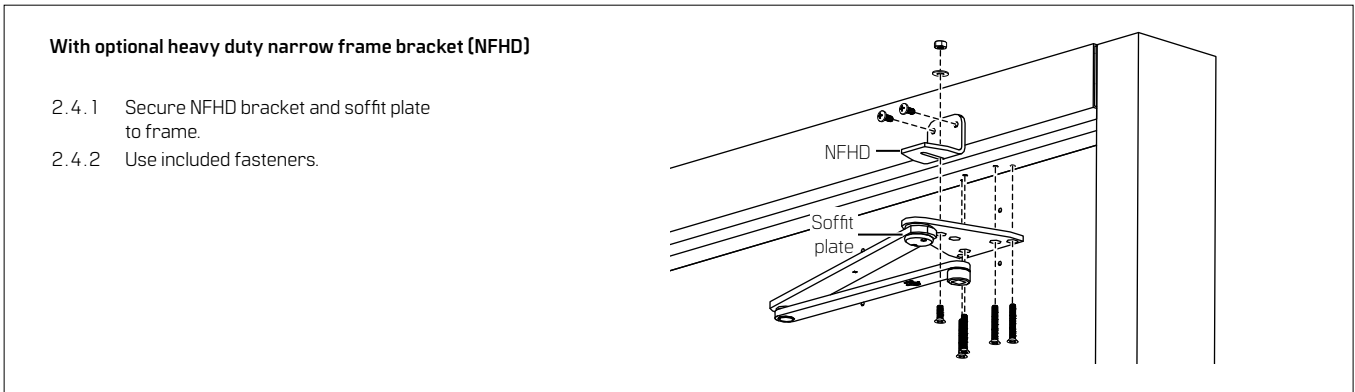
2.3.4 Use included fasteners.

2.3.5 Install spacer block using 1/2" height.

NOTE: If frame width is 4-1/2" or less, NFHD bracket should be used.

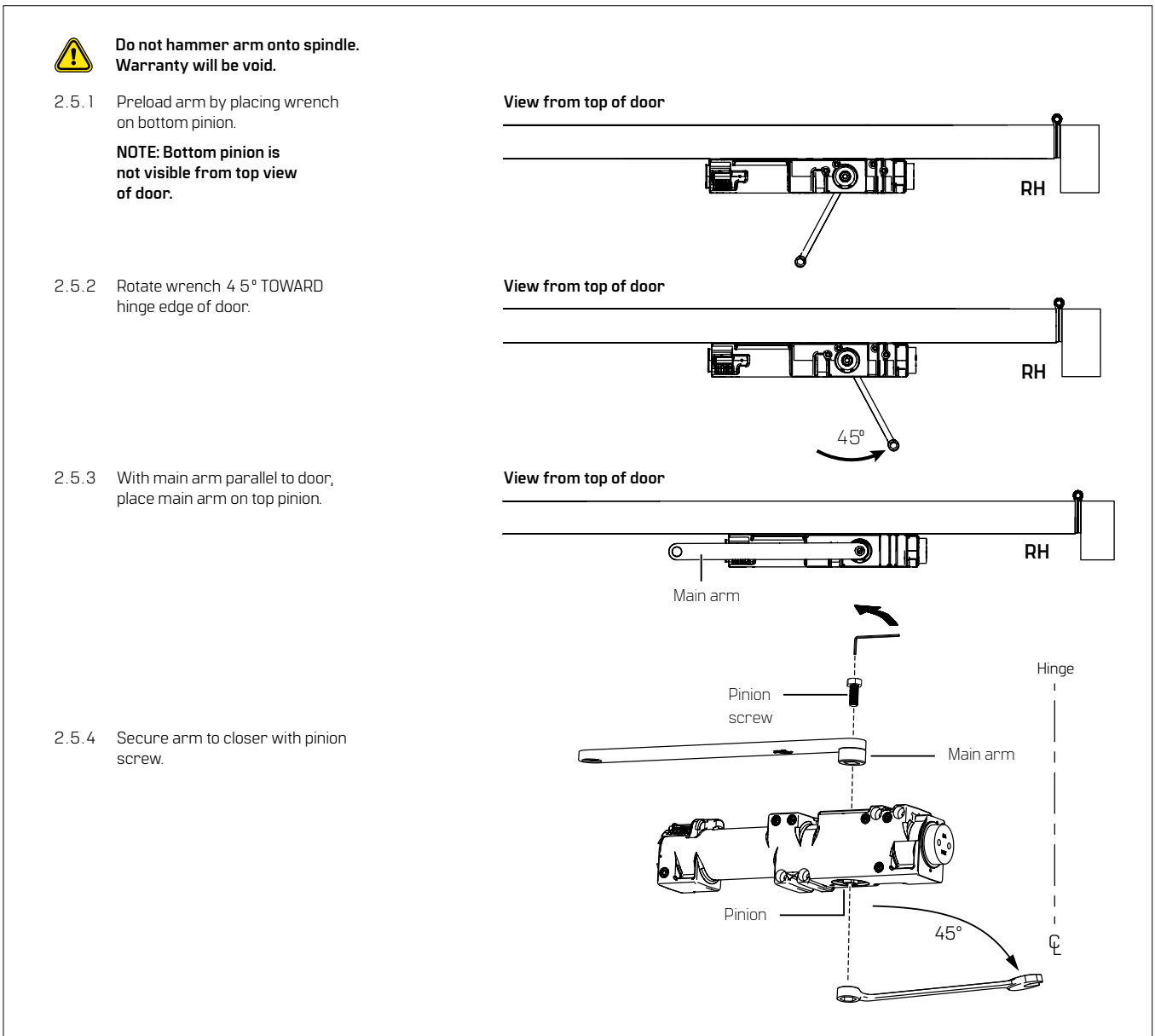
2.4 Securing soffit plate to frame: narrow frame bracket

Fig.5



2.5 Securing main arm to closer

Fig.6



3 Adjustments



Confirm closer spring size prior to making any closing speed adjustments.



Do not back valve heads out beyond closer casting.



Maximum opening angle is 110°.



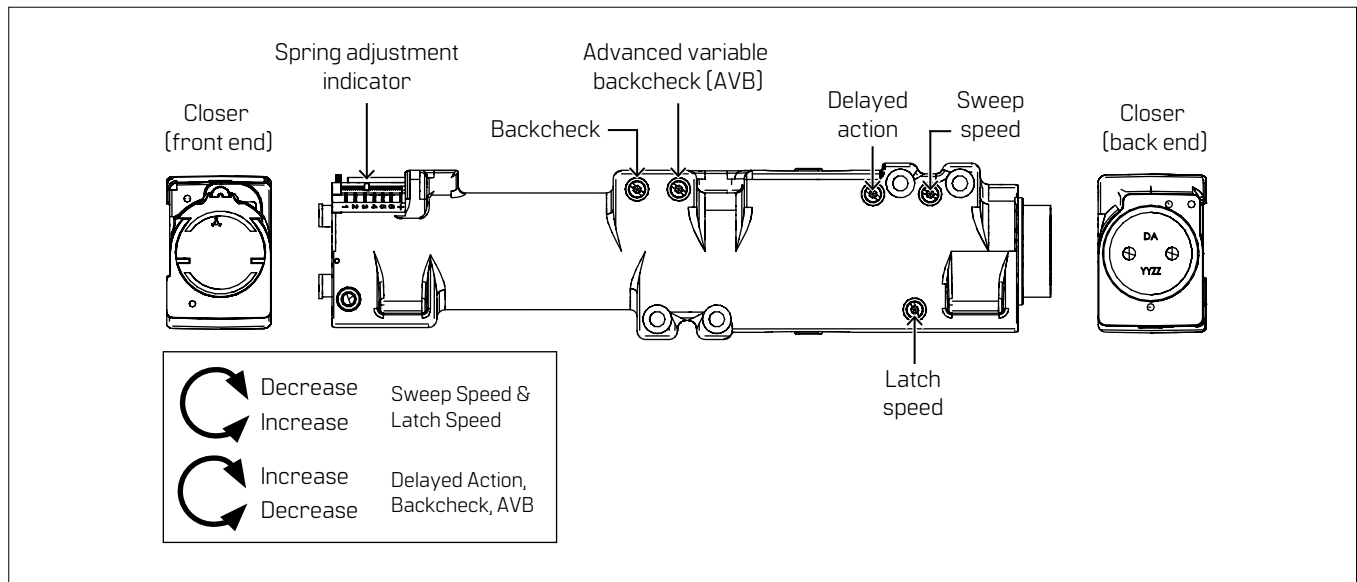
Door should close in 5 to 7 seconds from 90°.



Do not close valves completely.

3.1 Adjusting closing speeds: sweep, latch, backcheck, delayed action

Fig.7



3.1.1 Adjust **closing sweep speed**: 90° to start of latch speed.

- Increase sweep speed: Turn valve counter-clockwise.
- Decrease sweep speed: Turn valve clockwise.

3.1.2 Adjust **closing latch speed**: 15° to close.

- Increase latch speed: Turn valve counter-clockwise.
- Decrease latch speed: Turn valve clockwise.

3.1.3 Adjust **opening backcheck**: beginning at 80°.

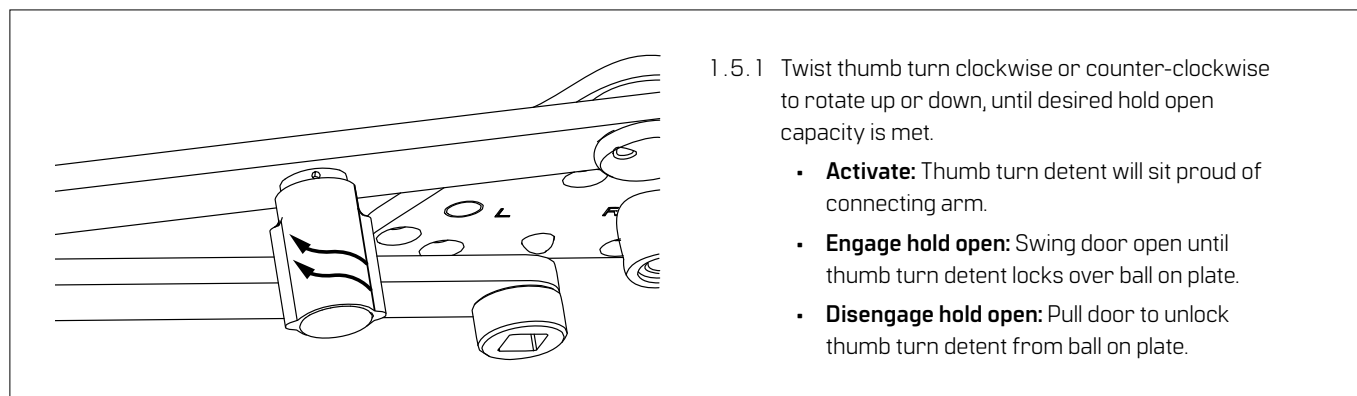
- Increase resistance: Turn valve clockwise.
- Decrease resistance: Turn valve counter-clockwise.

3.1.4 Adjust **closing delayed action**: beginning at 60°.

- Increase delayed action: Turn valve clockwise.
- Decrease delayed action: Turn valve counter-clockwise.

3.2 Adjusting thumb hold open (optional), setting hold open DST/SDST

Fig.8

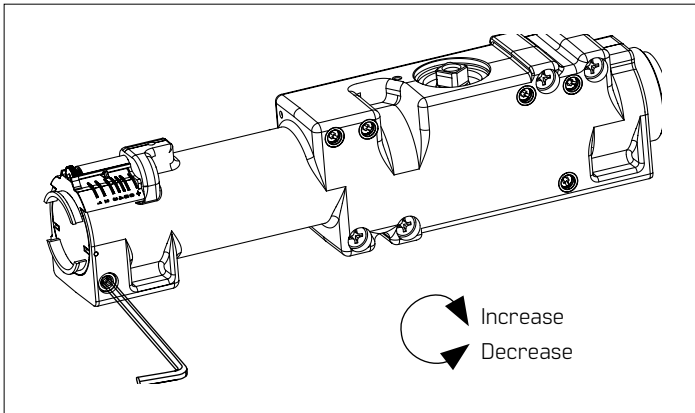


1.5.1 Twist thumb turn clockwise or counter-clockwise to rotate up or down, until desired hold open capacity is met.

- **Activate:** Thumb turn detent will sit proud of connecting arm.
- **Engage hold open:** Swing door open until thumb turn detent locks over ball on plate.
- **Disengage hold open:** Pull door to unlock thumb turn detent from ball on plate.

3.3 Adjusting spring force

Fig.9

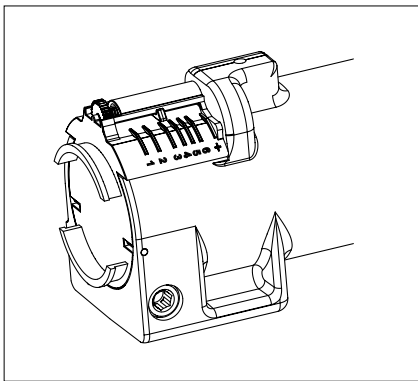


**Adjust spring size by hand only.
Do NOT use a drill or power tools.
Warranty will be void.**

**NOTICE: EHD9016 is adjustable size 1 through 6.
Supplied with a size 3.**

NOTE: Barrier free openings:

Take an opening force reading from the pull on the door. If required, adjust the spring force to meet the barrier-free requirement. Depending on opening conditions, a door adjusted to meet barrier-free forces may not have sufficient power to reliably close and latch the door.

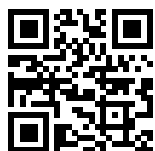
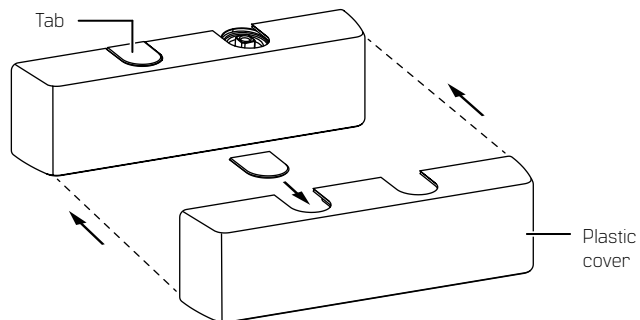


Parallel mount					
	Closer size	Max door weight (lbs)	Door width		Full turns
			Interior	Exterior	
EHD9016	1	50	2'6"	----	-55
	2	80	3'	2'6"	-30
	3	100	3'6"	3'	0
	4	125	3'	2'6"	+19
	5	150	3'6"	3'	+37
	6	200	4'	3'6"	+52
	6+	200	----	4'	+70

4 Installing covers

Fig. 1 0

- 4.1.1 Place tab in cover slot, opposite main arm.
- 4.1.2 Place cover over closer and snap into place.



English

For Complete Online Instructions Visit:

<https://dhwsupport.dormakaba.com/hc/en-us>

For assistance or warranty information:

Call 1-800-392-5209 or visit

<https://dhwsupport.dormakaba.com/hc/en-us>



Español

Para ver las instrucciones en línea, visite:

<https://dhwsupport.dormakaba.com/hc/en-us>

Para recibir asistencia o información sobre la garantía:

Llame al 1-800-392-5209 o visite

<https://dhwsupport.dormakaba.com/hc/en-us>



Français

Pour obtenir des instructions complètes en ligne, consultez le site :

<https://dhwsupport.dormakaba.com/hc/en-us>

Pour obtenir de l'aide ou des renseignements sur la garantie :

Composez le 1-800-392-5209 ou rendez-vous sur le site

<https://dhwsupport.dormakaba.com/hc/fr-ca>