

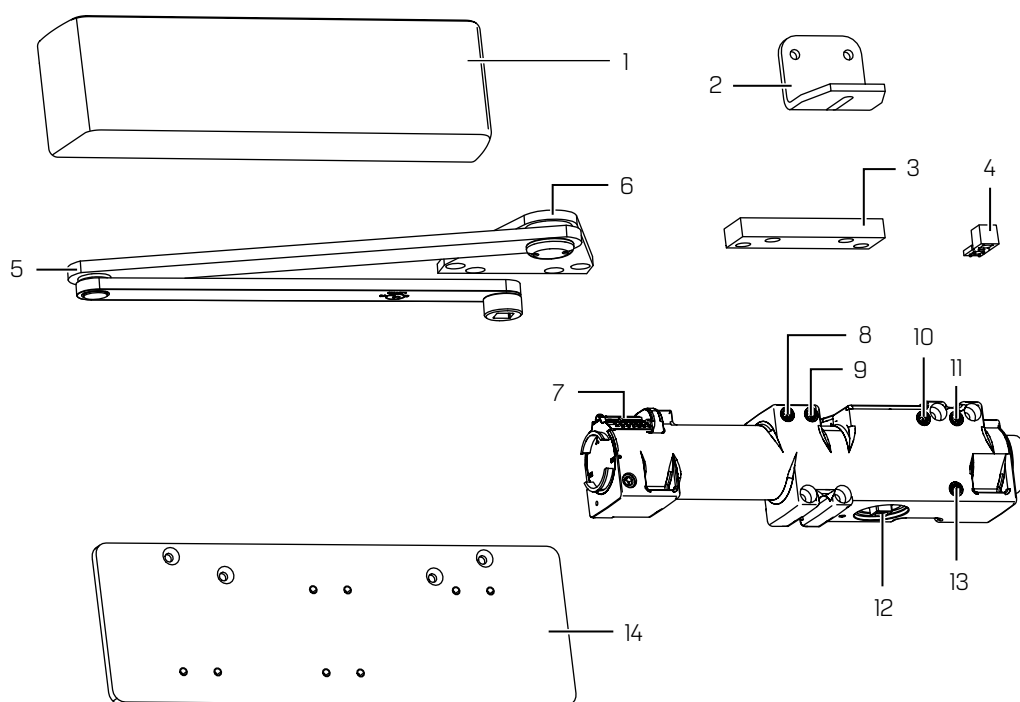
EHD9000 SPA/SPAT

Heavy duty super parallel arm mount and DP90
(optional BSHD blade stop and NFHD bracket)

Installation Instructions

OVERVIEW

Surface closer components



1 Cover

2 Heavy duty narrow frame
bracket (optional)

3 Blade stop spacer (optional)

4 Spacer block

5 Super parallel arm

6 Soffit plate

7 Spring adjustment indicator

8 Backcheck

9 Advanced variable backcheck

10 Delayed action

11 Sweep speed

12 Pinion

13 Latch speed











14 Drop plate (optional)

Table of contents

1	Technical specifications	3
1.1	Overview	3
1.2	Tools recommended	3
1.3	Handing the door	3
2	Instructions - parallel mount	4
2.1	Installing surface closer	4
2.2	Securing soffit plate to frame: spacer block, blade stop, or narrow frame bracket	4
2.3	Securing main arm to closer	5
2.4	Optional hold open	6
3	Adjustments	6
3.1	Adjusting closing speeds: sweep, latch, backcheck, delayed action (if applicable)	6
3.2	Adjusting spring force	7
4	Installing covers	8

1 Technical specifications

1.1 Overview

-  Sex nuts are required for attachment of components to unreinforced doors and to wood or plastic faced composite type fire doors, unless an alternative method is identified in the individual door manufacturer's listings.
-  Maximum door opening degree is 180°.
-  Minimum door width 24".
-  Hold open at 90° or 125° with optional hold open kit.
-  Follow template to properly prepare door and frame for all accessories of the closer installation.
-  Know the swing of the door which is being installed prior to installation.
-  Verify closer spring size prior to installation.
-  Make sure door efficiently operates prior to installing closer.
-  Do not hammer arm onto spindle. Warranty will be void.
-  Adjust spring size by hand only. Do NOT use a drill or power tools. Warranty will be void.

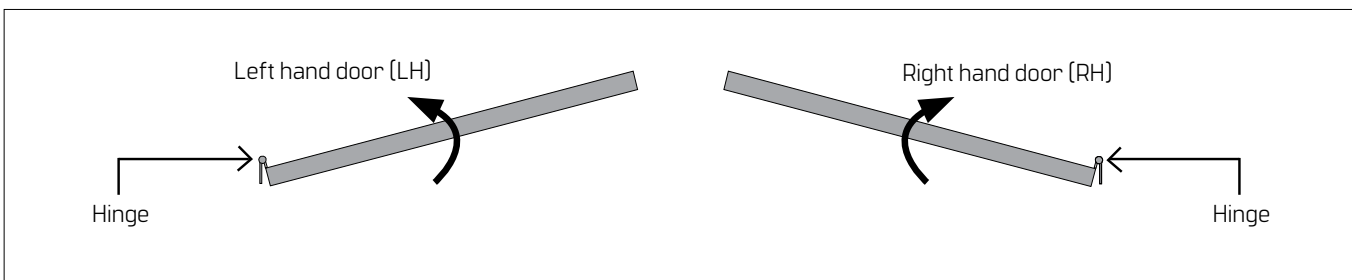
1.2 Tools recommended

Table 1

Drill bits:	#3 Phillips screwdriver
Metal: 1 3/64" or #7 drill bit; 1/4-20 tap	3/16" flat head screwdriver
Wood: 5/32" bit	Hex keys: 3mm, 5mm, 3/16"
1/2" box wrench	

1.3 Handing the door

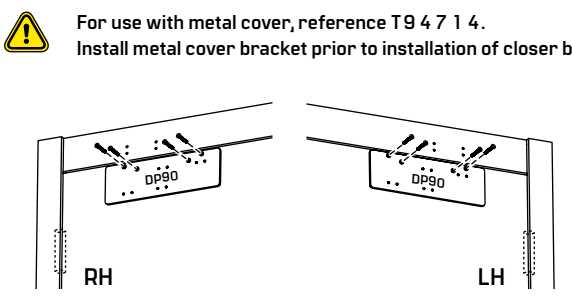
Fig. 1



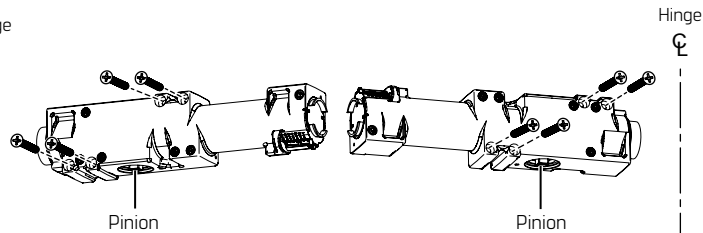
2 Instructions - parallel mount

2.1 Installing surface closer

Fig.2



⚠ For use with metal cover, reference T9 4 7 1 4.
Install metal cover bracket prior to installation of closer body.



2.1.1 Reference template T95 1 0 7, T95 1 0 8, T95 1 0 9.

2.1.2 Secure drop plate (optional).

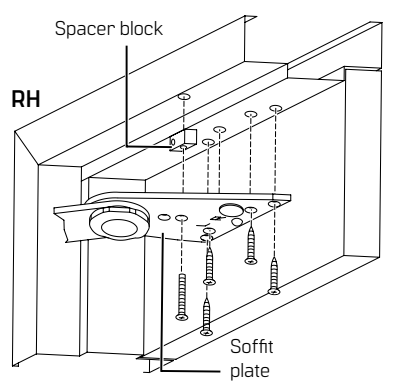
2.1.3 Secure closer body to door.

NOTE: Orient closer body so pinion is toward hinge.

2.2 Securing soffit plate to frame: spacer block, blade stop, or narrow frame bracket

Fig.3

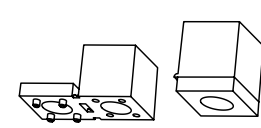
Standard with spacer block



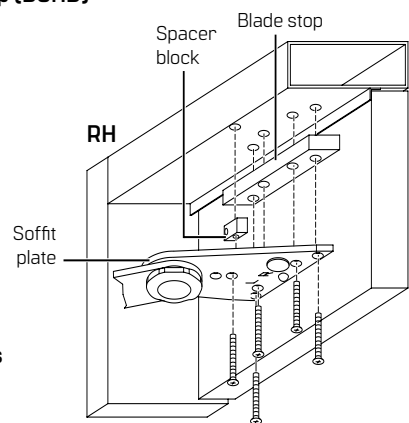
2.2.1 Secure spacer block and soffit plate to frame.

2.2.2 Use included fasteners.

NOTE: Spacer block is 2 dimensional for 1/2" and 5/8" stop heights. Rotate block accordingly.



With optional blade stop (BSHD)



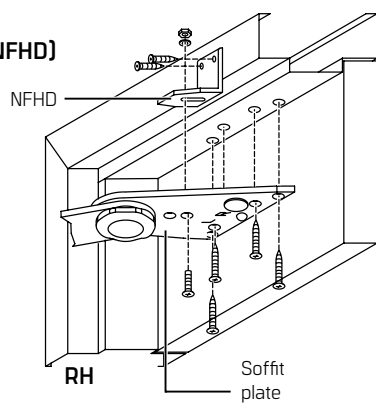
2.2.3 Secure blade stop, spacer block, and soffit plate to frame.

2.2.4 Use included fasteners.

2.2.5 Install spacer block using 1/2" height.

NOTE: If frame width is 4 - 1/2" or less, NFHD bracket should be used.

With optional heavy duty narrow frame bracket (NFHD)



2.2.6 Secure NFHD bracket and soffit plate to frame.

2.2.7 Use included fasteners.

2.3 Securing main arm to closer

Fig.4

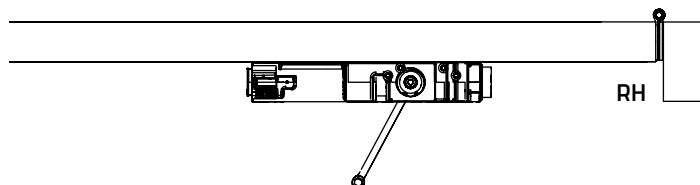


Do not hammer arm onto spindle. Warranty will be void.

- 2.3.1 Preload arm by placing wrench on bottom pinion.

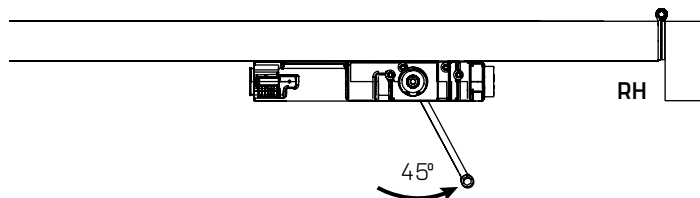
NOTE: Bottom pinion is not visible from top view of door.

View from top of door



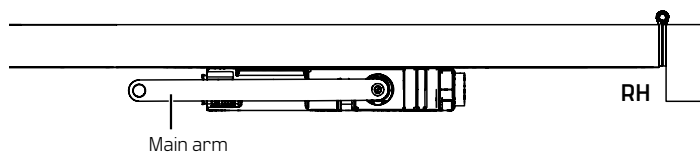
- 2.3.2 Rotate wrench 45° TOWARD hinge edge of door.

View from top of door

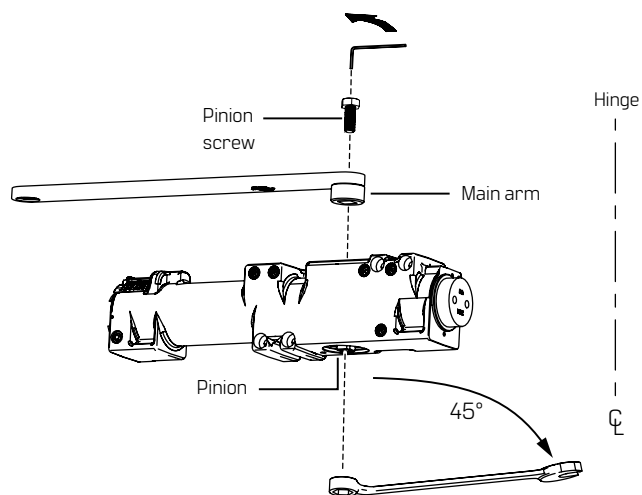


- 2.3.3 With main arm parallel to door, place main arm on top pinion.

View from top of door

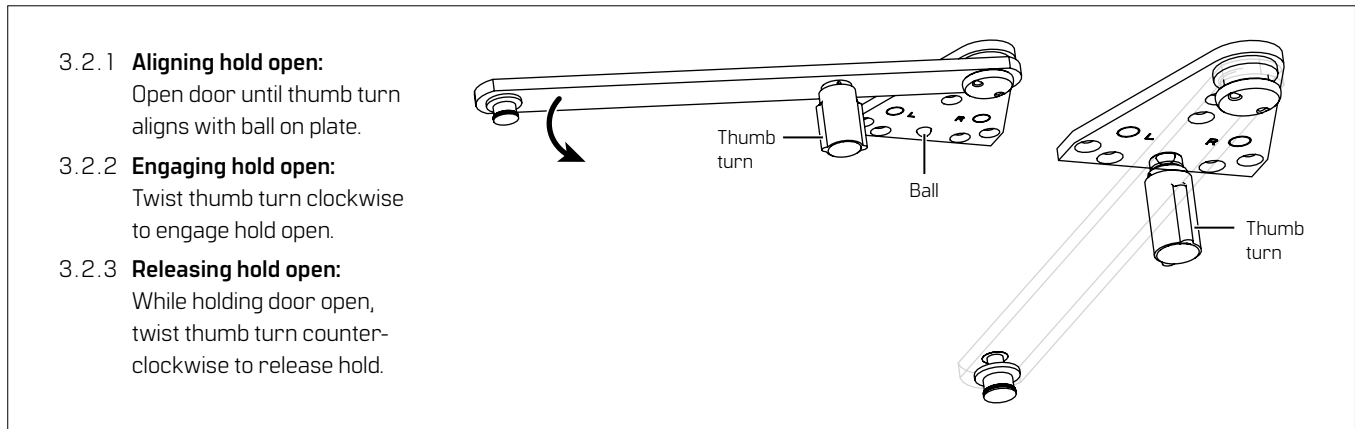


- 2.3.4 Secure arm to closer with pinion screw.



2.4 Optional hold open

Fig.5



3 Adjustments



Confirm closer spring size prior to making any closing speed adjustments.



Maximum opening angle is 180°.



Do not back valve heads out beyond closer casting.



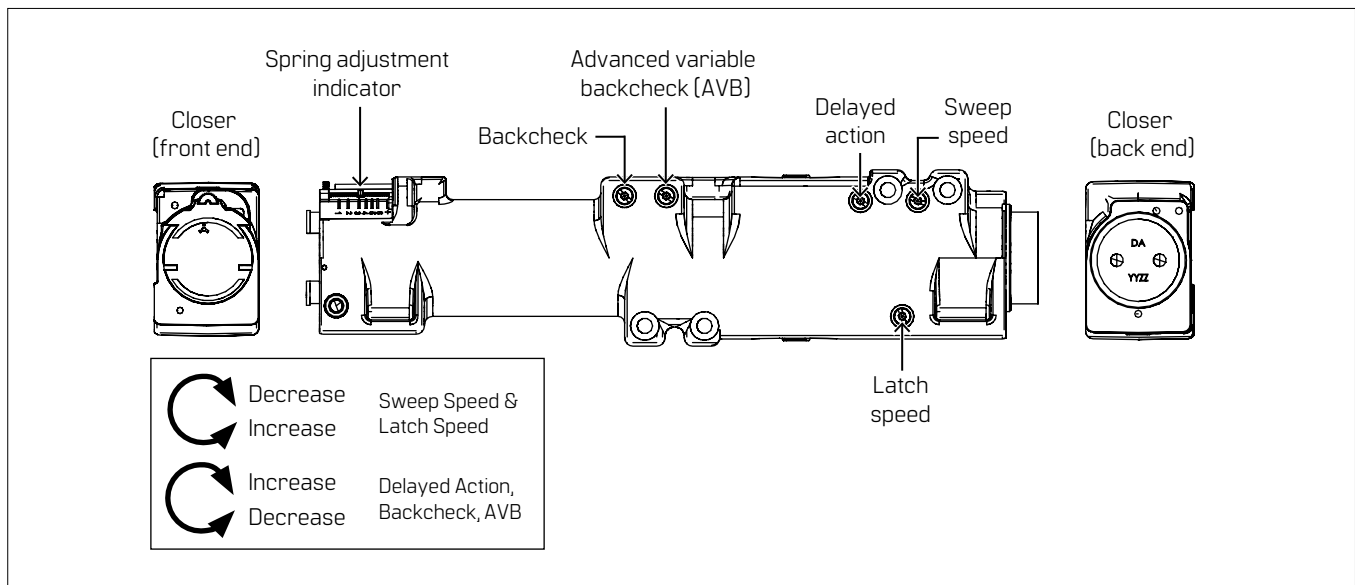
Door should close in 5 to 7 seconds from 90°.



Do not close valves completely.

3.1 Adjusting closing speeds: sweep, latch, backcheck, delayed action (if applicable)

Fig.6



3.1.1 Adjust **closing sweep speed**: 90° to start of latch speed.

- Increase sweep speed: Turn valve counter-clockwise.
- Decrease sweep speed: Turn valve clockwise.

3.1.2 Adjust **closing latch speed**: 15° to close.

- Increase latch speed: Turn valve counter-clockwise.
- Decrease latch speed: Turn valve clockwise.

3.1.3 Adjust **opening backcheck**: beginning at 80°.

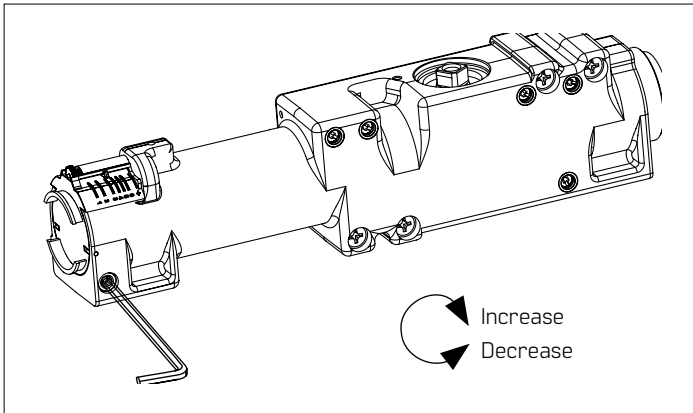
- Increase resistance: Turn valve clockwise.
- Decrease resistance: Turn valve counter-clockwise.

3.1.4 Adjust **closing delayed action**: beginning at 60°.

- Increase delayed action: Turn valve clockwise.
- Decrease delayed action: Turn valve counter-clockwise.

3.2 Adjusting spring force

Fig.7

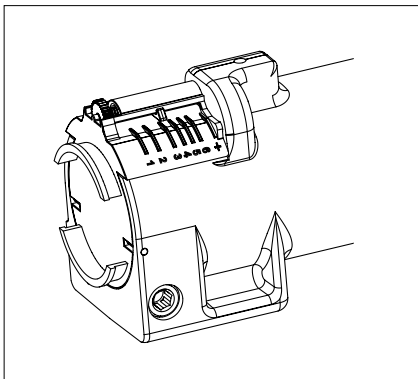


**Adjust spring size by hand only.
Do NOT use a drill or power tools.
Warranty will be void.**

**NOTICE: EHD9016 is adjustable size 1 through 6.
Supplied with a size 3.**

NOTE: Barrier free openings:

Take an opening force reading from the pull on the door. If required, adjust the spring force to meet the barrier-free requirement. Depending on opening conditions, a door adjusted to meet barrier-free forces may not have sufficient power to reliably close and latch the door.

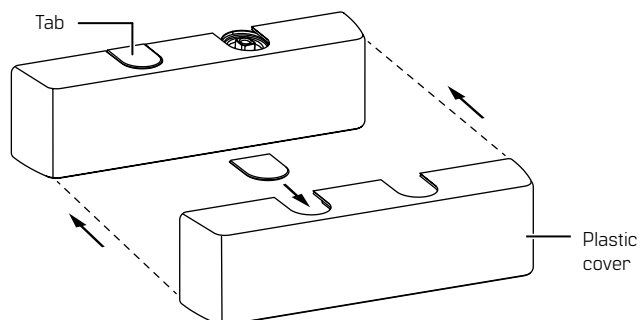


Parallel mount					
	Closer size	Max door weight (lbs)	Door width		Full turns
			Interior	Exterior	
EHD9016	1	50	2'6"	----	-55
	2	80	3'	2'6"	-30
	3	100	3'6"	3'	0
	4	125	3'	2'6"	+19
	5	150	3'6"	3'	+37
	6	200	4'	3'6"	+52
	6+	200	----	4'	+70

4 Installing covers

Fig.8

- 4.1.1 Place tab in cover slot, opposite main arm.
- 4.1.2 Place cover over closer and snap into place.



English

For Complete Online Instructions Visit:
<https://dhwsupport.dormakaba.com/hc/en-us>
For assistance or warranty information:
Call 1-800-392-5209 or visit
<https://dhwsupport.dormakaba.com/hc/en-us>



Español

Para ver las instrucciones en línea, visite:
<https://dhwsupport.dormakaba.com/hc/en-us>
Para recibir asistencia o información sobre la garantía:
Llame al 1-800-392-5209 o visite
<https://dhwsupport.dormakaba.com/hc/en-us>



Français

Pour obtenir des instructions complètes en ligne, consultez le site :
<https://dhwsupport.dormakaba.com/hc/en-us>
Pour obtenir de l'aide ou des renseignements sur la garantie :
Composez le 1-800-392-5209 ou rendez-vous sur le site
<https://dhwsupport.dormakaba.com/hc/fr-ca>