

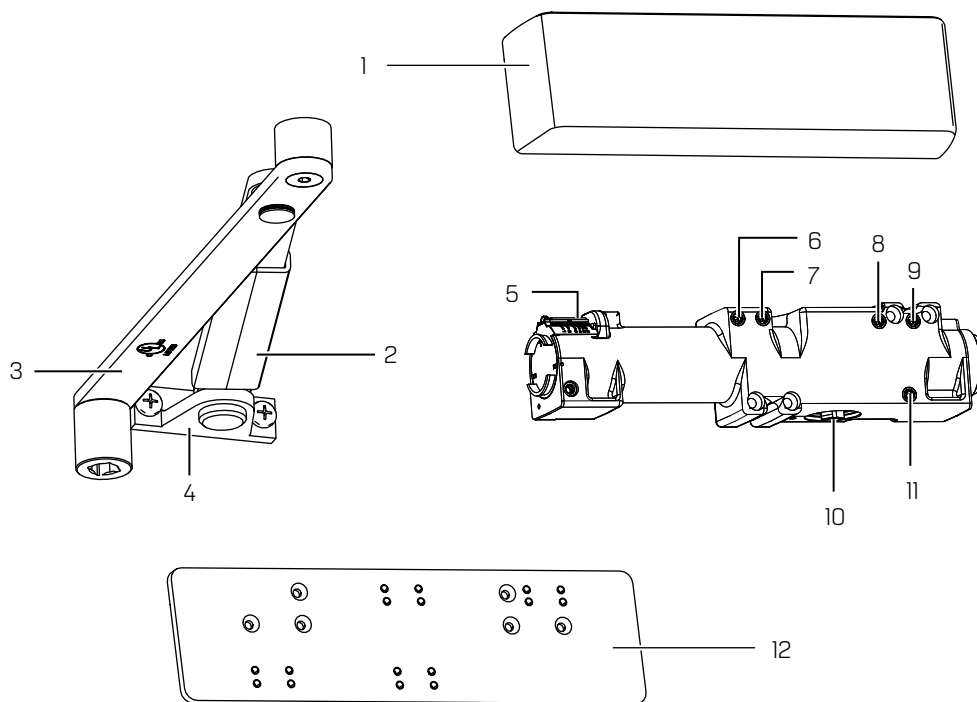
# EHD9000 IS/ISJ/ISH/ISJH

Surface applied closer Integra stop arm for regular and top jamb mounts with optional hold open [ISH/ISJH]

## Installation Instructions

### OVERVIEW

#### Surface closer components



**1** Full cover (standard)

**2** Connecting arm

**3** Main arm

**4** Bar/shoe assembly

**5** Spring adjustment indicator

**6** Backcheck

**7** Advanced variable backcheck

**8** Delayed action

**9** Sweep speed

**10** Pinion

**11** Latch speed

**12** Backplate (optional)

# Table of contents

<b>1</b>	<b>Technical specifications</b>	<b>3</b>
1.1	Overview	3
1.2	Tools recommended	3
1.3	Handing the door	3
<b>2</b>	<b>Instructions - regular mount</b>	<b>4</b>
2.1	Securing surface closer and main arm to door	4
2.2	Securing main arm to closer	4
<b>3</b>	<b>Instructions - top jamb mount</b>	<b>5</b>
3.1	Securing surface closer and main arm to frame	5
3.2	Securing main arm to closer	5
<b>4</b>	<b>Adjustments</b>	<b>6</b>
4.1	Adjusting closing speeds: sweep, latch, backcheck, delayed action	6
4.2	Adjusting optional hold open	6
4.3	Adjusting spring force	7
<b>5</b>	<b>Installing covers</b>	<b>8</b>

# 1 Technical specifications

## 1.1 Overview



Sex nuts are required for attachment of components to unreinforced doors and to wood or plastic faced composite type fire doors, unless an alternative method is identified in the individual door manufacturer's listings.



Maximum 6 - 1/2" reveal on top jamb mounts for max openings.



Know the swing of the door which is being installed prior to installation.



Verify closer spring size prior to installation.



Make sure door efficiently operates prior to installing closer.



Do not hammer arm onto spindle. Warranty will be void.



Adjust spring size by hand only. Do NOT use a drill or power tools. Warranty will be void.

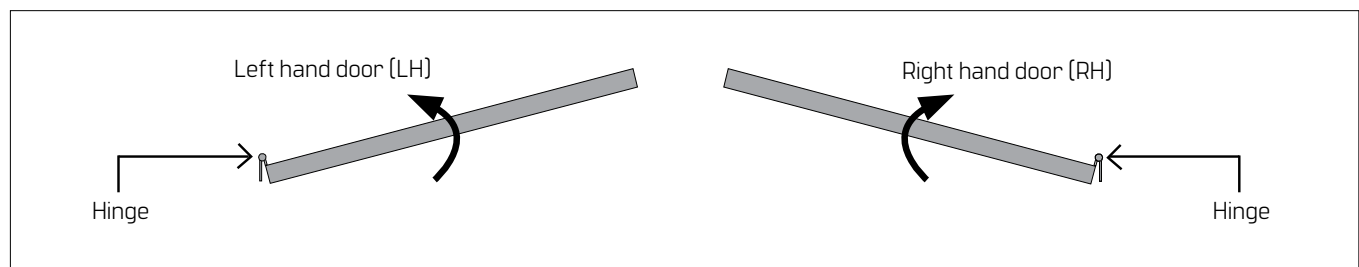
## 1.2 Tools recommended

Table 1

<b>Drill bits:</b>	#3 Phillips screwdriver
<b>Metal:</b> 7/32" drill bit; #12-24 tap	1/2" or 13mm box wrench
<b>Wood:</b> 5/32" bit	10" adjustable wrench
<b>DPK:</b> 1/8"	<b>Hex keys:</b> 3mm, 5mm, 3/16"
<b>Sex nuts:</b> 3/8"	

## 1.3 Handing the door

Fig. 1



# 2 Instructions - regular mount

## 2.1 Securing surface closer and main arm to door

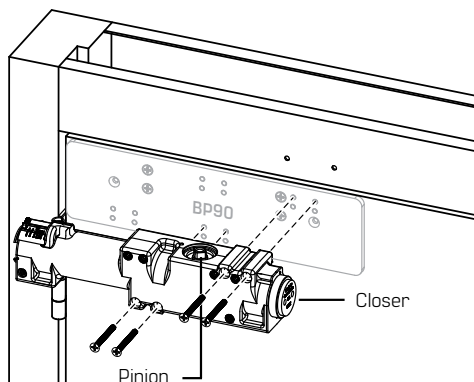
Fig.2

**Installation with optional backplate [BP90]:**

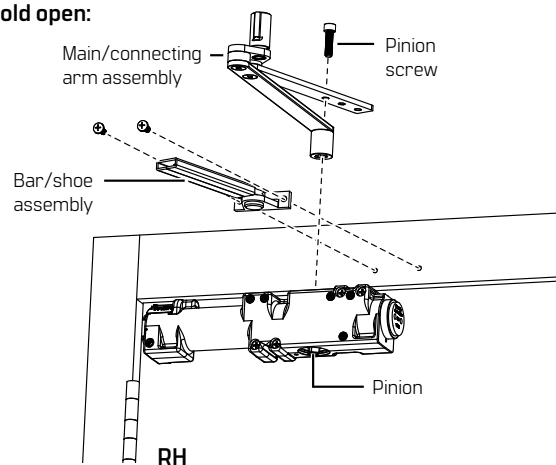
2.1.1 Secure backplate [BP90] to door using four #1 2-2 4 x 2" Phillips flat head screws [#1 2-2 4 x 2-3/4" Phillips flat head wood screws] provided.

2.1.2 Secure closer body to backplate using four #1 2-2 4 x 2" screws

**NOTE: For installation without backplate, secure closer body to door using four #1 4-2 0" screws [#1 4 wood screws].**



**Hold open:**



2.1.3 Secure the bar/shoe assembly to frame using two #1 4-2 0 x 5/8" Phillips round head screws [#1 4-2 0 x 1-1/4" round head wood screws] provided.

2.1.4 Secure main arm to operator pinion with provided pinion screw [M8 x 3 0 socket head cap screw].

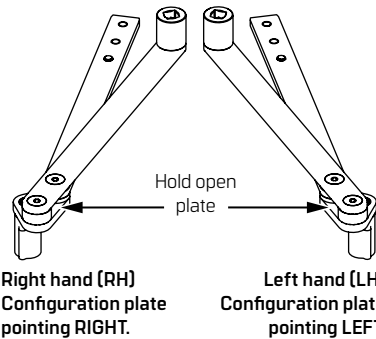
**⚠ Do not hammer arm onto spindle. Warranty will be void.**

**Disassemble hold open plate (if applicable):**

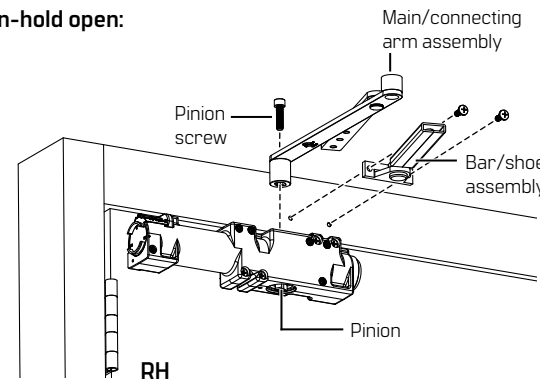
2.1.5 Remove both screws from bottom of plate using a 3/16" hex key.

2.1.6 Keeping all washers in place, flip plate over to orient as shown.

2.1.7 Re-secure plate with both screws.



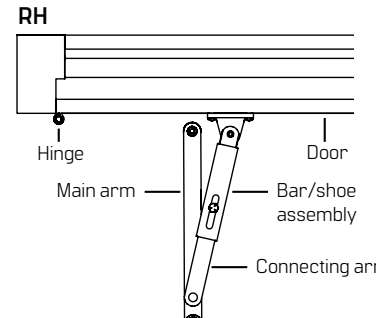
**Non-hold open:**



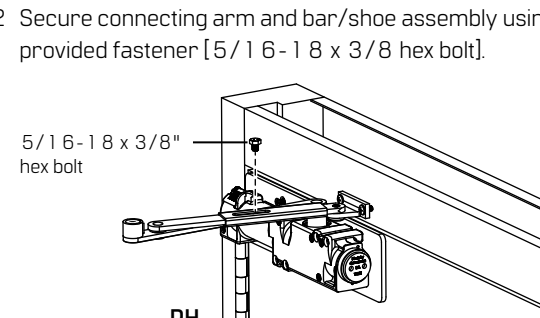
## 2.2 Securing main arm to closer

Fig.3

2.2.1 Slide end of connecting arm into end of bar/shoe assembly.



2.2.2 Secure connecting arm and bar/shoe assembly using provided fastener [5/16-18 x 3/8 hex bolt].



# 3 Instructions - top jamb mount

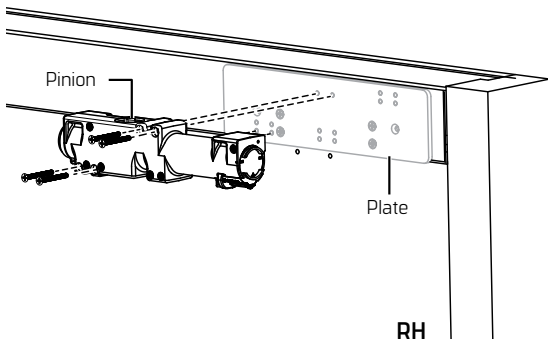
## 3.1 Securing surface closer and main arm to frame

Fig 4

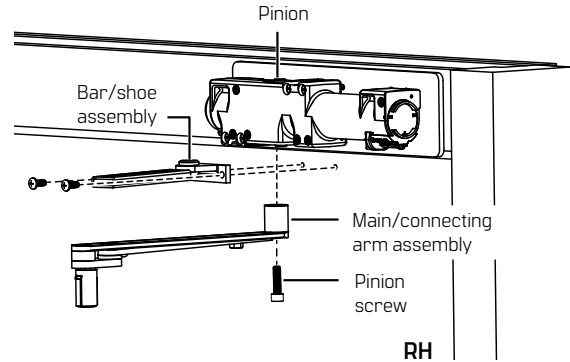
### Installation with optional backplate [BP90]:

- 3.1.1 Secure backplate [BP90] to frame using four #1 2-2 4 x 5/8" flat head screws [#1 2-2 4 x 1-1/2 Phillips flat head wood screws] provided.
- 3.1.2 Secure closer body to backplate using four #1 2-2 4 x 2" Phillips flat head screws provided.

**NOTE: For installation without backplate, secure closer body to door using four #1/4-2 0" screws [#1 4 wood screws].**



### Hold open:



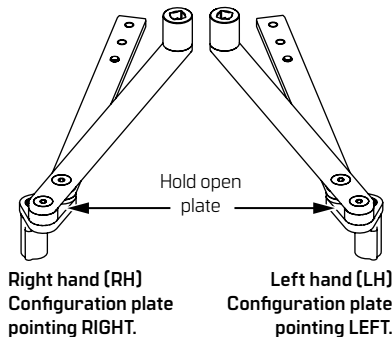
- 3.1.3 Secure bar/shoe assembly to mounting surface using two #1 4-2 0 x 5/8" PH round head screws [#1 4-2 0 x 1-1/4" round head wood screws] provided.
- 3.1.4 Secure main arm to operator pinion with provided pinion screw [M8 x 3 0 socket head cap screw].



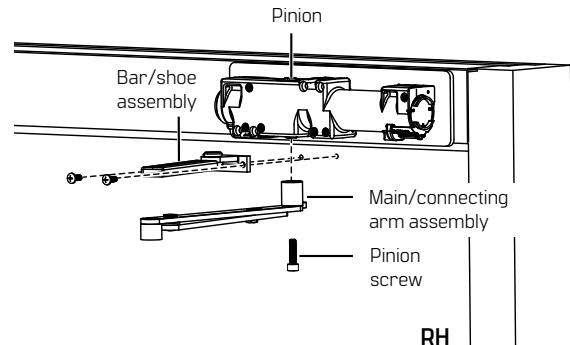
**Do not hammer arm onto spindle.  
Warranty will be void.**

### Disassemble hold open plate (if applicable):

- 3.1.5 Remove both screws from bottom of plate using a 3/16" hex key
- 3.1.6 Keeping all washers in place, flip plate over to orient as shown.
- 3.1.7 Re-secure plate with both screws.



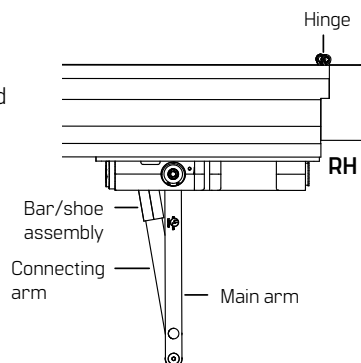
### Non-hold open:



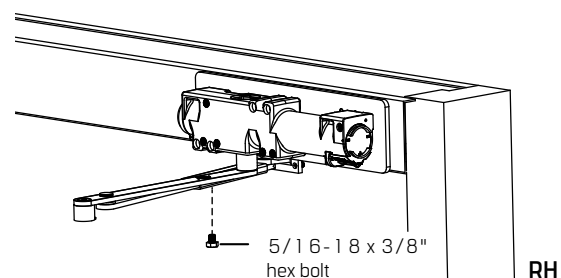
## 3.2 Securing main arm to closer

Fig 5

- 3.2.1 Slide end of connecting arm into end of bar/shoe assembly.



- 3.2.2 Secure connecting arm and bar/shoe assembly using provided fastener [5/16-18 x 3/8" hex bolt].



# 4 Adjustments



Confirm closer spring size prior to making any closing speed adjustments.



Do not back valve heads out beyond closer casting.



Maximum opening angle is 110°.



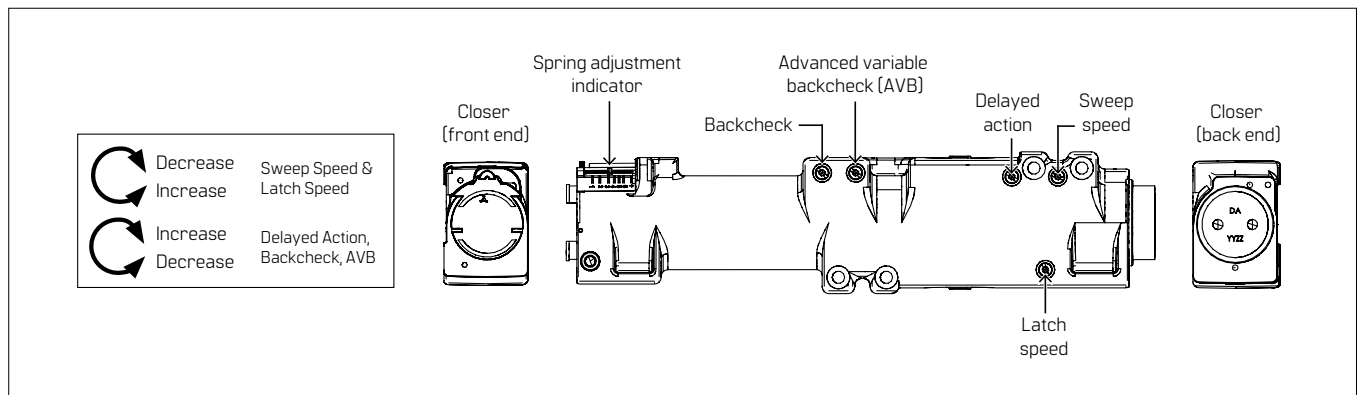
Door should close in 5 to 7 seconds from 90°.



Do not close valves completely.

## 4.1 Adjusting closing speeds: sweep, latch, backcheck, delayed action

Fig.6



3.1.1 Adjust **closing sweep speed**: 90° to start of latch speed.

- Increase sweep speed: Turn valve counter-clockwise.
- Decrease sweep speed: Turn valve clockwise.

3.1.2 Adjust **closing latch speed**: 15° to close.

- Increase latch speed: Turn valve counter-clockwise.
- Decrease latch speed: Turn valve clockwise.

3.1.3 Adjust **opening backcheck**: beginning at 80°.

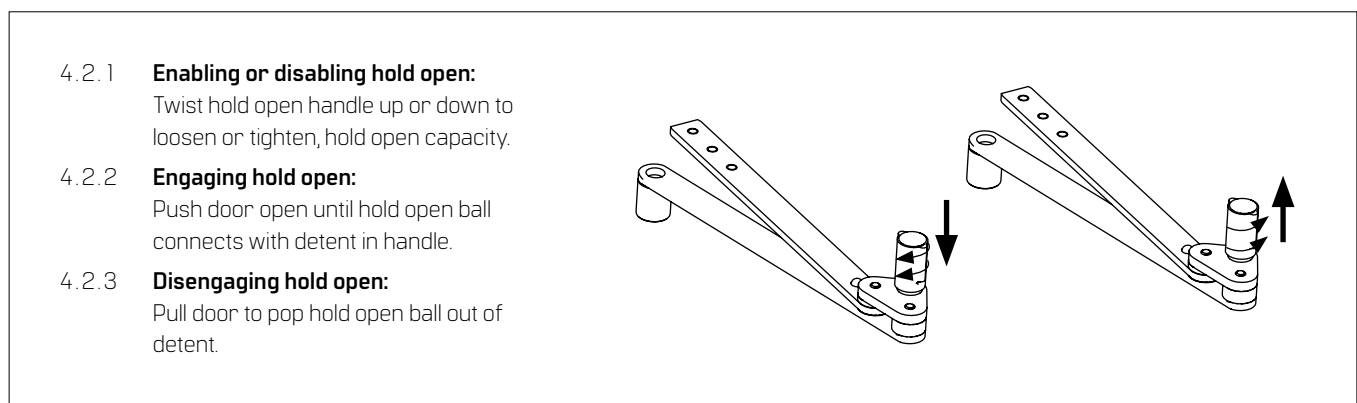
- Increase resistance: Turn valve clockwise.
- Decrease resistance: Turn valve counter-clockwise.

3.1.4 Adjust **closing delayed action**: angle 180° to 60°.

- Increase delayed action: Turn valve clockwise.
- Decrease delayed action: Turn valve counter-clockwise.

## 4.2 Adjusting optional hold open

Fig.7



4.2.1 **Enabling or disabling hold open:**

Twist hold open handle up or down to loosen or tighten, hold open capacity.

4.2.2 **Engaging hold open:**

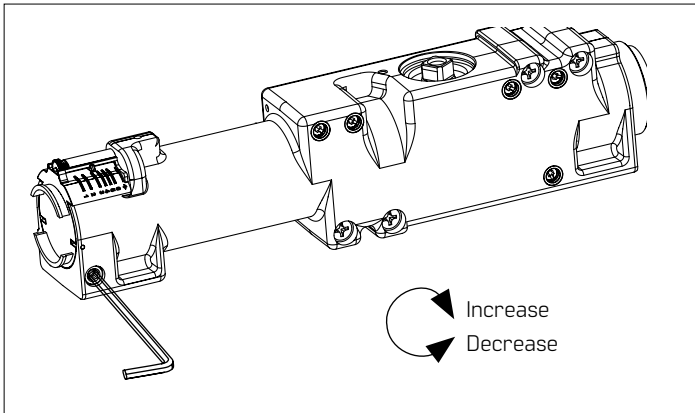
Push door open until hold open ball connects with detent in handle.

4.2.3 **Disengaging hold open:**

Pull door to pop hold open ball out of detent.

### 4.3 Adjusting spring force

Fig.8

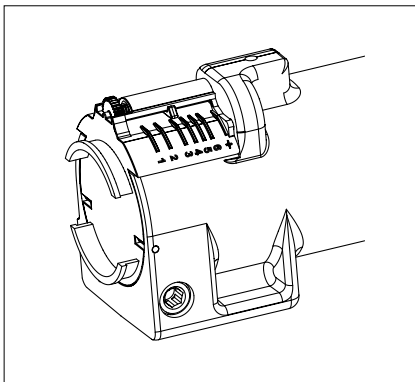


**Adjust spring size by hand only.  
Do NOT use a drill or power tools.  
Warranty will be void.**

**NOTICE: EHD9016 is adjustable size 1 through 6.  
Supplied with a size 3.**

**NOTE: Barrier free openings:**

Take an opening force reading from the pull on the door. If required, adjust the spring force to meet the barrier-free requirement. Depending on opening conditions, a door adjusted to meet barrier-free forces may not have sufficient power to reliably close and latch the door.

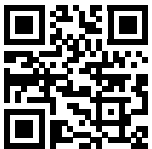
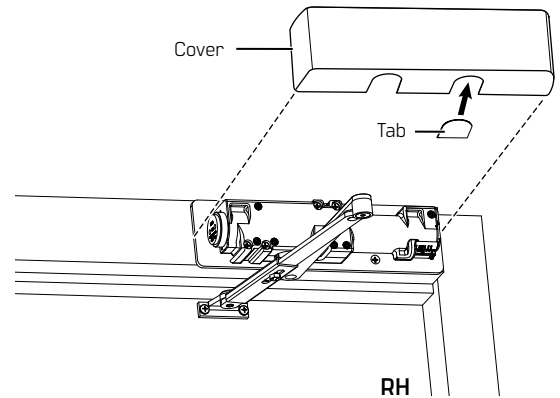


Regular and Top jamb mount					
	Closer size	Max door weight (lbs)	Door width		Full turns
			Interior	Exterior	
EHD9016	1	ADA	♿	----	-55
	2	100	2'6"	----	-30
	3	125	3'	2'6"	0
	4	150	3'6"	3'	+19
	5	200	4'	3'6"	+37
	6	250	----	4'	+52
	6+	250	----	4'	+70

# 5 Installing covers

Fig.9

- 5.1.1 Place tab in cover slot, opposite main arm.
- 5.1.2 Snap cover over closer body.



English

**For Complete Online Instructions Visit:**  
<https://dhwsupport.dormakaba.com/hc/en-us>  
**For assistance or warranty information:**  
Call 1-800-392-5209 or visit  
<https://dhwsupport.dormakaba.com/hc/en-us>



Español

**Para ver las instrucciones en línea, visite:**  
<https://dhwsupport.dormakaba.com/hc/en-us>  
**Para recibir asistencia o información sobre la garantía:**  
Llame al 1-800-392-5209 o visite  
<https://dhwsupport.dormakaba.com/hc/en-us>



Français

**Pour obtenir des instructions complètes en ligne, consultez le site :**  
<https://dhwsupport.dormakaba.com/hc/en-us>  
**Pour obtenir de l'aide ou des renseignements sur la garantie :**  
Composez le 1-800-392-5209 ou rendez-vous sur le site  
<https://dhwsupport.dormakaba.com/hc/fr-ca>