

**EHD9000 AF/AFJ/AFP**

Flat arm for regular, top jamb and parallel mounts with no hold open

**Installation Instructions****OVERVIEW**

- 1** Closer body

---

- 2** Connecting arm

---

- 3** Bar and shoe

---

- 4** Pinion screw

---

- 5** Flat head screws

---

- 6** Pan head screws

---

- 7** Connecting arm screw

---

- 8** PA shoe screws

---

- 9** PA bracket

---

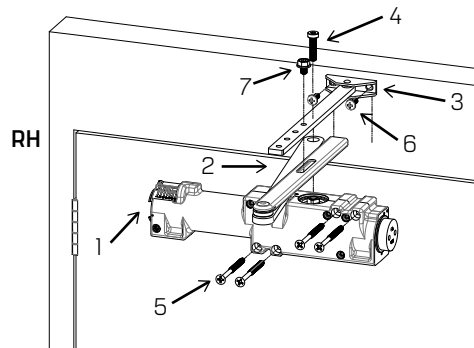
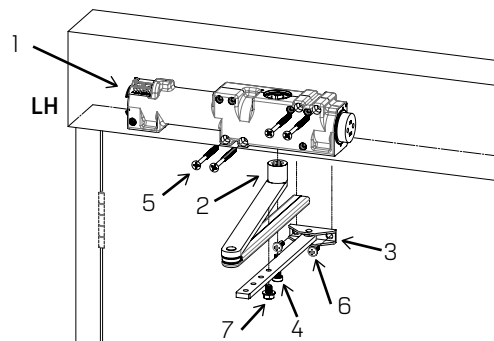
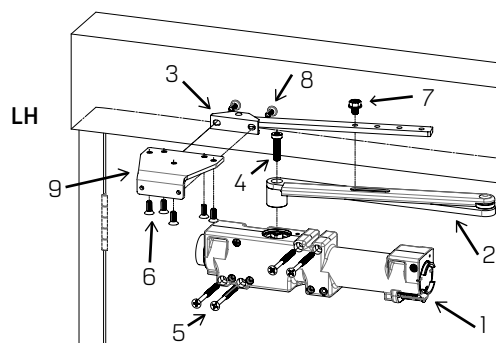
- 10** Plastic cover

---

- 11** Sex nuts

---

- 12** Plates

**Regular mount****Top jamb mount****Parallel mount**

# Table of contents

<b>1</b>	<b>Technical specifications</b>	<b>3</b>
1.1	Overview	3
1.2	Tools recommended	3
1.3	Handing the door	3
1.4	Surface closer components	3
<b>2</b>	<b>Installation - regular mount</b>	<b>4</b>
2.1	Surface closer system	4
2.2	Installing the surface closer and backplate (optional)	4
2.3	Installing main arm	4
<b>3</b>	<b>Instructions - top jamb mount</b>	<b>5</b>
3.1	Surface closer system	5
3.2	Installing the surface closer and plate (optional)	5
3.3	Installing main arm	5
<b>4</b>	<b>Instructions - parallel mount</b>	<b>6</b>
4.1	Surface closer system	6
4.2	Installing the surface closer and drop plate (optional)	6
4.3	Installing main arm	6
<b>5</b>	<b>Adjustments</b>	<b>7</b>
5.1	Adjust closing speeds: sweep, latch, backcheck, delayed action if applicable	7
5.2	Adjust spring force	7
<b>6</b>	<b>Install covers</b>	<b>8</b>

# 1 Technical specifications

## 1.1 Overview



**Caution:** sex nuts are required for attachment of components to unreinforced doors and to wood or plastic faced composite type fire doors, unless an alternative method is identified in the individual door manufacturer's listings.



Know the swing of the door which is being installed prior to installation.



Verify closer spring size prior to installation.



Make sure door efficiently operates prior to installing closer.



Do not hammer arm onto spindle. Warranty will be void.

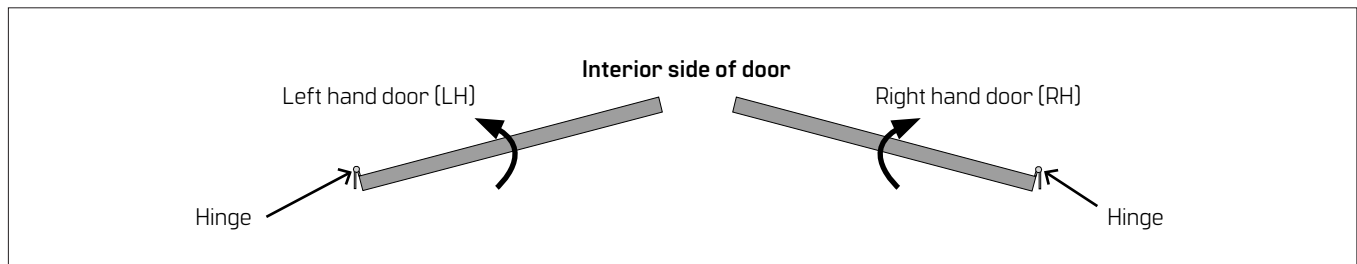
## 1.2 Tools recommended

Table 1

Drill bits:	#3 Phillips screwdriver
Metal: 7/32" drill bit; #12-24 tap	3/16" flat head screwdriver
Wood: 3/8" and 5/32" bit	5mm hex key & 3mm hex key
1/2" box wrench	7/16" box wrench

## 1.3 Handing the door

Fig.1



## 1.4 Surface closer components

The surface closer is comprised of the following components.

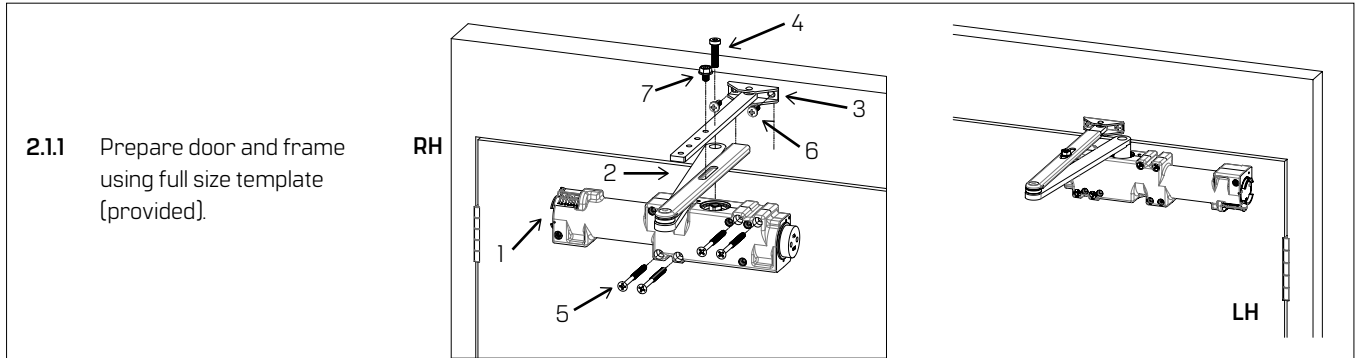
1. Closer body
2. Connecting arm\*\*
3. Bar and shoe
4. Pinion screw
5. Flat head screws
6. Pan head screws
7. Connecting arm screw
8. PA shoe screws
9. PA bracket
10. Plastic cover
11. Sex nuts
12. Plates

\*\* Main arm part number 08085330

# 2 Installation - regular mount

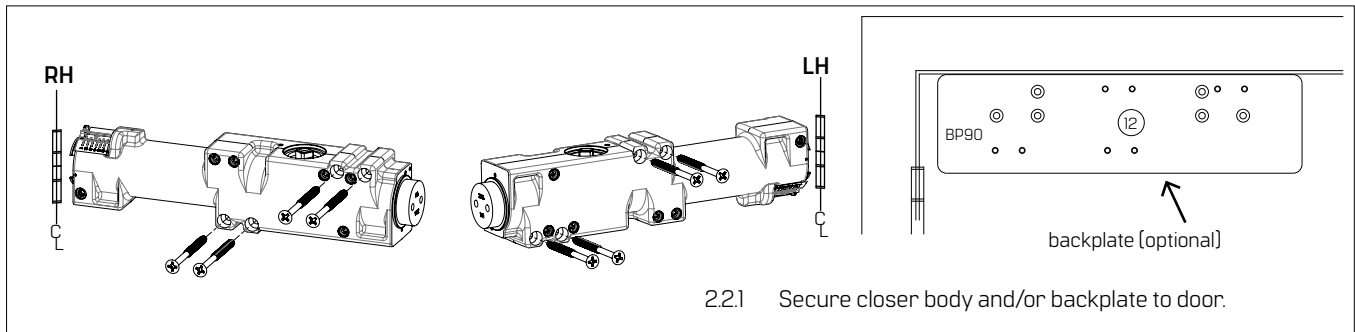
## 2.1 Surface closer system

Fig. 2



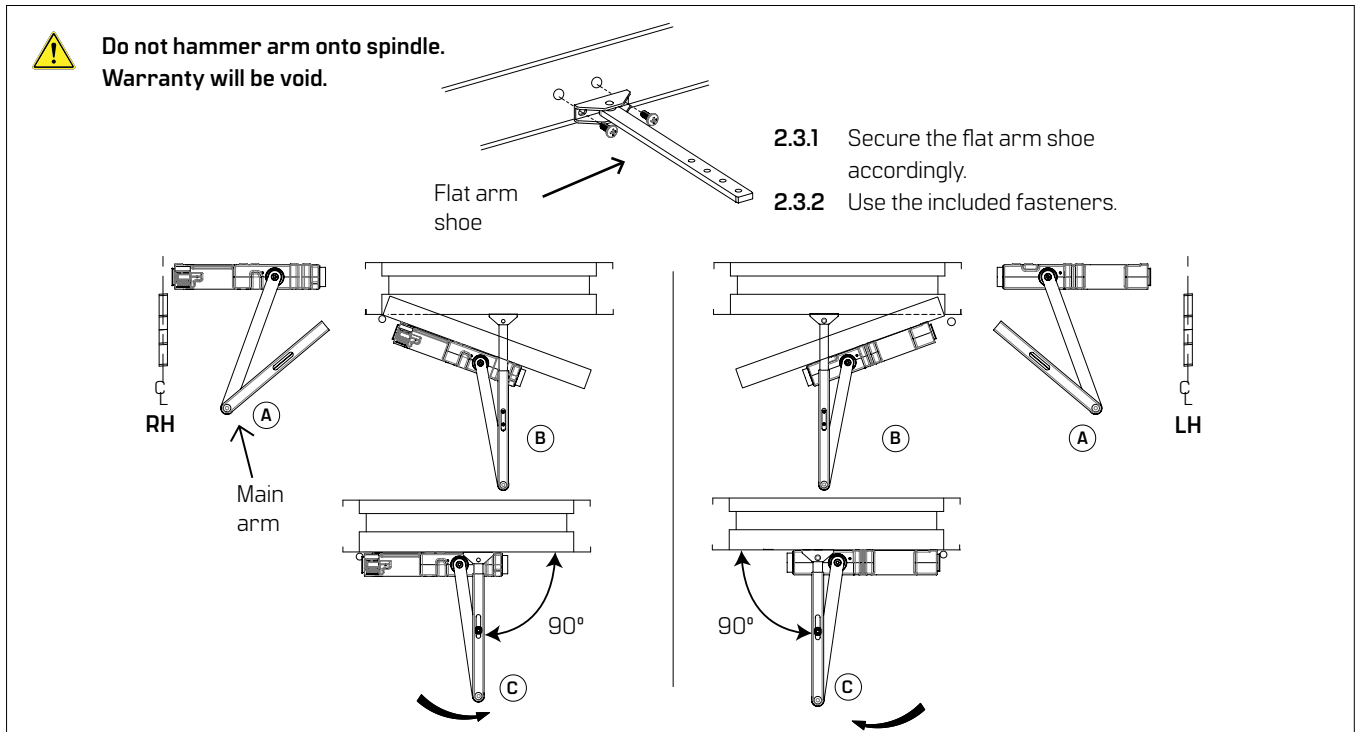
## 2.2 Installing the surface closer and backplate (optional)

Fig. 3



## 2.3 Installing main arm

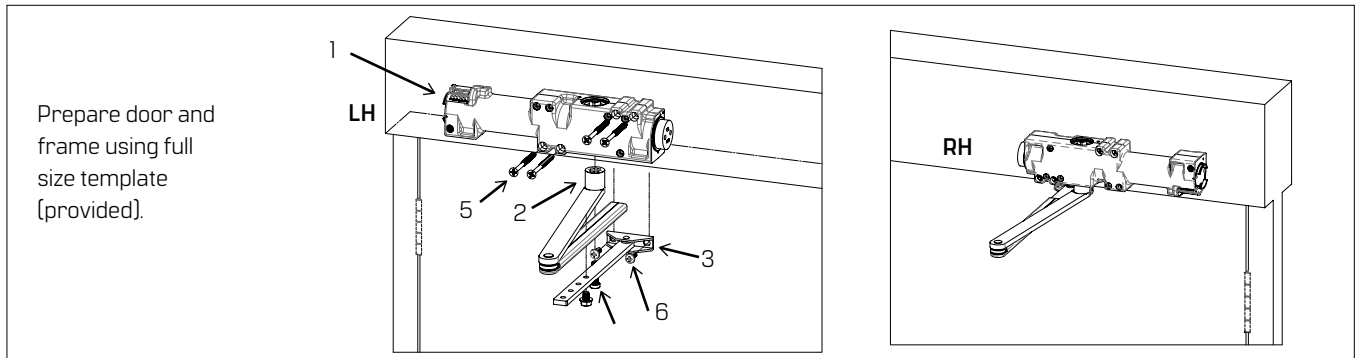
Fig. 4



# 3 Instructions - top jamb mount

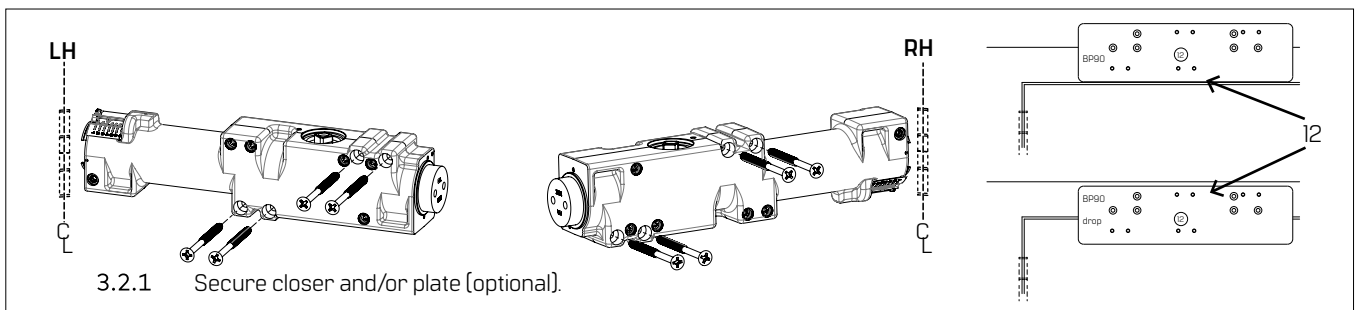
## 3.1 Surface closer system

Fig.5



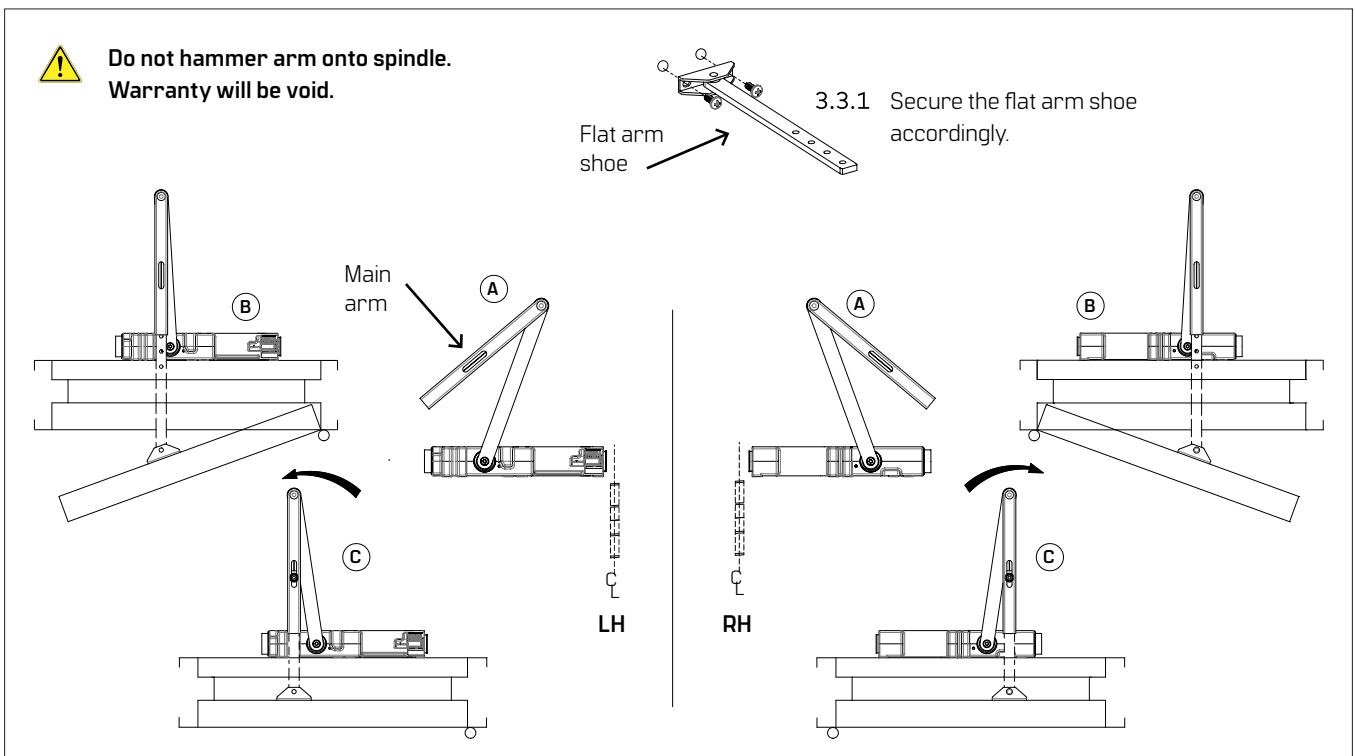
## 3.2 Installing the surface closer and plate (optional)

Fig.6



## 3.3 Installing main arm

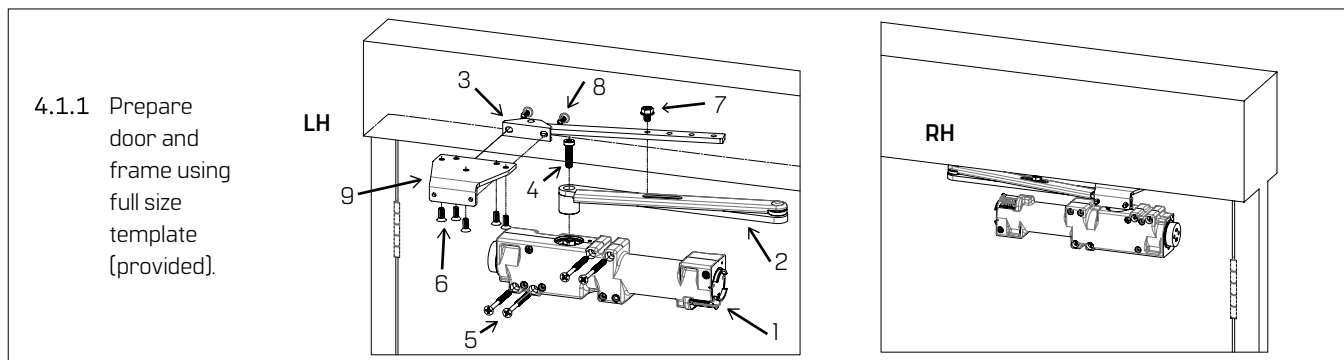
Fig.7



# 4 Instructions - parallel mount

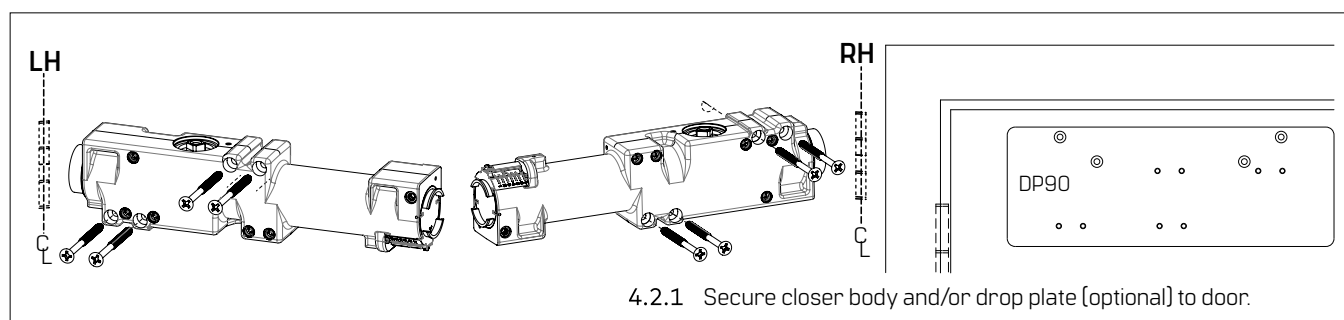
## 4.1 Surface closer system

Fig. 8



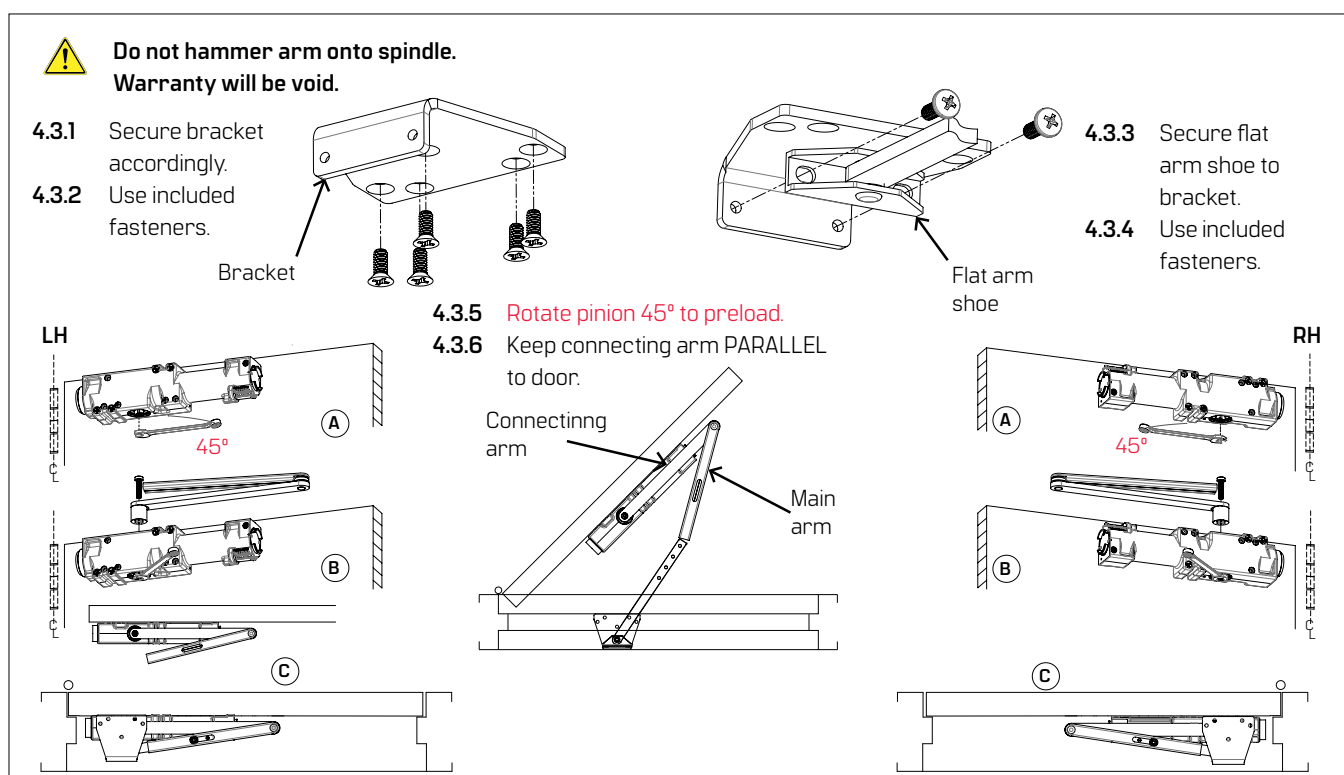
## 4.2 Installing the surface closer and drop plate (optional)

Fig. 9







## 4.3 Installing main arm

Fig. 10



# 5 Adjustments

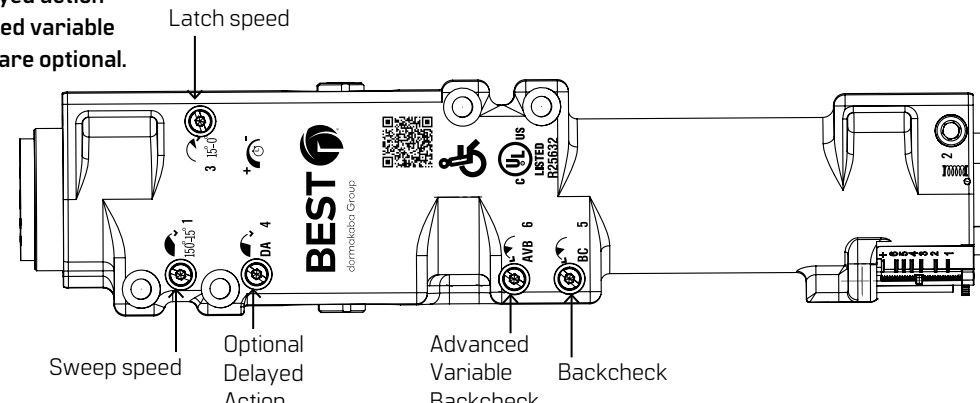
-  Confirm closer spring size prior to making any closing speed adjustments.
-  Do not back valve heads out beyond closer casting.

-  Door should close in 3 to 6 seconds from 90°.
-  Do not close valves completely.

## 5.1 Adjust closing speeds: sweep, latch, backcheck, delayed action if applicable

Fig. 11

**NOTE: Delayed action and advanced variable backcheck are optional.**



**NOTE:** Advanced variable backcheck is shipped in "ON" position.  
**NOTE:** Advanced variable backcheck must remain "ON" for parallel arm mounts.  
**NOTE:** Advanced variable backcheck will advance approximately 15° in the "ON" position.  
**NOTE:** Turn off advanced variable backcheck by rotating valve CCW.

Decrease Sweep, Latch & Delayed Action

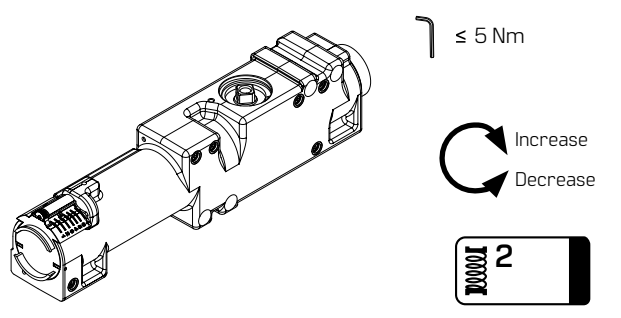
Increase Backcheck

- 5.1.1** Adjust **closing sweep speed**: 90° to start of latch speed.
- Increase sweep speed: Turn valve counter-clockwise.
  - Decrease sweep speed: Turn valve clockwise.
- 5.1.2** Adjust **closing latch speed**: 15° to close,
- Increase latch speed: Turn valve counter-clockwise.

- 5.1.3** Adjust **opening backcheck**: beginning at 80°.
- Increase resistance: Turn valve clockwise.
  - Decrease resistance: Turn valve counter-clockwise.
- 5.1.4** Increase delayed action: Turn valve counter-clockwise.
- Decrease delayed action: Turn valve clockwise.
- 5.1.5** Adjust advance variable backcheck at 50°.
- Increase resistance: Turn valve clockwise.
  - Decrease resistance: Turn valve counter-clockwise.

## 5.2 Adjust spring force


Fig. 12



≤ 5 Nm

Increase

Decrease

-  Adjust spring size by hand only. Do NOT use drill or power tools. Warranty will be void.

**Barrier free openings:** Take an opening force reading from the pull on the door. If required, adjust the spring force to meet the barrier-free requirement.

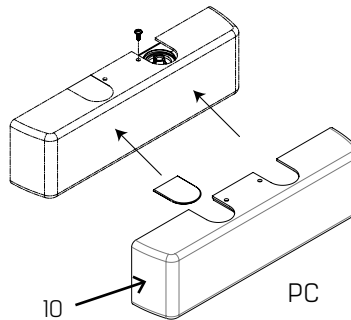
- **Decrease force:** Turn counter-clockwise.
- **Increase force:** Turn clockwise.

Depending on opening conditions, a door adjusted to meet barrier-free forces may not have sufficient power to reliably close and latch the door.

Power Adjustment	Max door weight	Door width	
		Interior	Exterior
	lbs		
1	ADA	♿	---
2	100	34"	---
3	125	38"	30"
4	150	48"	36"
5	200	54"	42"
6	250	60"	48"
6+	250	60"	48"

## 6 Install covers

Fig.13



English

**For Complete Online Instructions Visit:**

<https://dhwsupport.dormakaba.com/hc/en-us>

**For Assistance or Warranty Information:**

Call 1-800-392-5209 or visit

<https://dhwsupport.dormakaba.com/hc/en-us>



Espanol

**Para ver las instrucciones en línea, visite:**

<https://dhwsupport.dormakaba.com/hc/en-us>

**Para recibir asistencia o información sobre la garantía:**

Llame al 1-800-392-5209 o visite

<https://dhwsupport.dormakaba.com/hc/en-us>



Français

**Pour obtenir des instructions complètes en ligne, consultez le site :**

<https://dhwsupport.dormakaba.com/hc/fr-ca>

**Pour obtenir de l'aide ou des renseignements sur la garantie :**

composez le 1-800-392-5209 ou rendez-vous sur le site

<https://dhwsupport.dormakaba.com/hc/fr-ca>