

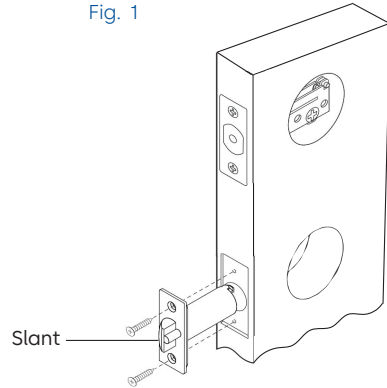
QCI 200 series interconnected locks

Installation Instructions

1 Installing latches

- 1.1 For bottom latch:
Insert latch with the slant of bolt facing in the direction that the door closes.
- 1.2 Secure latches with screws provided.

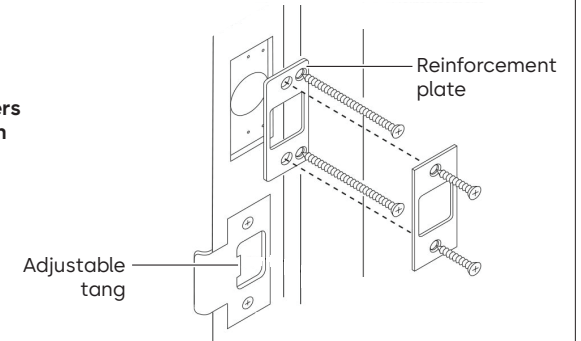
Fig. 1



2 Installing strikes

- 2.1 Install strike plates, reinforcement plate and strike boxes, if used, with screws provided.
- NOTE: A keyed lock will not lock properly if the smaller bolt of latch enters the strike hole. Reposition strike plate if required.**
- 2.2 Adjust tang to reduce minor loose door fit.

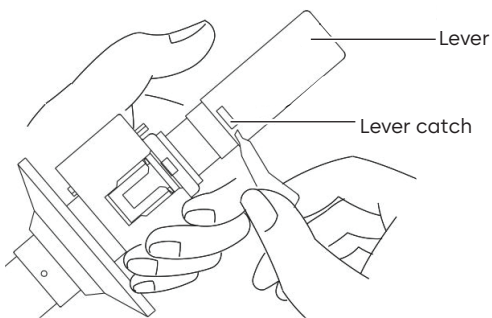
Fig. 2



3 Removing interior lever

- 3.1 With the tool provided, depress the lever catch and remove lever from shaft.

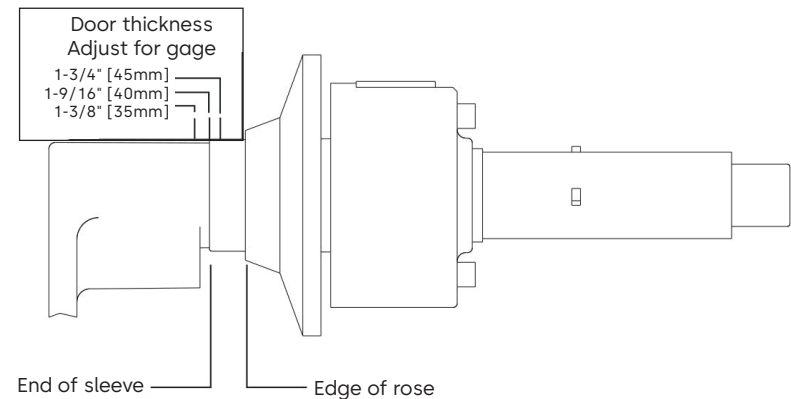
Fig. 3



4 Adjusting for door thickness

- 4.1 Place edge of gage against edge of rose as shown. If required, rotate rose in the direction that allows the end of sleeve to align with the proper door thickness line on the gage.

Fig. 4

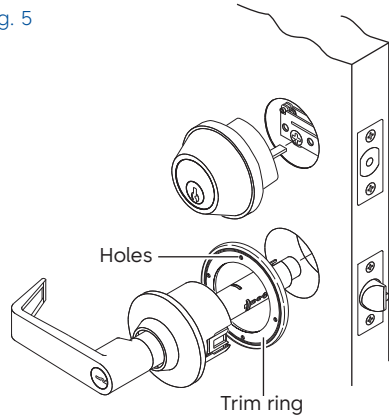


5 Installing exterior assembly

- 5.1 Place the trim ring on the exterior side of the door.

NOTE: Align the holes vertically and horizontally as shown.

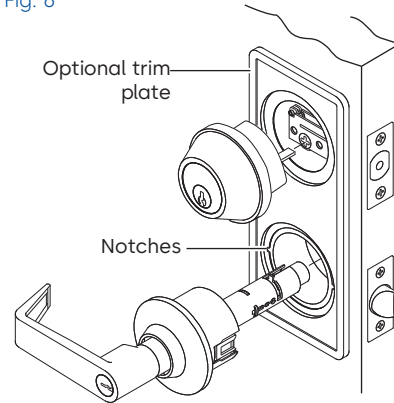
Fig. 5



- 5.2 If using the optional trim plate, place the trim plate on the exterior side of the door.

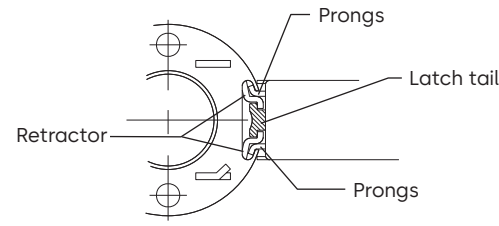
NOTE: The hole with notches mounts on the lower hole.

Fig. 6



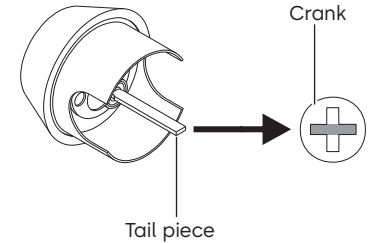
- 5.3 Install lever assembly, making sure the lock housing engages with the latch prongs and the retractor engages with the latch tail.

Fig. 7



- 5.4 Making sure deadbolt latch is in the retracted position, install deadbolt assembly by inserting tail piece horizontally into crank of latch.

Fig. 8



6 Installing interior assembly

- 6.1 Install interior liner and insert mounting screws as shown, securing exterior lever assembly and deadbolt assembly to door.

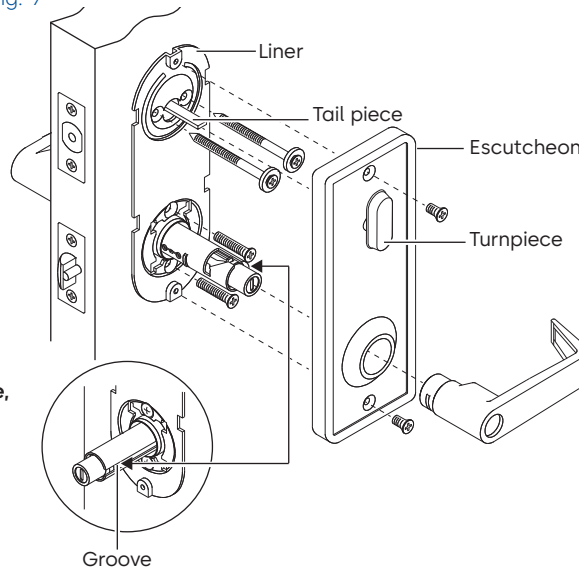
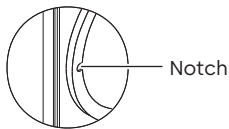
Fig. 9

- 6.2 Prepare interior escutcheon for hand of door (See Fig. 11).

- 6.3 Install interior escutcheon aligning driver tab with groove of lever shaft and allowing tail piece to slide into turn-piece slot.

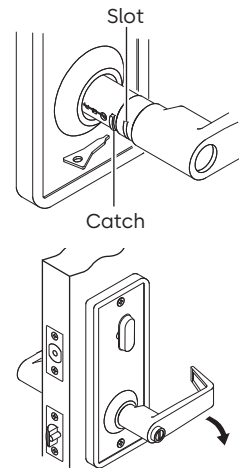
- 6.4 Secure escutcheon onto liner with screws provided.

NOTE: Pins must align within the holes or notches of the exterior trim ring, or trim plate, while tightening screws.



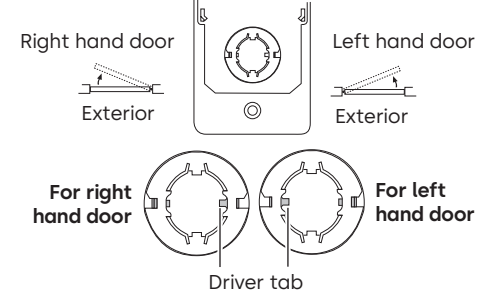
- 6.5 Install exterior lever by depressing the catch on lever shaft and sliding lever on until the catch snaps securely into the lever slot.

Fig. 10



NOTE: Using the diagram below, determine the hand of door and slide driver tab to proper position.

Fig. 11



Scan QR code to view online templates and instructions.

For assistance or warranty information:
Call 1-800-392-5209 or visit
<https://dhwsupport.dormakaba.com/hc/en-us>

