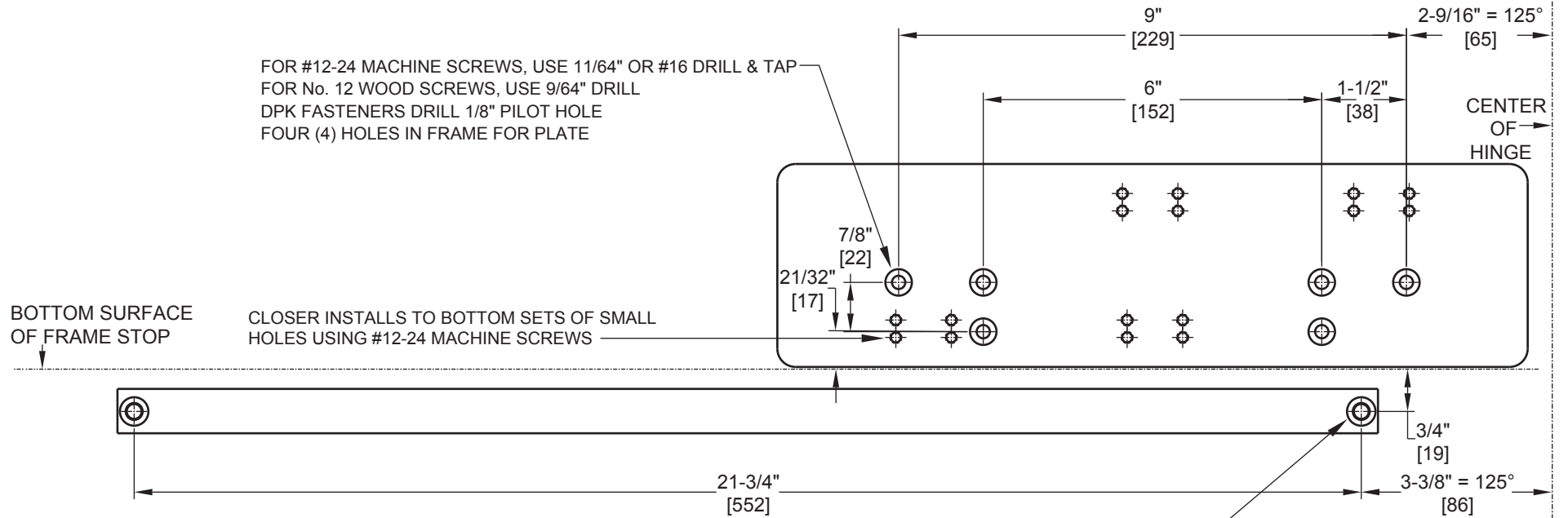


Door Closer Models: EHD9016 FT Flush Track Installation [Push Side Mount] With Backplate BP90 Drilling Instructions

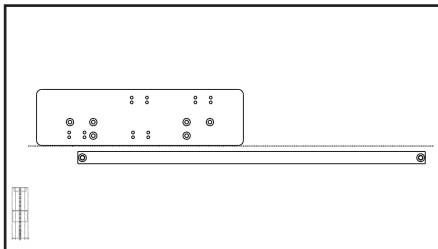
For online instructions, assistance or warranty information:
Call 1-800-392-5209 or visit <https://dhwsupport.dormakaba.com/hc/en-us>

NOTES:

- 1) DRAWING IS NOT TO SCALE.
- 2) DIMENSIONS ARE IN INCHES / [MM].
- 3) RIGHT HAND DOOR IS SHOWN.
- 4) 125° MAX OPENING IS SHOWN.
- 5) CAUTION: SEX NUTS ARE REQUIRED FOR ATTACHMENT OF COMPONENTS TO UNREINFORCED DOORS AND TO WOOD OR PLASTIC FACE COMPOSITE TYPE FIRE DOORS, UNLESS AN ALTERNATIVE METHOD IS IDENTIFIED IN THE INDIVIDUAL DOOR MANUFACTURER'S LISTINGS.
- 6) DPK FASTENERS FOR STEEL DOOR & FRAME ONLY.



LEFT HAND DOOR ORIENTATION:



FOR 1/4-20 MACHINE SCREWS, USE 13/64" OR #7 DRILL & TAP
FOR No. 14 WOOD SCREWS USE 5/32" DRILL
DPK FASTENERS DRILL 1/8" PILOT HOLE
FOR SEX NUTS USE 3/8" DRILL
TWO (2) HOLES IN DOOR FOR TRACK

Not to scale. Measurements are for reference only.
Not a drilling template.