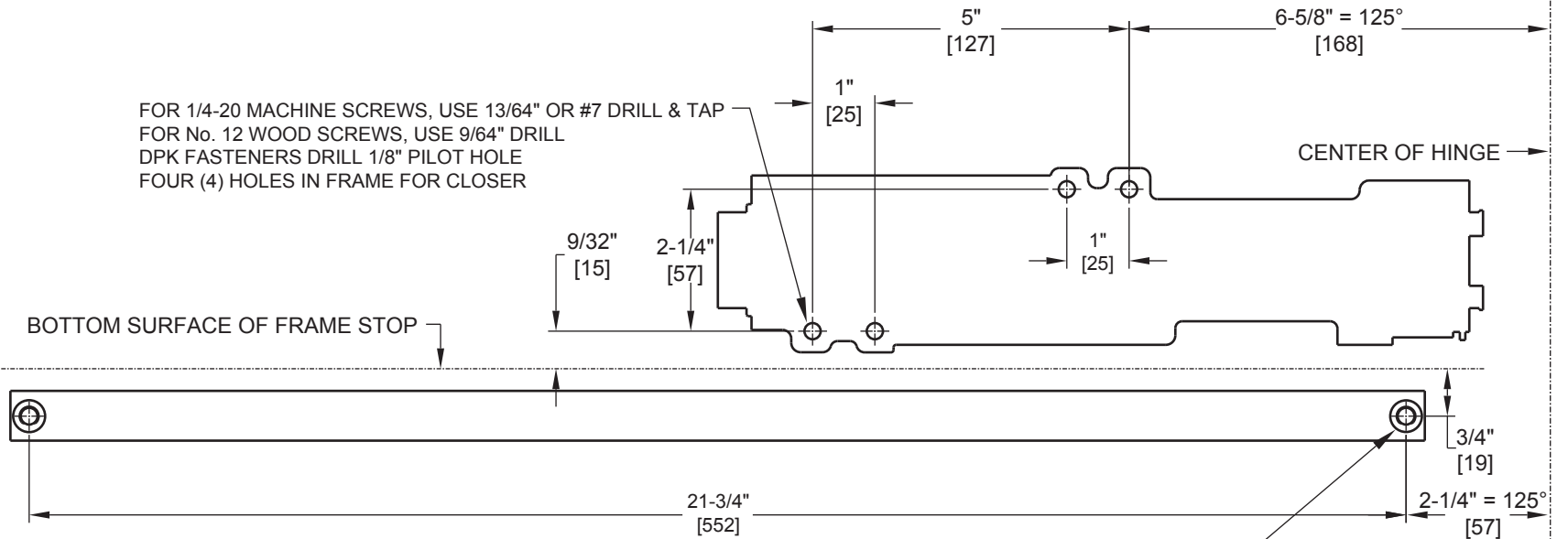


Door Closer Models: EHD9016 FTH Flush Track Installation [Push Side Mount] Drilling Instructions

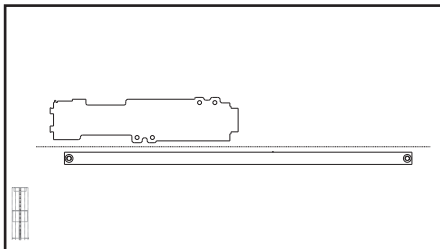
For online instructions, assistance or warranty information:
Call 1-800-392-5209 or visit <https://dhwsupport.dormakaba.com/hc/en-us>

NOTES:

- 1) DRAWING IS NOT TO SCALE.
- 2) DIMENSIONS ARE IN INCHES / [MM].
- 3) RIGHT HAND DOOR IS SHOWN.
- 4) 125° MAX OPENING IS SHOWN.
- 5) CAUTION: SEX NUTS ARE REQUIRED FOR ATTACHMENT OF COMPONENTS TO UNREINFORCED DOORS AND TO WOOD OR PLASTIC FACE COMPOSITE TYPE FIRE DOORS, UNLESS AN ALTERNATIVE METHOD IS IDENTIFIED IN THE INDIVIDUAL DOOR MANUFACTURER'S LISTINGS.
- 6) SEE CATALOG FOR HOLD OPEN RANGE INFORMATION.
- 7) DPK FASTENERS FOR STEEL DOOR & FRAME ONLY.



LEFT HAND DOOR ORIENTATION:



Not to scale. Measurements are for reference only.
Not a drilling template.