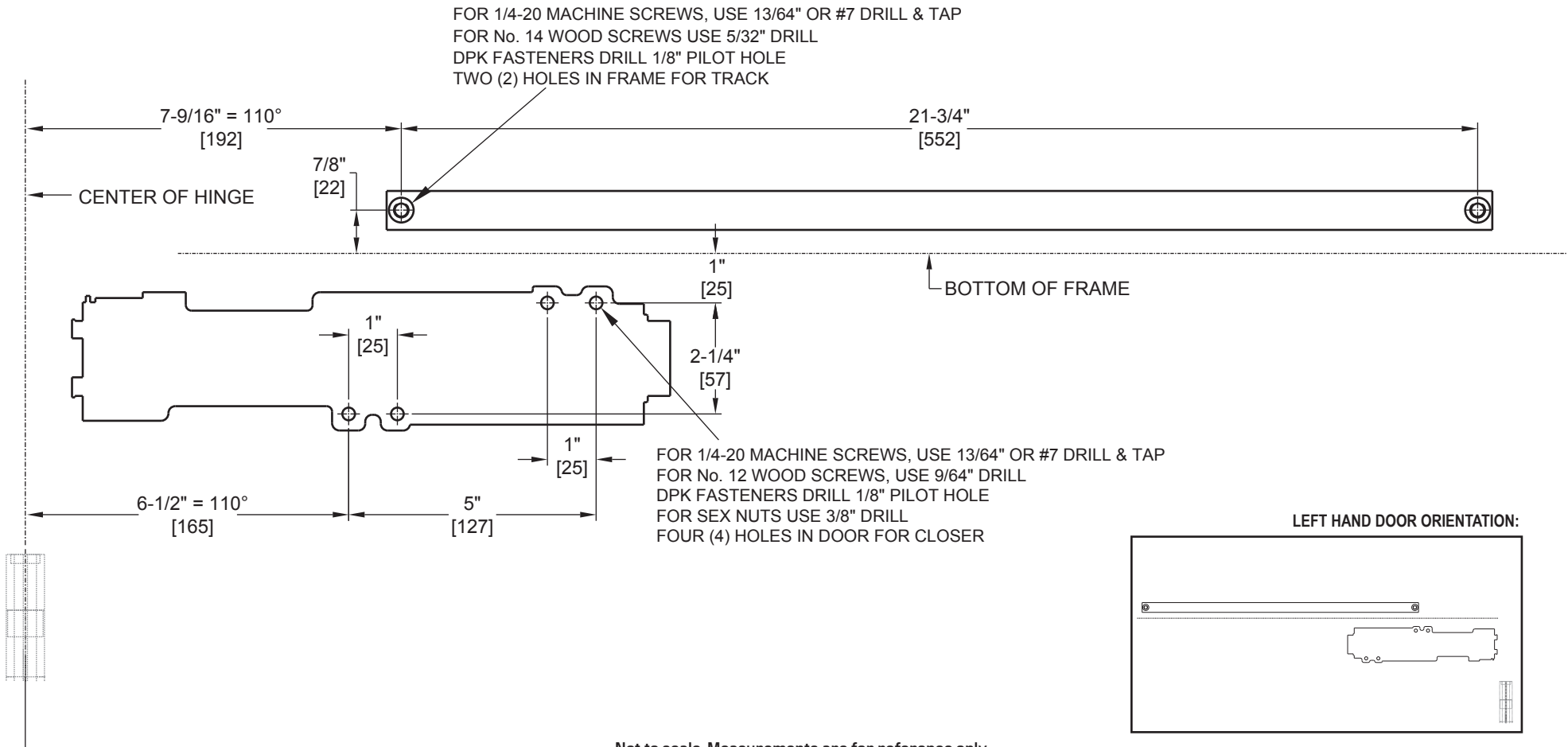


Door Closer Models: EHD9016 TDEH Double Egress Track Installation [Pull Side Mount] Drilling Instructions

For online instructions, assistance or warranty information:
Call 1-800-392-5209 or visit <https://dhwsupport.dormakaba.com/hc/en-us>

NOTES:

- 1) DRAWING IS NOT TO SCALE.
- 2) DIMENSIONS ARE IN INCHES / [MM].
- 3) RIGHT HAND DOOR IS SHOWN.
- 4) 110° MAX OPENING IS SHOWN.
- 5) CAUTION: SEX NUTS ARE REQUIRED FOR ATTACHMENT OF COMPONENTS TO UNREINFORCED DOORS AND TO WOOD OR PLASTIC FACE COMPOSITE TYPE FIRE DOORS, UNLESS AN ALTERNATIVE METHOD IS IDENTIFIED IN THE INDIVIDUAL DOOR MANUFACTURER'S LISTINGS.
- 5) TEMPLATE FOR 4-1/2" WIDE HINGES OR 3/4" OFFSET PIVOTS.
- 6) MINIMUM DOOR WIDTH 30".
- 7) WHEN OPENING DOOR TO 90° A MINIMUM OF 3-3/4" OF CLEARANCE IS REQUIRED BETWEEN DOOR FACE AND WALL.
- 8) SEE CATALOG FOR HOLD OPEN RANGE INFORMATION.
- 9) DPK FASTENERS FOR STEEL DOOR & FRAME ONLY.



Not to scale. Measurements are for reference only.
Not a drilling template.