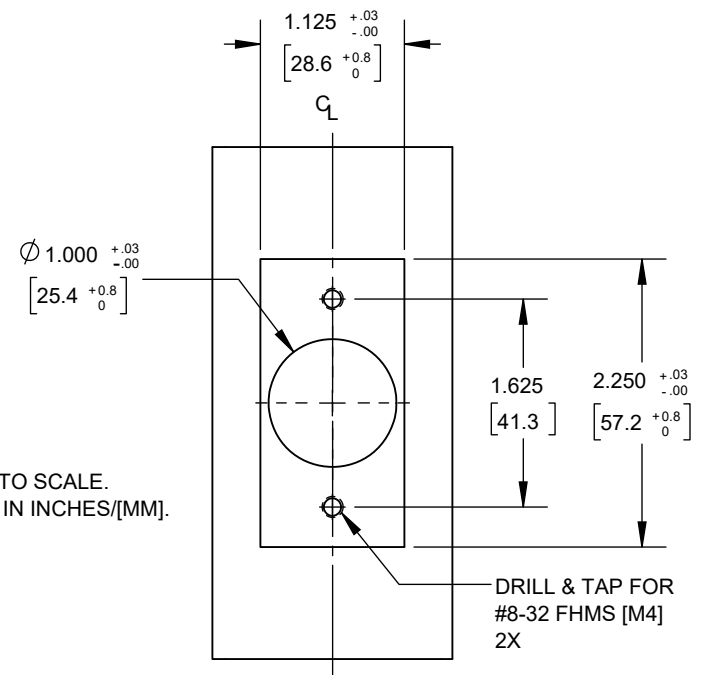


- NOTES:  
 1. DRAWING IS NOT TO SCALE.  
 2. DIMENSIONS ARE IN INCHES/[MM].



NOT TO SCALE. MEASUREMENTS ARE FOR REFERENCE ONLY. NOT A DRILLING TEMPLATE.

METAL DOOR FOR:  
 D881

