

1 Technical specifications

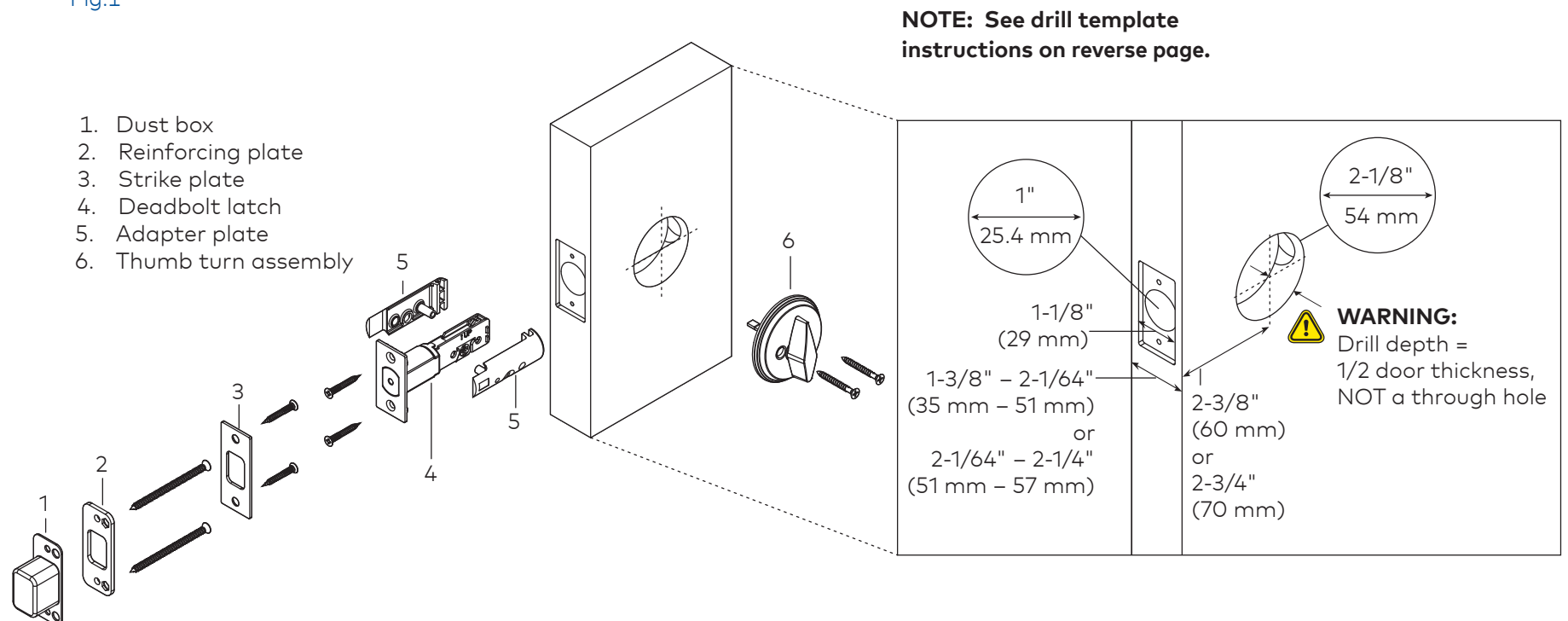
1.1 Tools recommended

Table 1

Drill	Spade bit: 1" (25.4 mm)	#2 and #3 Phillips screwdriver	Pencil
Drill bit: 3/32" (2.4 mm)	2-1/8" (54 mm) hole saw	Level	Ruler
Drill bit: 1/8" (3 mm)	1" (25.4 mm) wood chisel	Center punch	

1.2 Overview

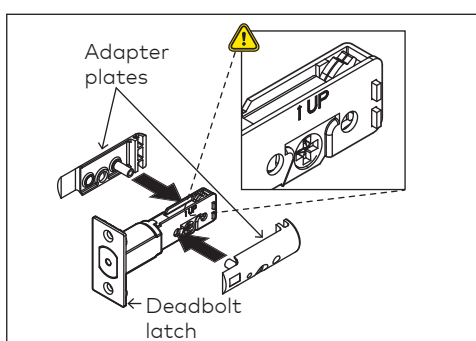
Fig.1



2 Installation instructions

2.1 Install adapter plate.

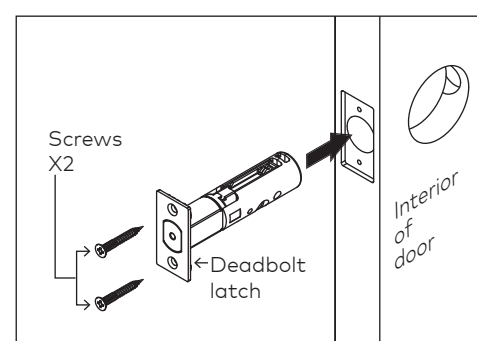
Fig.2



- 2.1.1 Orient the deadbolt latch with the word 'UP' toward the top.
- 2.1.2 Align the adapter plates with the deadbolt latch and secure.

2.2 Install deadbolt latch.

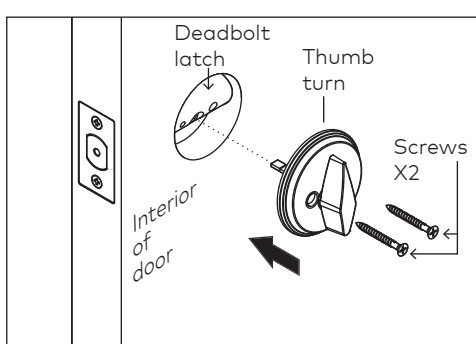
Fig.3



- 2.2.1 Insert the deadbolt latch into the hole.
- 2.2.2 Secure the deadbolt latch to the door with screws and tighten.

2.3 Install thumb turn.

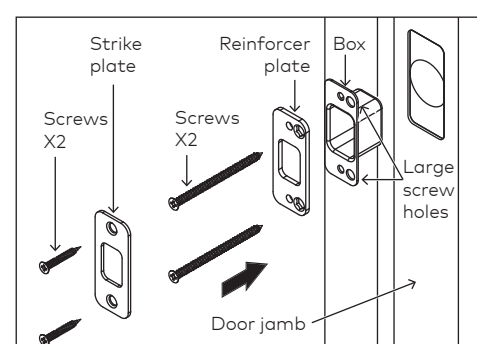
Fig.4



- 2.3.1 Mount the thumb turn assembly to the door, inserting the tail piece into the deadbolt latch crank in the horizontal position.
- 2.3.2 Secure the screws, engaging the exterior assembly and tighten.

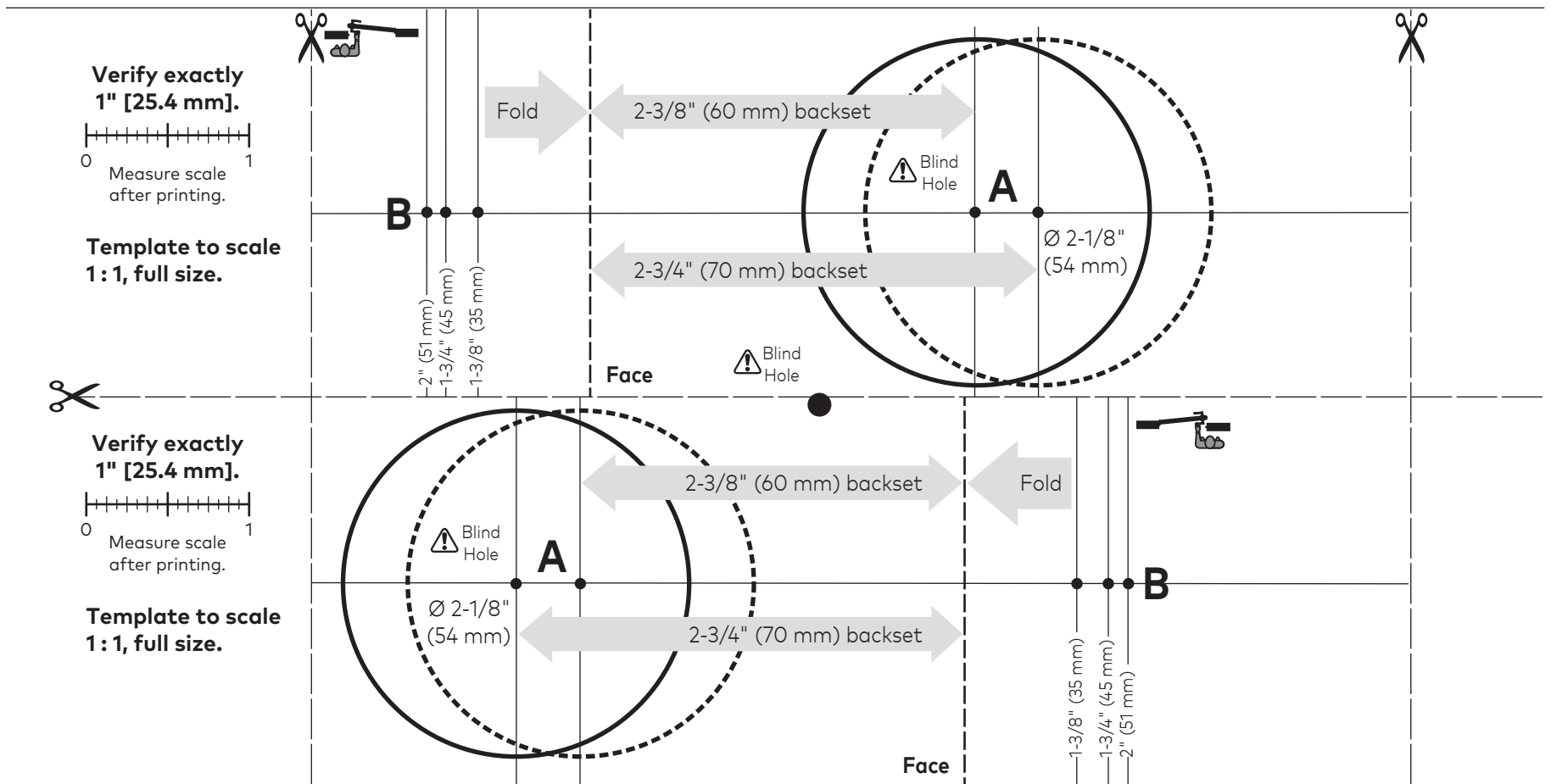
2.4 Install box, reinforcer plate and strike.

Fig.5



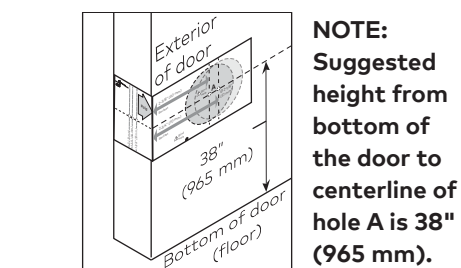
- 2.4.1 Mount the box and the reinforcer plate on the door jamb with the large screw holes oriented toward the door stop.
- 2.4.2 Secure the box and the reinforcer plate to the door jamb with the screws and tighten.
- 2.4.3 Install the strike plate using the screws and tighten.

3 Drilling template



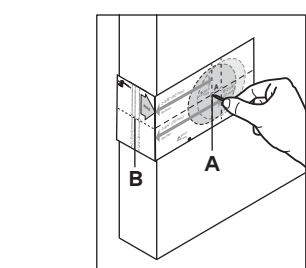
4 Drilling and door prep instructions

4.1 Select template.



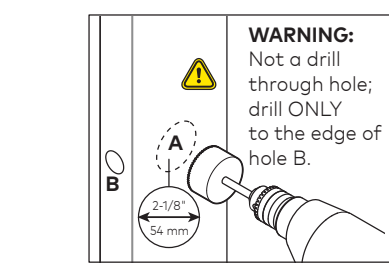
- 4.1.1 Select the appropriate template.
- 4.1.2 Fold the template and place it in position on the high edge of the door bevel.

4.2 Center punch holes.



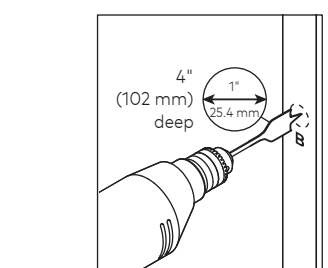
- 4.2.1 Determine the backset of the deadbolt latch and center punch hole A.
- 4.2.2 Determine the drill point of the center of the door edge and center punch hole B.

4.3 Drill hole A.



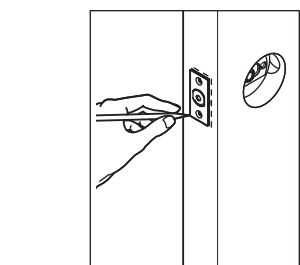
- 4.3.1 Drill a 2-1/8" (54 mm) dia. hole, 1/2" (13 mm) deep, 1/2 the thickness of the door for hole A.

4.4 Drill hole B.



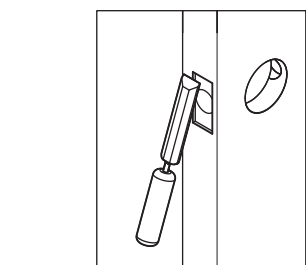
- 4.4.1 Drill a 1" (25.4 mm) dia. hole, 4" (102 mm) deep for hole B.

4.5 Trace faceplate.



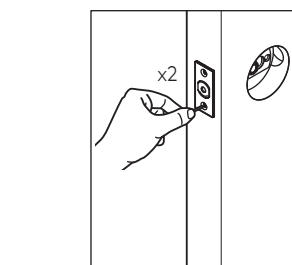
- 4.5.1 Trace the outline of the faceplate and remove the latch.

4.6 Chisel mortise area.



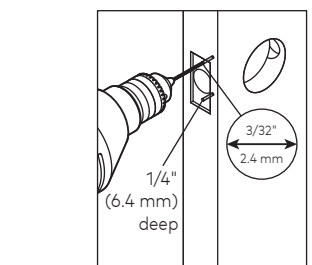
- 4.6.1 Chisel to a depth of 5/32" (4 mm) or until the faceplate is flush with the door edge.

4.7 Mark holes.



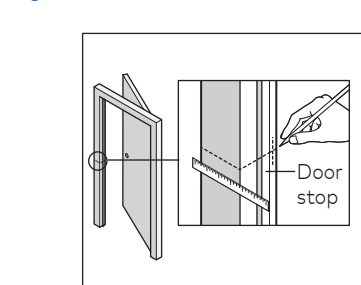
- 4.7.1 Position the faceplate on the door edge and mark the two screw holes.

4.8 Drill faceplate holes.



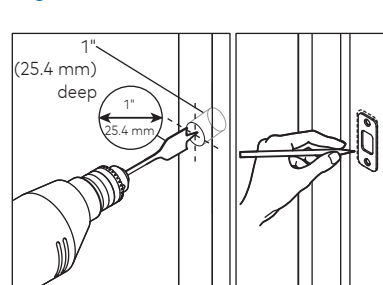
- 4.8.1 Drill two 3/32" (2.4 mm) dia. holes, 1/4" (6.4 mm) deep.

4.9 Mark center of strike.



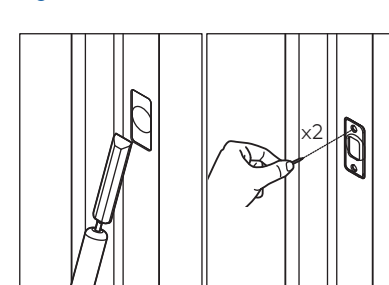
- 4.9.1 Locate and mark the center of the strike by measuring back from the door stop, 1/2 the thickness of the door.

4.10 Drill strike hole. Trace strike outline.



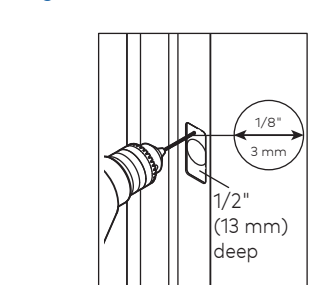
- 4.10.1 Drill a 1" (25.4 mm) dia. hole, 1" (25.4 mm) deep.
- 4.10.2 Trace the outline of the strike.

4.11 Chisel mortise area. Mark holes.



- 4.11.1 Chisel to a depth of 5/64" (2 mm) or until the strike is flush with the door jamb.
- 4.11.2 Position the strike on the door jamb and mark the two screw holes.

4.12 Drill strike holes.



- 4.12.1 Drill two 1/8" (3 mm) dia. holes, 1-1/2" (38.1 mm) deep.



For online instructions visit:
<https://dhwsupport.dormakaba.com/hc/en-us>
 For assistance or warranty information:
 Call 1-800-392-5209 or visit
<https://dhwsupport.dormakaba.com/hc/en-us>