

Installation Strike Specifications for 82T/83T Tubular Deadbolt Locks

Template Number: T08

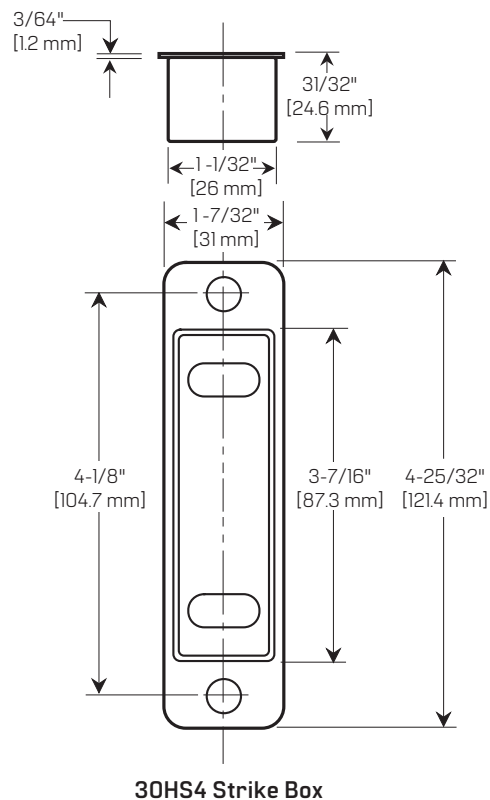
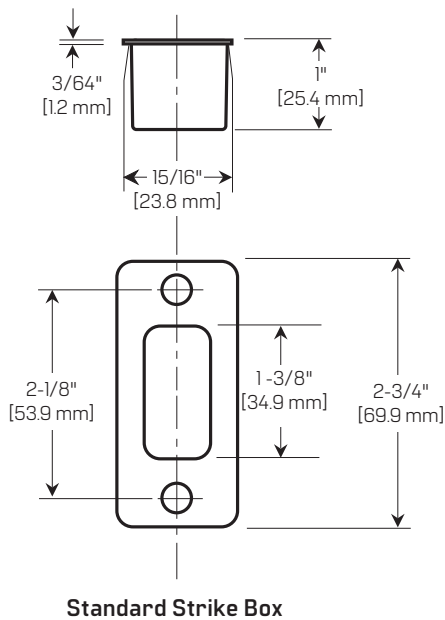
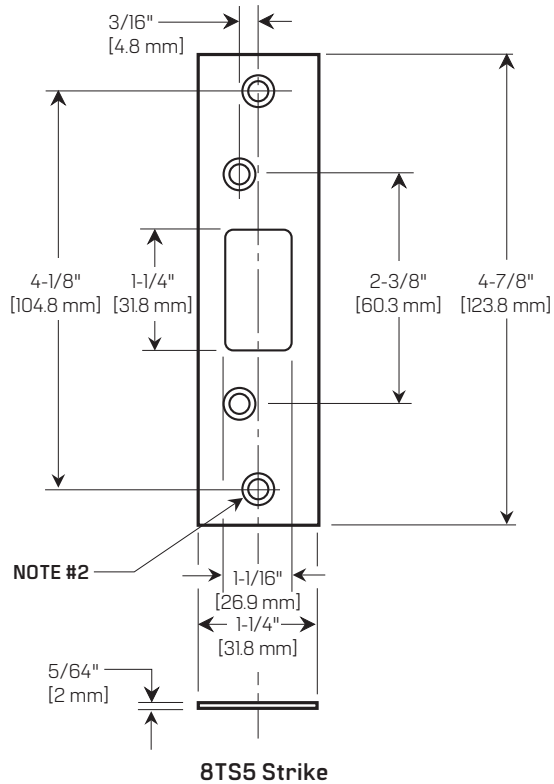
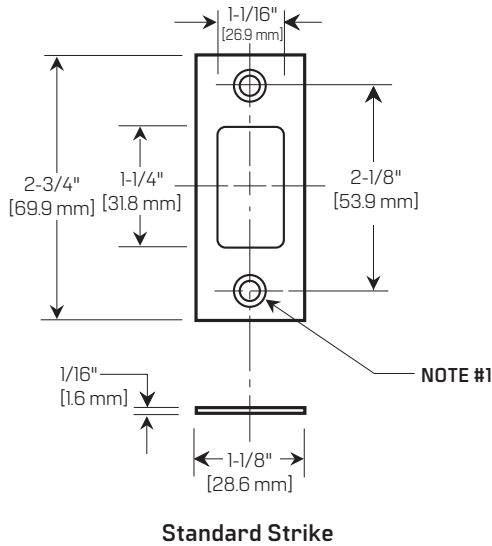
Series: 82T/83T

Backset: 2-3/8" [60.3 mm] and 2-3/4" [69.9 mm]

Door Thickness: 1-3/8" [34.9 mm] to 3" [76.2 mm]

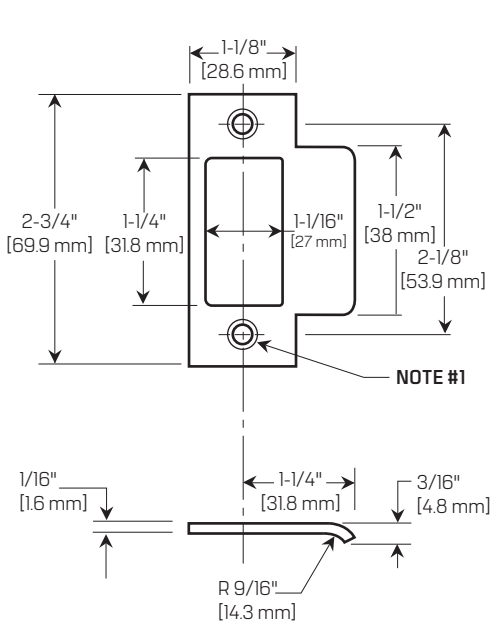
NOTES

1. Prepare for a #8-32 screw.
2. Prepare for a #12-24 screw.
3. Allow plus tolerance for clearance per ANSI A115.2.

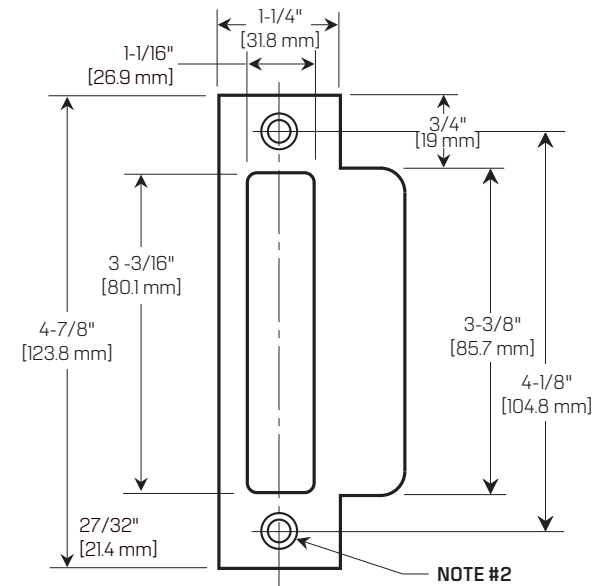


Installation Strike Specifications for 82T/83T Tubular Deadbolt Locks

For online instructions, assistance or warranty information:
 Call 1-800-392-5209 or visit <https://dhwsupport.dormakaba.com/hc/en-us>



8TS4 Strike



8TS1 Strike