

Installation Instructions: Door Position Monitoring Switch DS880 - Wide Stile, NDS986 - Narrow Stile

For online instructions, assistance or warranty information:
Call 1-800-392-5209 or visit <https://dhwsupport.dormakaba.com/hc/en-us>

NOTE:

The door should be prepared according to the Exit Device Installation Instructions.

1. Close door and extend Horizontal Centerline of the Mounting Bracket to the frame as shown. Mark centers then drill and tap the frame as shown.
2. Thread the magnet into the Mounting Plate and secure with the Locknut.
3. Mount the plate with the Magnet into the frame with the two #10-24 M.S. screws.
4. Thread the Switch into the Mounting Bracket and secure with the Locknut.
5. If already installed, remove the standard Device Endcap and the Mounting Bracket.
6. Install the Mounting Bracket with the Door Position Switch, along with the End Cap.
7. With the door closed, confirm that space between the Magnet and Switch is 1/16" - 1/8", adjust if needed.

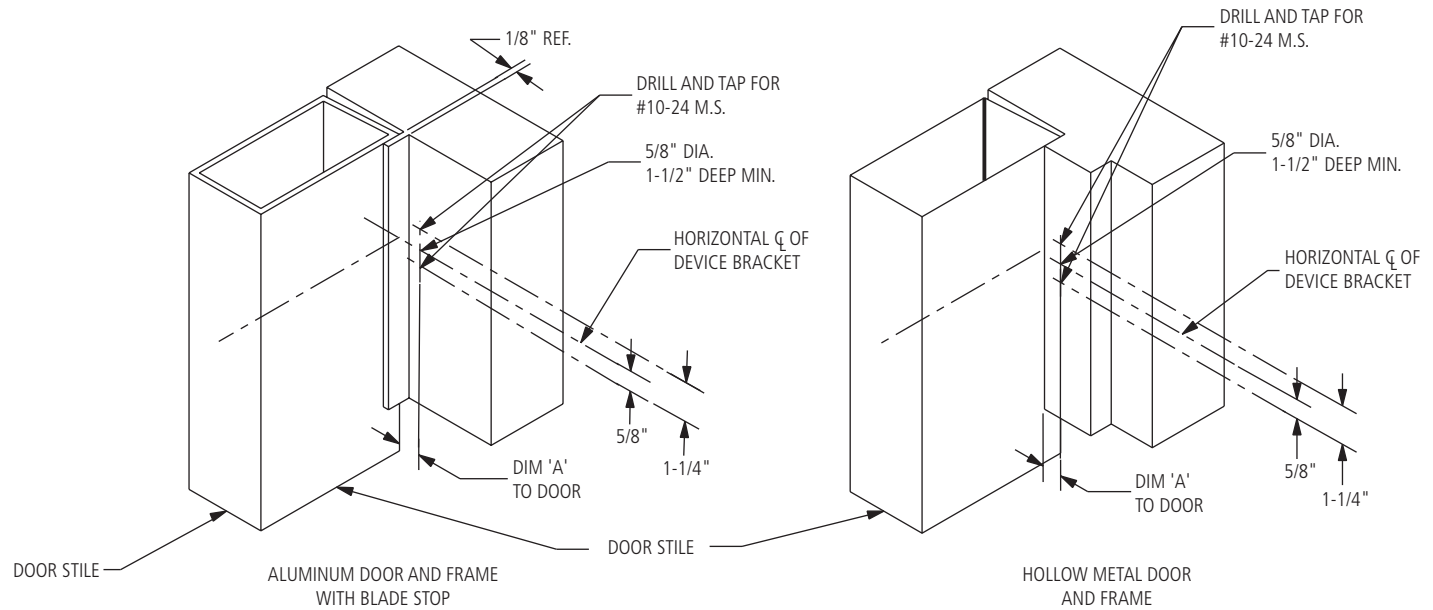
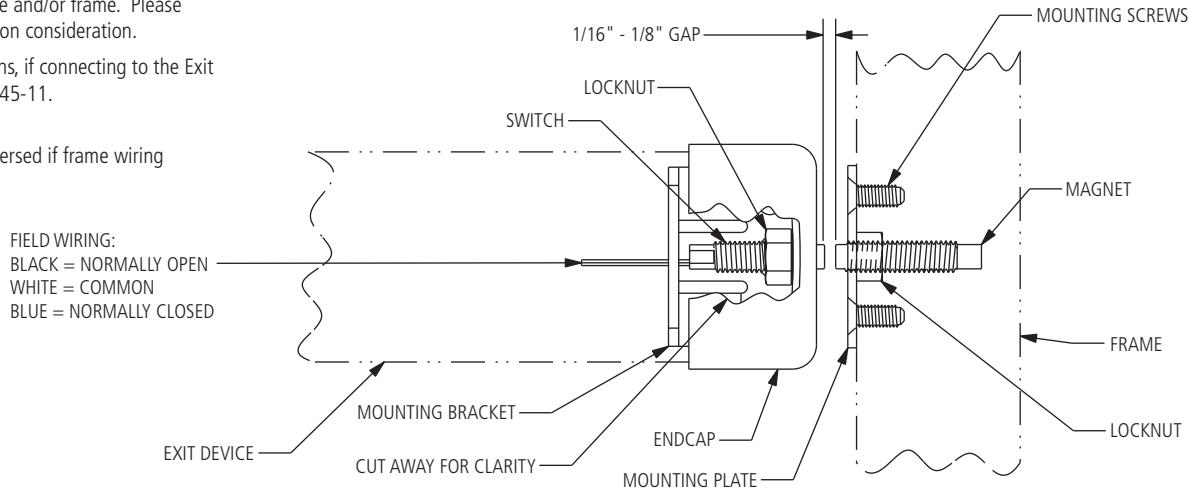
NOTE:

Recommended gap between the magnet and the door position switch in installed position is 1/16" - 1/8". Please consider the distance between exit device end cap and frame. Depending on your application, the strike, and the template used, the switch and magnet can be adjusted and may extend from the device and/or frame. Please consult the factory for installation consideration.

8. Wire the electrical connections, if connecting to the Exit Alarm Kit, see drawing no. 02345-11.

NOTE:

Switch and Magnet may be reversed if frame wiring is desired.



DIMENSION 'A'		
DEVICE TYPE	ALUMINUM	HOLLOW METAL
WIDE STILE	1-1/16"	1-1/16"
NARROW STILE	13/16"	13/16"

ELECTRICAL RATING: 1.5 AMPS @ 24 VDC

Not to scale 1:1. Measurements are for reference only.
Not a drilling template.