

Door Closer Models: EHD9016 ISJH Top Jamb Installation [Push Side Mount] With Backplate BP90 Integra Cushion Arm, Mounted Drop Style Drilling Instructions

For online instructions, assistance or warranty information:
Call 1-800-392-5209 or visit <https://dhwsupport.dormakaba.com/hc/en-us>

NOTES:

- 1) DRAWING IS NOT TO SCALE.
- 2) DIMENSIONS ARE IN INCHES / [MM].
- 3) RIGHT HAND DOOR IS SHOWN.
- 4) 100° MAX OPENING IS SHOWN.
- 5) CAUTION: SEX NUTS ARE REQUIRED FOR ATTACHMENT OF COMPONENTS TO UNREINFORCED DOORS AND TO WOOD OR PLASTIC FACE COMPOSITE TYPE FIRE DOORS, UNLESS AN ALTERNATIVE METHOD IS IDENTIFIED IN THE INDIVIDUAL DOOR MANUFACTURER'S LISTINGS.
- 6) DPK FASTENERS FOR STEEL DOOR & FRAME ONLY.
- 7) SEE CATALOG FOR REVEAL INFORMATION.

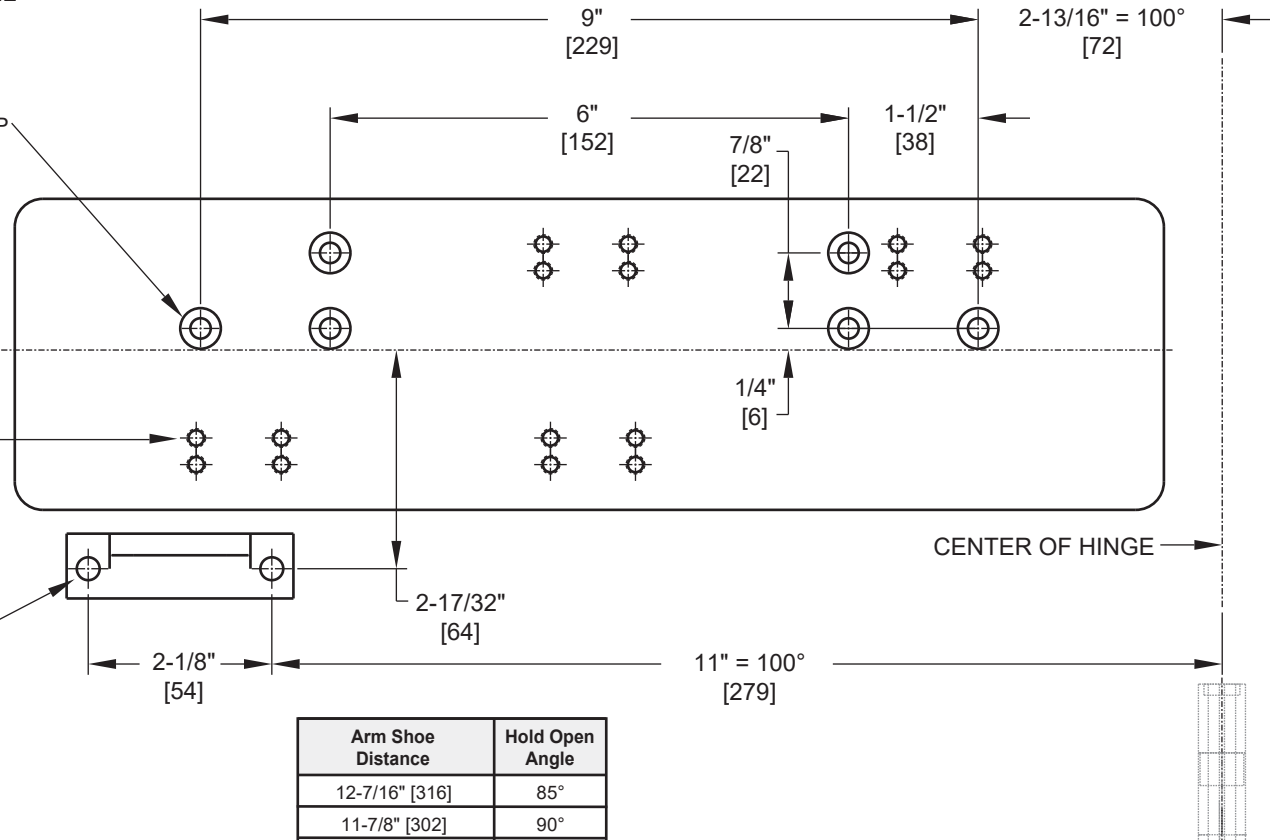
Backplate Distance	Hold Open Angle
4-1/4" [108]	85°
3-11/16" [94]	90°
3-3/16" [81]	95°
2-13/16" [72]	100°

FOR 12-24 MACHINE SCREWS, USE 11/64" OR #16 DRILL & TAP
FOR No. 12 WOOD SCREWS, USE 9/64" DRILL
DPK FASTENERS DRILL 1/8" PILOT HOLE
FOUR (4) HOLES IN FRAME FOR PLATE

BOTTOM OF FRAME

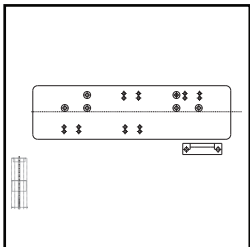
CLOSER INSTALLS TO TOP SETS OF SMALL HOLES USING #12-24 MACHINE SCREWS

FOR 1/4-20 MACHINE SCREWS, USE 13/64" OR #7 DRILL & TAP
FOR No. 14 WOOD SCREWS, USE 5/32" DRILL
FOR DPK FASTENERS, USE 1/8" DRILL
FOR SEX NUTS, USE 3/8" DRILL
TWO (2) HOLES IN DOOR FOR ARM SHOE



Arm Shoe Distance	Hold Open Angle
12-7/16" [316]	85°
11-7/8" [302]	90°
11-3/8" [289]	95°
11" [279]	100°

LEFT HAND DOOR ORIENTATION:



Not to scale. Measurements are for reference only.
Not a drilling template.