

Door Closer Models: EHD9016 SISJH Top Jamb Installation [Push Side Mount] Spring Integra Cushion Arm Drilling Instructions

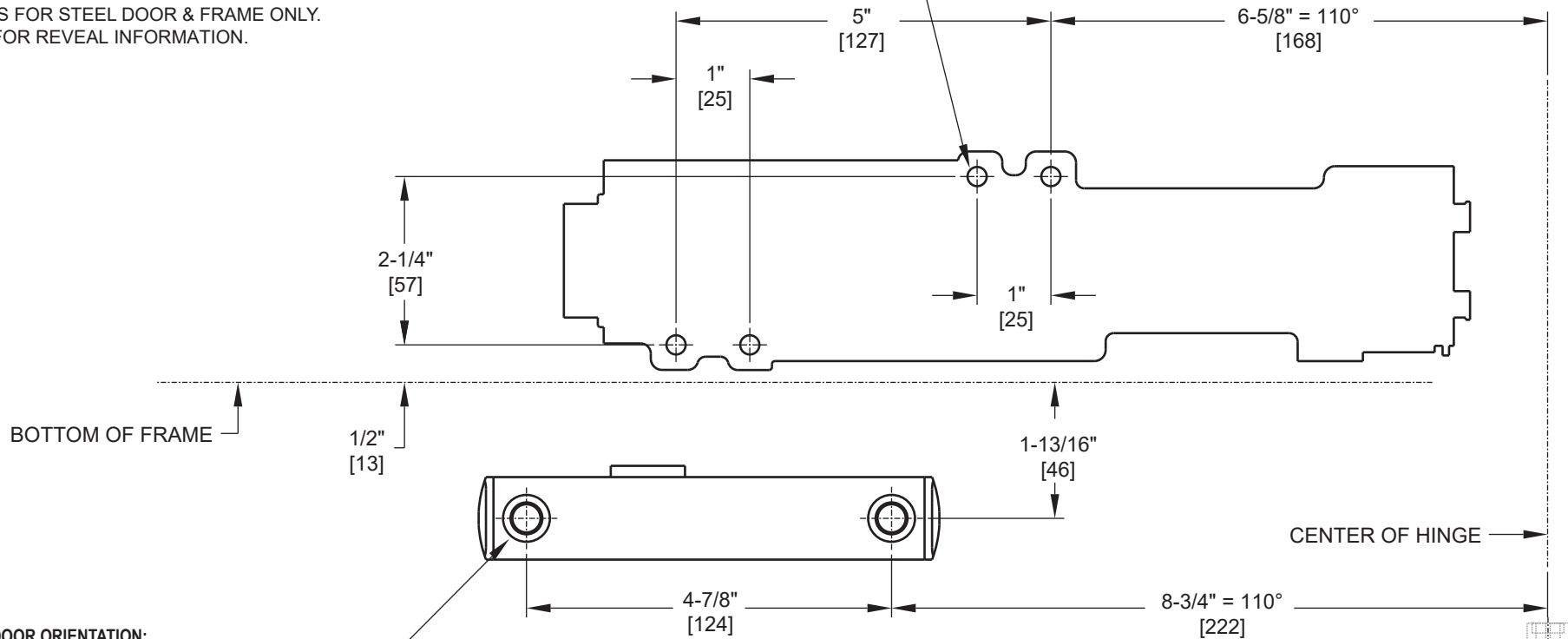
For online instructions, assistance or warranty information:
Call 1-800-392-5209 or visit <https://dhwsupport.dormakaba.com/hc/en-us>

NOTES:

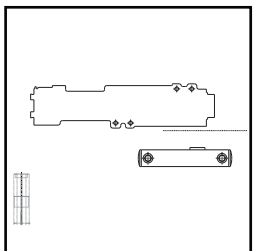
- 1) DRAWING IS NOT TO SCALE.
- 2) DIMENSIONS ARE IN INCHES / [MM].
- 3) RIGHT HAND DOOR IS SHOWN.
- 4) 110° MAX OPENING IS SHOWN.
- 5) CAUTION: SEX NUTS ARE REQUIRED FOR ATTACHMENT OF COMPONENTS TO UNREINFORCED DOORS AND TO WOOD OR PLASTIC FACE COMPOSITE TYPE FIRE DOORS, UNLESS AN ALTERNATIVE METHOD IS IDENTIFIED IN THE INDIVIDUAL DOOR MANUFACTURER'S LISTINGS.
- 6) DPK FASTENERS FOR STEEL DOOR & FRAME ONLY.
- 7) SEE CATALOG FOR REVEAL INFORMATION.

FOR 1/4-20 MACHINE SCREWS, USE 13/64" OR #7 DRILL & TAP
FOR No. 12 WOOD SCREWS, USE 9/64" DRILL
FOR DPK FASTENERS, USE 1/8" DRILL
FOUR (4) HOLES IN FRAME FOR CLOSER

Closer Distance	Hold Open Angle
8-5/8" [219]	85°
8-1/8" [206]	90°
7-1/4" [184]	100°
6-5/8" [168]	110°



LEFT HAND DOOR ORIENTATION:



FOR 1/4-20 MACHINE SCREWS, USE 13/64" OR #7 DRILL & TAP
FOR No. 12 WOOD SCREWS, USE 9/64" DRILL
FOR DPK FASTENERS, USE 1/8" DRILL
FOR SEX NUTS, USE 3/8" DRILL
TWO (2) HOLES IN DOOR FOR ARM SHOE

Arm Shoe Distance	Hold Open Angle
10-3/4" [273]	85°
10-1/4" [260]	90°
9-3/8" [238]	100°
8-3/4" [222]	110°

Not to scale. Measurements are for reference only.
Not a drilling template.